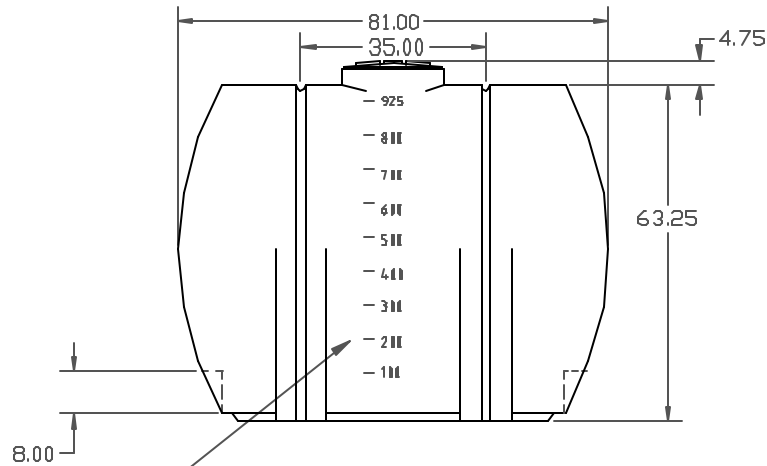
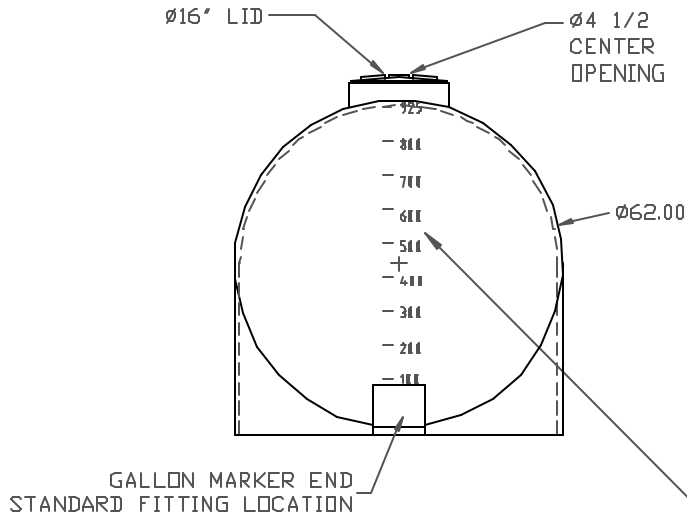


PROPRIETARY DATA

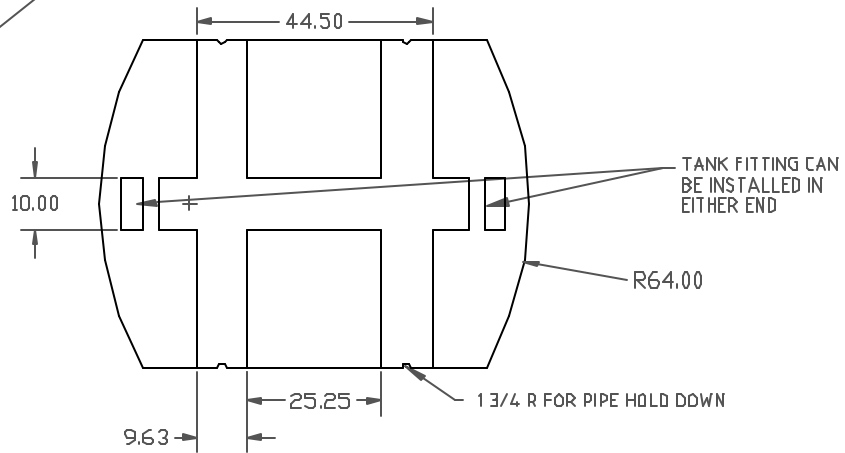
PROPERTY OF ACE ROTO-MOLD MFG., INC. INFORMATION FURNISHED HEREIN IS THE PROPERTY OF ACE ROTO-MOLD MFG., INC. AND SHALL NOT BE USED, DISCLOSED TO OTHERS, OR COPIED WITHOUT THE EXPRESSED WRITTEN CONSENT OF ACE ROTO-MOLD MFG., INC. ALL RIGHTS RESERVED.

FS0925-DW

B



FRONT AND LEFT SIDE OF TANK ARE MARKED IN GALLONS



		DRAWN / DATE		MATERIAL
B	CLARIFY STANDARD FITTING LOCATION	CCN1294 11/16/06	DHJ 3/15/94	HOPE OR EQUIVALENT REFERENCE MATERIAL DATA SHEET FOR SPECIFIC PROPERTIES.
A	NEW DRAWING FORMAT	11/11/15 NVE	APPRD. / DATE	
REV	DESCRIPTION	DATE	APPRD	
		THIRD ANGLE PROJECTION	ANSI 14.5M	NOTES:
ALL DIMENSIONS ARE IN DECIMAL INCHES TOLERANCES UNLESS OTHERWISE SPECIFIED ± 1% @ 68° F				<ol style="list-style-type: none"> <li>1. WHITE AND YELLOW COLOR</li> <li>2. SHDT WEIGHT 298 LBS.</li> <li>3. OPTIONAL 1", 1.5", 2", OR 3" FITTING</li> <li>4. NOM. WALL 1.361</li> </ol>



**Ace Roto-Mold**

A DIVISION OF DEN HARTOG INDUSTRIES, INC.  
4018 HWY. 50 BLVD., BOX 421, HOSPERS, IOWA 51238

CLIENT / DESCRIPTION

925 GALLON FREE-STANDING TANK

SCALE

N.S.

PART NO.

FS0925-DW