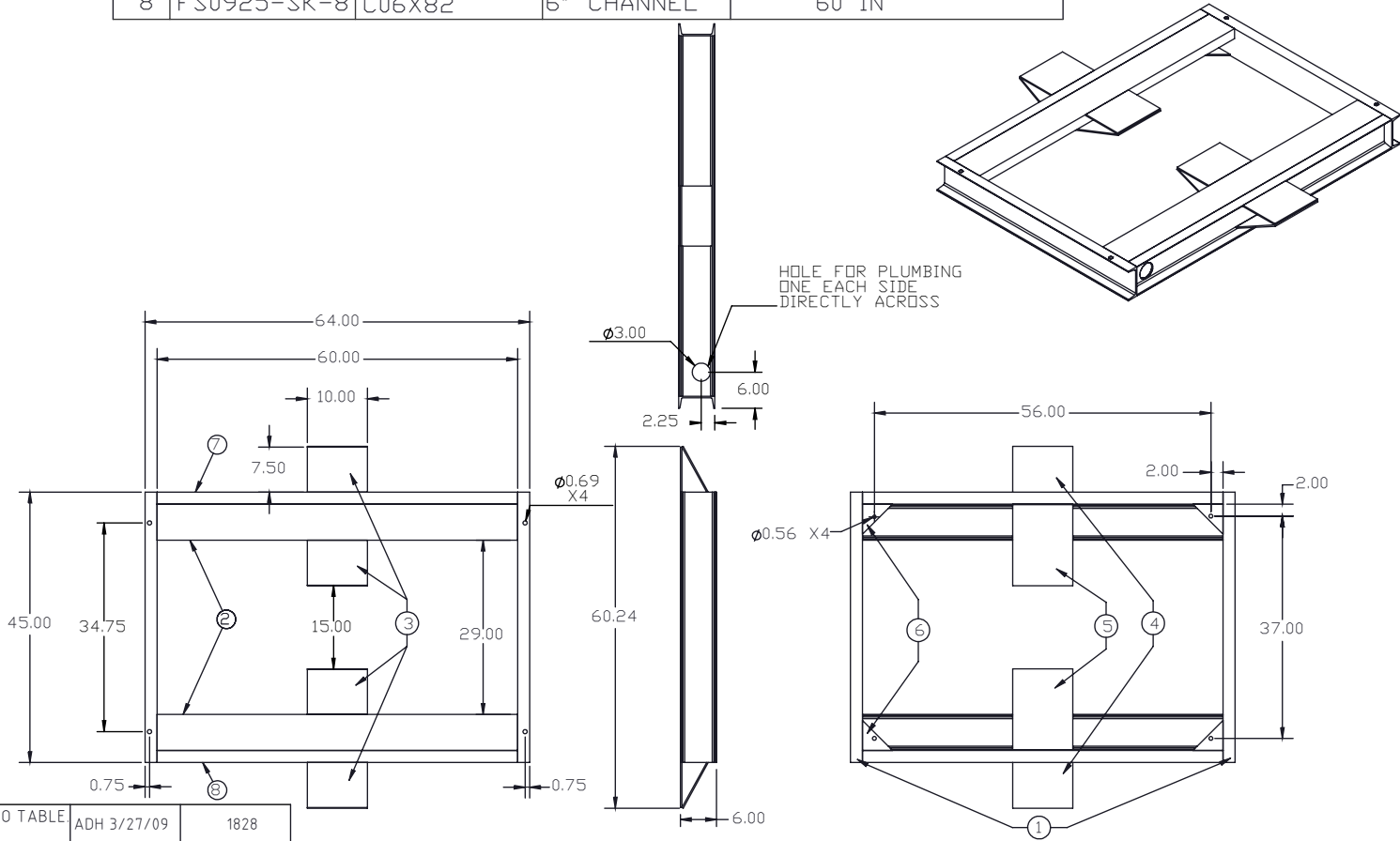


Copyright. All information furnished within this document, electronic file or design correspondence is the property of Den Hartog Industries, Inc. and shall not be used, disclosed to others or copied without the expressed written consent of Den Hartog Industries, Inc.

KEY	PART NUMBER	MATERIAL	DESCRIPTION	QTY.
1	FS0925-SK-1	C06X82	6" CHANNEL	2 @ 45" (90 IN)
2	FS0925-SK-2	C06X82	6" CHANNEL	2 @ 60" (120 IN)
3	FS0925-SK-3	S-2500	1/4" SHEET	4 @ 10" X 7.5" (300 SI)
4	FS0925-SK-4	S-2500	1/4" SHEET	2 @ 10" X 10.25" (205 SI)
5	FS0925-SK-5	S-2500	1/4" SHEET	2 @ 10" X 14.25" (285 SI)
6	12411	S-2500	5 X 5 GUSSET	4
7	FS0925-SK-7	C06X82	6" CHANNEL	60 IN
8	FS0925-SK-8	C06X82	6" CHANNEL	60 IN

FS0925-SK


E



HOLE FOR PLUMBING  
ONE EACH SIDE  
DIRECTLY ACROSS

E	COMPONENT INFORMATION ADDED TO TABLE DRAWING TEMPLATE UPDATED.	ADH 3/27/09	1828
D	34.75 WAS 35.25	ADH 7/15/08	1681
C	PLATES SHORTENED BY 1/4"	ADH 7/10/07	1382
B	ADDED BILL OF MATERIALS	NVE 8/1/06	
A	ADDED HOLES	3/17/06	
REV	DESCRIPTION	BY / DATE	CCN
ALL DIMENSIONS ARE IN DECIMAL INCHES TOLERANCES UNLESS OTHERWISE SPECIFIED		THIRD ANGLE PROJECTION ANSI 14.5M	
POLYETHYLENE		METAL DECIMAL ± .125" FRACTION ± 1/4" ANGLE ± 1°	
±1% @ 68°F			

DRAWN / DATE DHJ 10/15/03	MATERIAL
APPRD. / DATE REH 10/16/03	
SHOT WEIGHT:	NOTES:
SHIPPING WEIGHT:	
FINISH:	



# Den Hartog

INDUSTRIES, INC.

Ace Roto-Mold Injection Molding Blow Molding Sowjoy

4010 HOSPERS DRIVE S. BOX 425, HOSPERS, IOWA 51238-0421

DESCRIPTION		STEEL SKID FOR 925 GALLON LEG TANK
SCALE	N.S.	PART NO. FS0925-SK