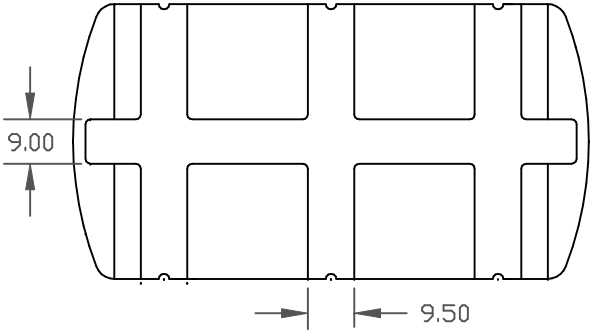


BOTTOM VIEW OF TANK



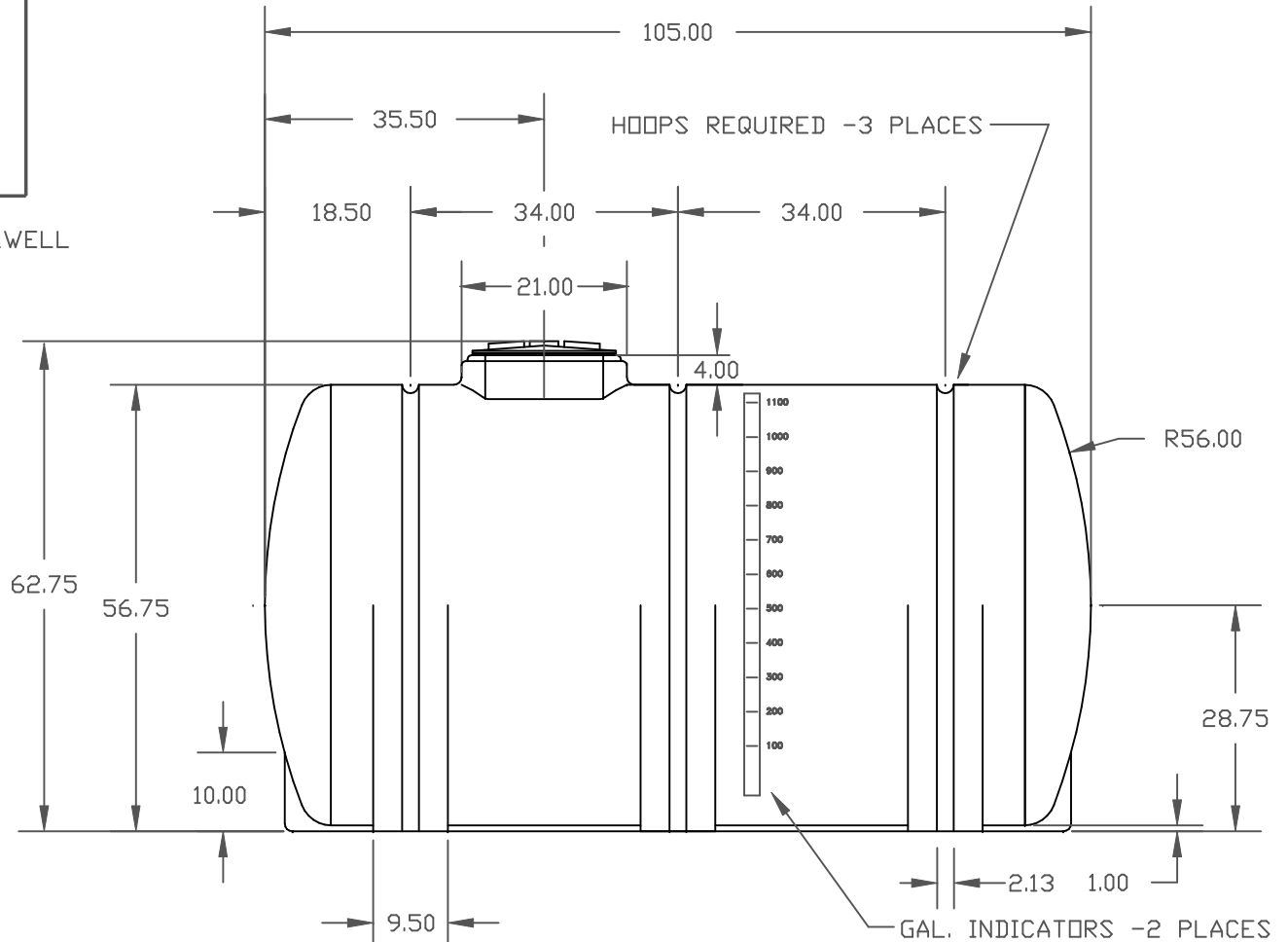
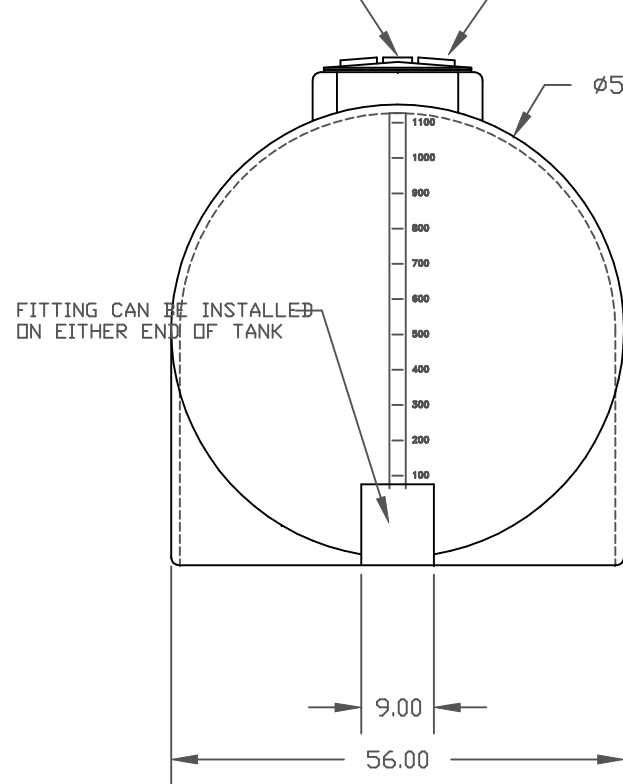
PROPRIETARY DATA

PROPERTY OF ACE ROTO-MOLD MFG., INC. INFORMATION FURNISHED HEREIN IS THE PROPERTY OF ACE ROTO-MOLD MFG., INC. AND SHALL NOT BE USED, DISCLOSED TO OTHERS, OR COPIED WITHOUT THE EXPRESSED WRITTEN CONSENT OF ACE ROTO-MOLD MFG., INC. ALL RIGHTS RESERVED.

FS1065-56W

B

Ø4.50 CENTER OPENING
Ø16" FILLWELL



ⓑ

B	340 WAS 300 CCN 1457	9/18/07
A	WAS FS1065-58	3/23/06
REV	DESCRIPTION	DATE

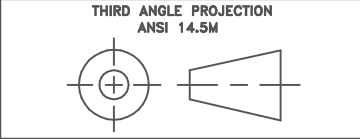
DRAWN / DATE	REH/1/30/96
APPRD. / DATE	REH/1/30/96

MATERIAL / SHOT WEIGHT			
M111	M135	U625	P938
340			

ACE ROTO-MOLD
A DIVISION OF DEN HARTOG INDUSTRIES, INC.
HIGHWAY 60 SOUTH, HOSPERS, IOWA

CLIENT / DESCRIPTION
ACE 1065 GAL. LEG TANK

ALL DIMENSIONS ARE IN DECIMAL INCHES
TOLERANCES UNLESS OTHERWISE SPECIFIED
± .5% @ 68° F



- NOTES:
1. NOM. WALL = .375
 2. SHRINK ALLOWANCE = 2.75%
 3. RESIN IS NATURAL COLOR
 4. FDA APPROVED RESIN
 5. U.V. STABILIZED

SCALE
N.S.

PART NO.
FS1065-56W