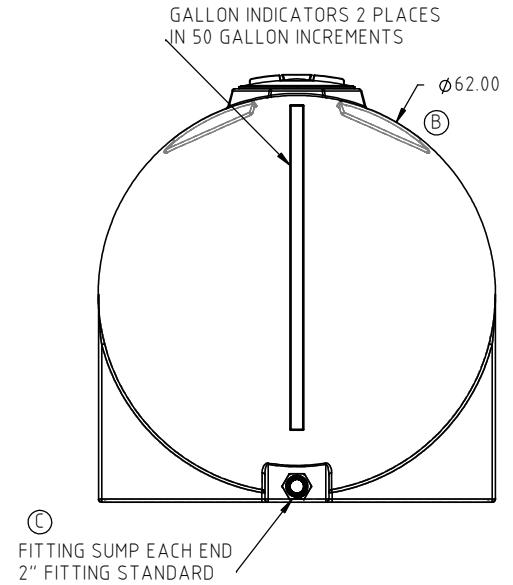
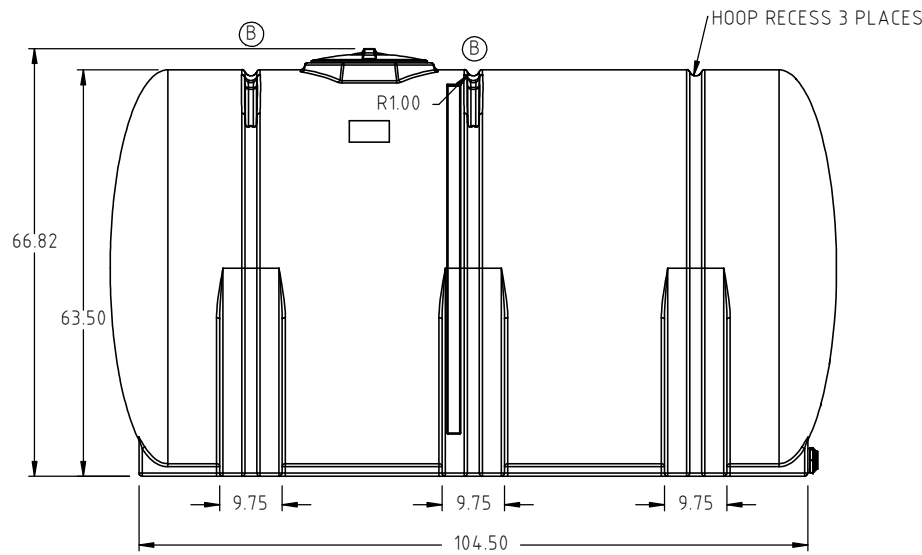
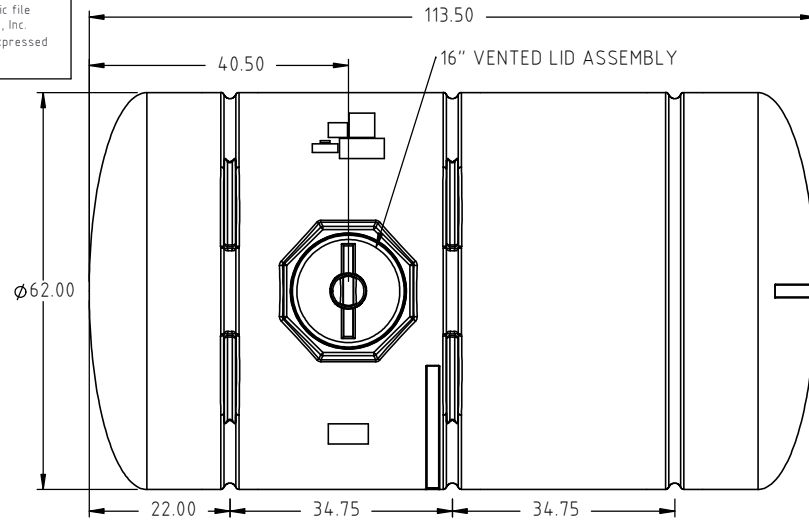



Copyright. All information furnished within this document, electronic file or design correspondence is the property of Den Hartog industries, Inc. and shall not be used, disclosed to others or copied without the expressed written consent of Den Hartog Industries, Inc.



NOTE: 3 HOOPS ARE REQUIRED ON THIS TANK

C	SPECIFIC FITTING NUMBER REMOVED.	ADH 10/11/17	3445	DRAWN / DATE	MATERIAL  HDPE
B	BAFFLE ENGAGEMENT POINTS ADDED.	ADH 4/17/17	3378	REH 4/27/01	
A	BAFFLE FEATURES REMOVED.	ADH 6/29/16	3260	APPRD. / DATE	
REV	DESCRIPTION	BY / DATE	CCN	DHJ 4/27/01	
ALL DIMENSIONS ARE IN DECIMAL INCHES TOLERANCES UNLESS OTHERWISE SPECIFIED		THIRD ANGLE PROJECTION ANSI 14.5M		SHOT WEIGHT: 425.00 LBS	NOTES: 1.) AVAILABLE IN NATURAL OR YELLOW COLOR. 2.) NOM. WALL = 0.400
POLYETHYLENE		METAL DECIMAL ± .125" FRACTION ± 1/4" ANGLE ± 1°		SHIPPING WEIGHT:	
±1% @ 68°F				FINISH:	



# Den Hartog INDUSTRIES, INC.

Acra Roto-Mold Injection Molding Blow Molding Blow-Joy

4010 HOSPERS DRIVE S. BOX 425, HOSPERS, IOWA 51238-0425

DESCRIPTION <b>1300 GAL. FREE STANDING LEG TANK</b>	
SCALE N.S.	PART NO. FS1300-DW