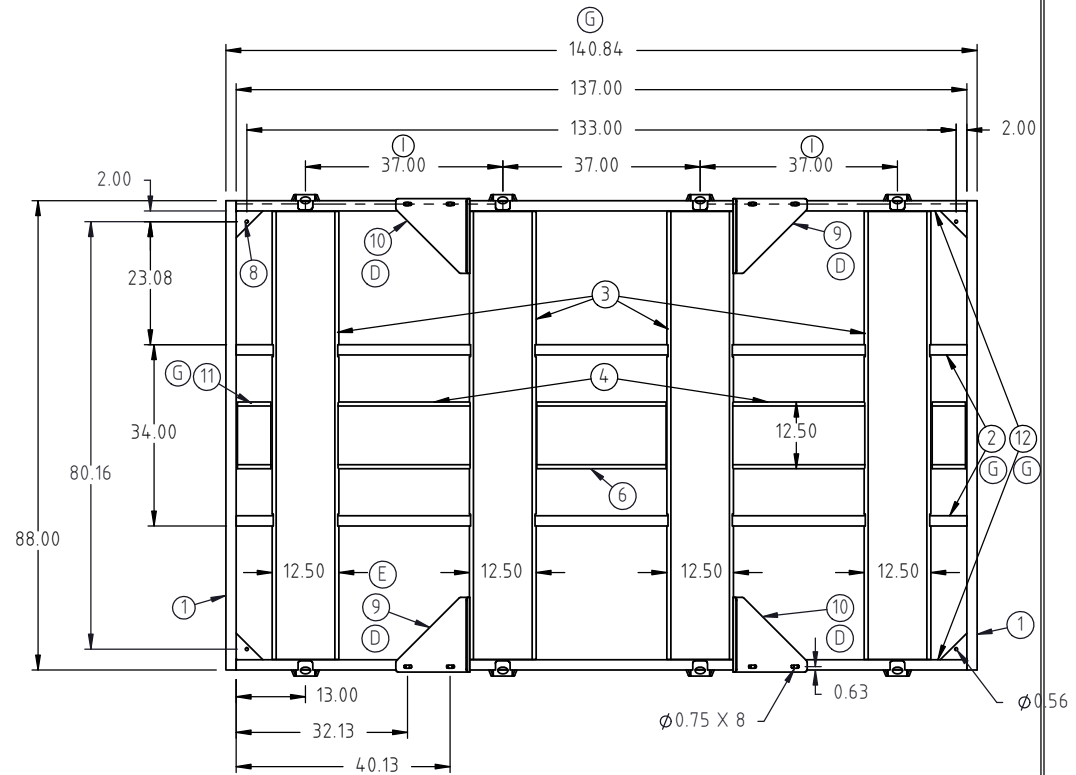
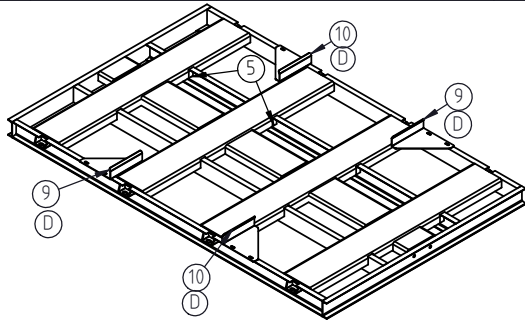
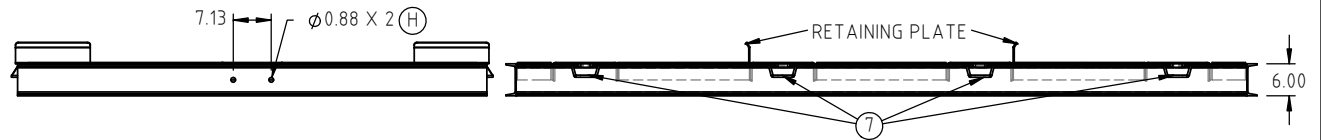


Copyright. All information furnished within this document, electronic file or design correspondence is the property of Den Hartog Industries, Inc. and shall not be used, disclosed to others or copied without the expressed written consent of Den Hartog Industries, Inc.

KEY	PART NUMBER	DESCRIPTION	QTY.	(F) (G)
1	FM2350/3250-SK-1	END CHANNEL	2	(H)
2	FS2350-3250-SK-2	INNER CHANNEL	2	(G)
3	FS2350-3250-SK-3	FORMED SUPPORT CHANNEL	4	
4	FS2350-3250-SK-4	INNER FORMED CHANNEL	2	
5	FS2350/3250-SK-5	FILLER PLATE	16	
6	FS2350-3250-SK-6	MIDDLE FORMED CHANNEL	1	
7	SJ19121	BRACKET, SKID HOOP	8	
8	12411	5" X 5" GUSSET	4	
9	FS10026	RETAINING PLATE-RIGHT	2	
10	FS10027	RETAINING PLATE LEFT HAND	2	
11	FS2350-3250-SK-11	END FORMED CHANNEL	2	(G)
12	FS2350/3250-SK-12	OUTER CHANNEL	2	(G) (I)



I	37.00" WAS 37.50"	ADH 10/30/18	3664
H	POWDER COATING HOLES ADDED	ADH 8/2/12	2465
G	SKID SHORTENED BY 5", DRAWING TEMPLATE/COMPONENT TABLE UPDATED	ADH 5/4/10	2028
F	COMPONENT INFORMATION ADDED TO TABLE. DRAWING TEMPLATE UPDATED.	ADH 3/27/09	CCN1828
E	CORRECTED DIMENSION	ADH 11/2/07	CCN1496
D	ADDED # 9 & 10 BOM KEYS	ADH 8/30/07	CCN1449
C	ADD 2750	DHJ 1/8/07	
B	ADD BILL OF MATERIALS	NVE 8/1/06	
A	FINALIZE READY FOR PRODUCTION	2/10/05	
REV	DESCRIPTION	BY / DATE	CCN

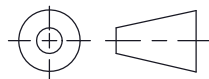


ALL DIMENSIONS ARE IN DECIMAL INCHES
TOLERANCES UNLESS OTHERWISE SPECIFIED

POLYETHYLENE

±1% @ 68°F

THIRD ANGLE PROJECTION
ANSI 14.5M



SHOT WEIGHT:
SHIPPING WEIGHT: 1078.00 LBS
FINISH: BLACK POWDER COAT

NOTES:

DRAWN / DATE DHJ 12/21/04	MATERIAL
APPRD. / DATE ADH 11/2/07	



Den Hartog
INDUSTRIES, INC.

Ace Roto-Mold Injection Molding Blow Molding Sowjoy

4010 HOSPERS DRIVE S. BOX 425, HOSPERS, IOWA 51238-0421

DESCRIPTION SKID FOR 2350 & 2750 & 3250 LEG TANK

SCALE N.S.

PART NO. FS2350-3250-SK