

© DEN HARTOG INDUSTRIES, INC.

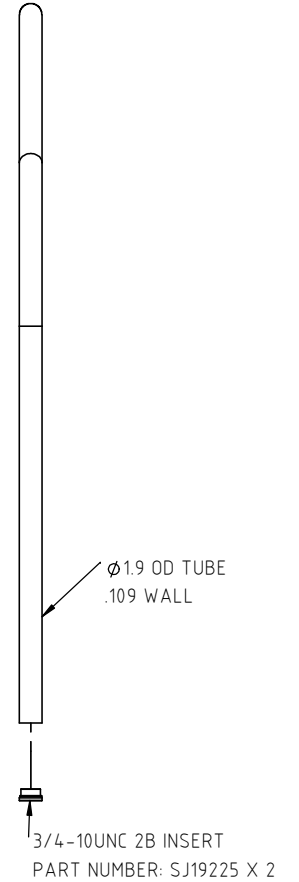
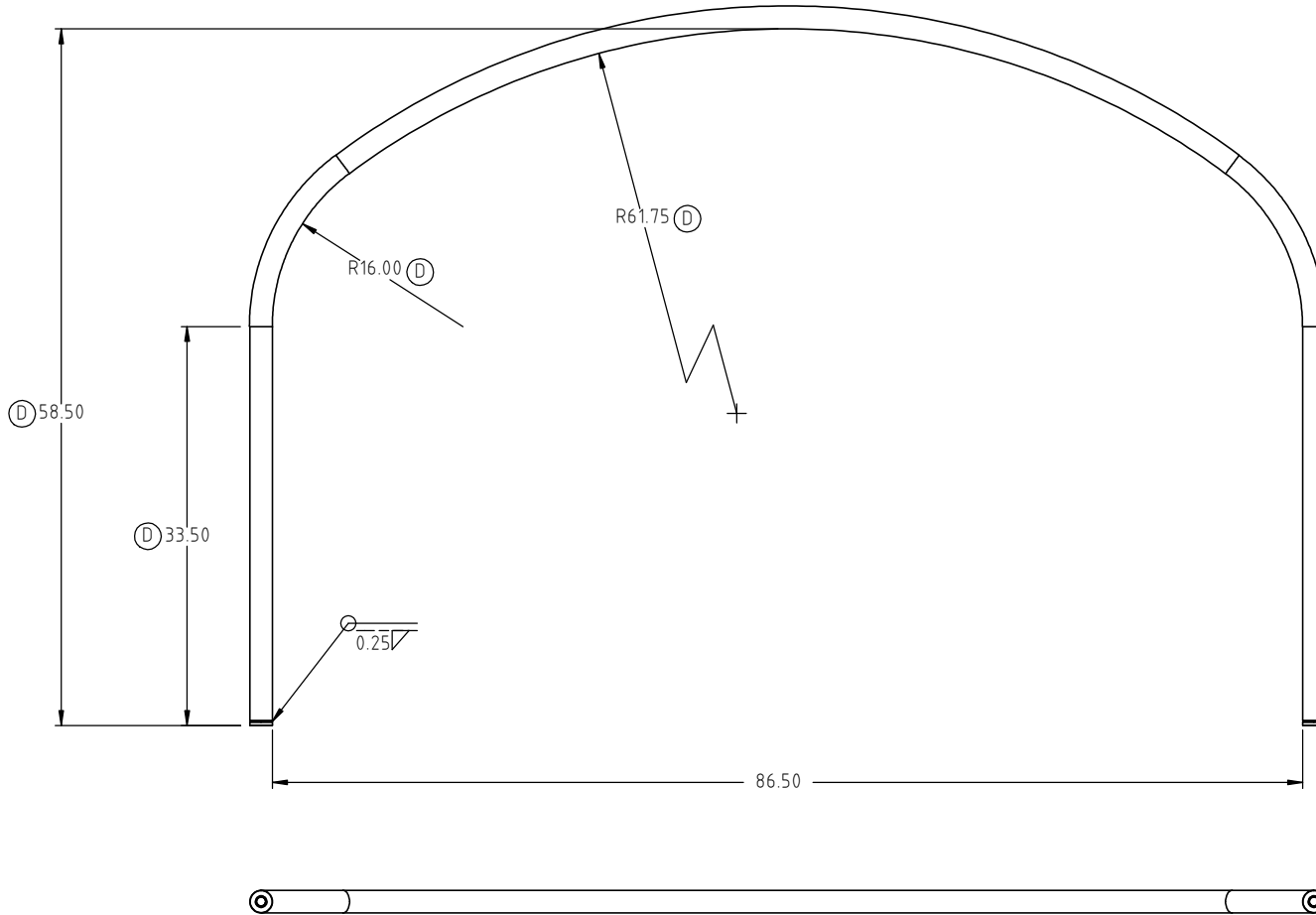
Copyright. All information furnished within this document, electronic file or design correspondence is the property of Den Hartog industries, Inc. and shall not be used, disclosed to others or copied without the expressed written consent of Den Hartog Industries, Inc.

FS2350-HPS

D

FS2350-HP 4 PER SET

Ⓒ



D	DRAWING DIMENSIONS AND PRINT LAYOUT UPDATED	ADH 11/13/15	3155		
C	ADD TEXT BOX	GWC 4/2/07		DRAWN / DATE DHJ 2/24/05	MATERIAL
B	TOLERANCE WAS 1% @ 68° F	GWC 3/19/07			1.) 1.9 RD 12 GA TUBING
A	FINALIZED DRAWING	NVE 6/22/06		APPRD. / DATE ADH 11/9/07	
REV	DESCRIPTION	BY / DATE	CCN		
ALL DIMENSIONS ARE IN DECIMAL INCHES TOLERANCES UNLESS OTHERWISE SPECIFIED		THIRD ANGLE PROJECTION ANSI 14.5M		SHOT WEIGHT: N.A.	NOTES:
POLYETHYLENE ±1% @ 68° F		METAL DECIMAL ± .125" FRACTION ± 1/4" ANGLE ± 1°		SHIPPING WEIGHT: 29.00 LBS	1.) TOTAL LENGTH: 178.00"
		FINISH: TILE, 40012 POWDER COATING, BLACK			



Den Hartog
INDUSTRIES, INC.

Ace Roto-Mold Injection Molding Blow Molding Sowjoy

4010 HOSPERS DRIVE S. BOX 425, HOSPERS, IOWA 51238-0425

DESCRIPTION HOOP FOR 2350 GALLON ELLIPTICAL LEG TANK
WITH THREADED INSERTS.

SCALE N.S.

PART NO. FS2350-HPS