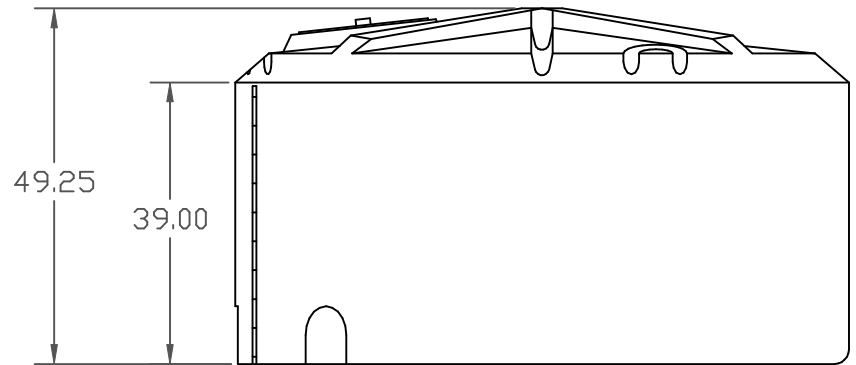
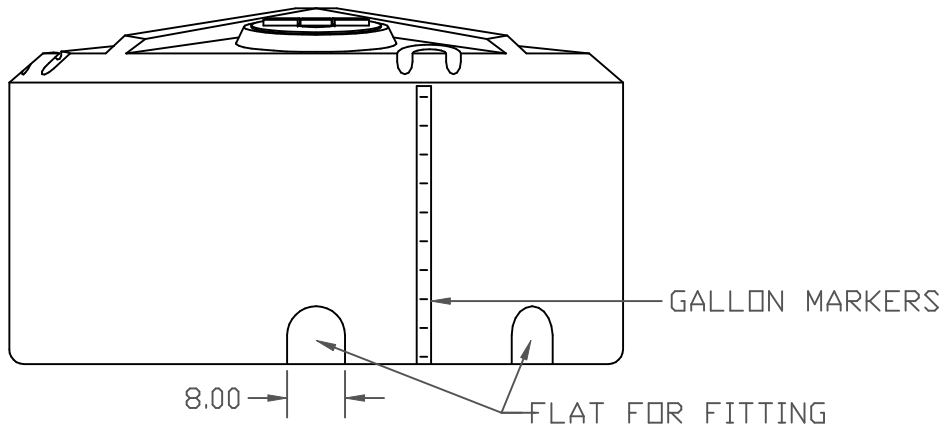
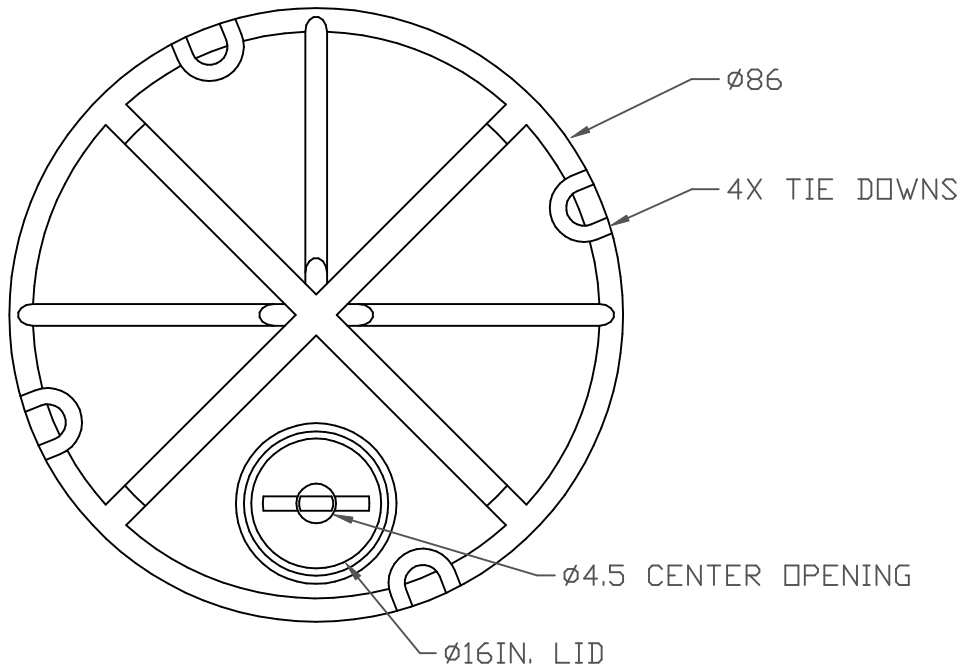


PROPRIETARY DATA

GV01050-86

A

PROPERTY OF ACE ROTO-MOLD MFG., INC. INFORMATION FURNISHED HEREIN IS THE PROPERTY OF ACE ROTO-MOLD MFG., INC. AND SHALL NOT BE USED, DISCLOSED TO OTHERS, OR COPIED WITHOUT THE EXPRESSED WRITTEN CONSENT OF ACE ROTO-MOLD MFG., INC. ALL RIGHTS RESERVED.



		DRAWN / DATE		MATERIAL	
		DHJ 1/23/03		HDPE OR EQUIVALENT REFERENCE MATERIAL DATA SHEET FOR SPECIFIC PROPERTIES.	
A	UPDATE DIAMETER	8/30/06	APPRD. / DATE	NOTES:	
REV	DESCRIPTION	DATE	APPRD.		
			ADH 11/9/07	1. 1.5 SPECIFIC GRAVITY 2. SHOT WEIGHT 175 LBS. 3. .245 NOM. WALL	
ALL DIMENSIONS ARE IN DECIMAL INCHES TOLERANCES UNLESS OTHERWISE SPECIFIED ± 1% @ 68° F			THIRD ANGLE PROJECTION ANSI 14.5M		

<p>ACE ROTO-MOLD A DIVISION OF DEN HARTOG INDUSTRIES, INC. 4018 HWY. 60 BLVD., BOX 421, HOSPERS, IOWA 51238</p>	
CLIENT / DESCRIPTION	
1050 GALLON GUSSET TOP TANK	
SCALE	PART NO.
N.S.	GV01050-86