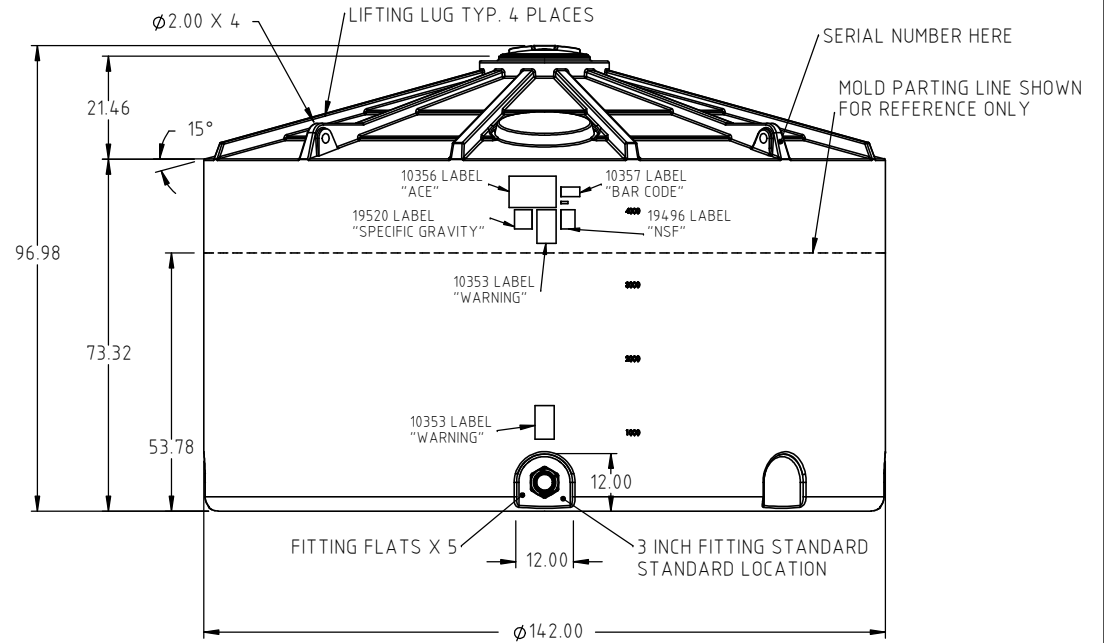
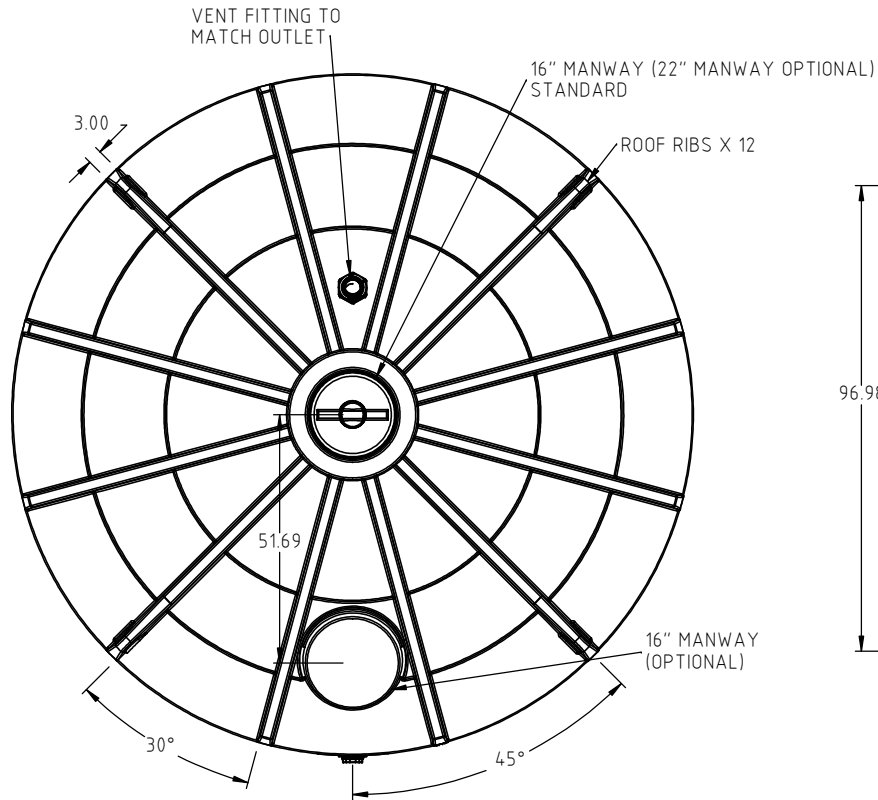



Copyright. All information furnished within this document, electronic file or design correspondence is the property of Den Hartog Industries, Inc. and shall not be used, disclosed to others or copied without the expressed written consent of Den Hartog Industries, Inc.



				DRAWN / DATE ADH 7/19/13	MATERIAL 10538 2 MELT
				APPROD. / DATE REH/7/30/13	
REV	DESCRIPTION	BY / DATE	CCN		
ALL DIMENSIONS ARE IN DECIMAL INCHES TOLERANCES UNLESS OTHERWISE SPECIFIED		THIRD ANGLE PROJECTION ANSI 14.5M		SHOT WEIGHT: 870.00 LBS S.G. 15 950.00 LBS S.G. 1.7	NOTES: 1.) WHITE, BLACK, OR YELLOW COLOR 2.) 15 SP = 0.45 WALL 1.7 SP = 0.53 WALL
POLYETHYLENE		METAL DECIMAL ± .125" FRACTION ± 1/4" ANGLE ± 1°		SHIPPING WEIGHT: 872.00 LBS S.G. 15 952.00 LBS S.G. 1.7	
±1% @ 68°F				FINISH:	



**Den Hartog**  
INDUSTRIES, INC.

*Acra Roto-Mold Injection Molding Blow Molding Sowjoy*

4010 HOSPERS DRIVE S. BOX 425, HOSPERS, IOWA 51238-0425

DESCRIPTION 4995 GALLON GUSSET TOP TANK	
SCALE N.S.	PART NO. GV4995-142