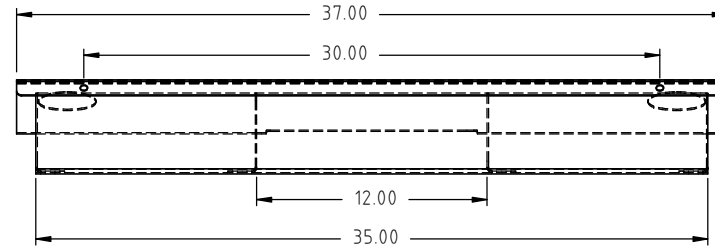
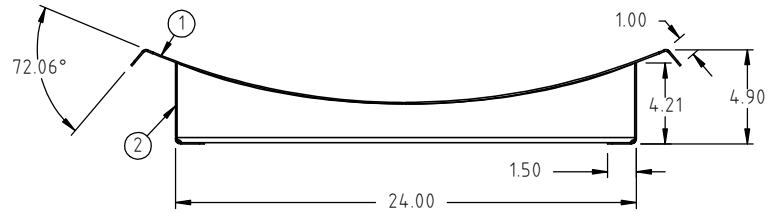


© DEN HARTOG INDUSTRIES, INC.

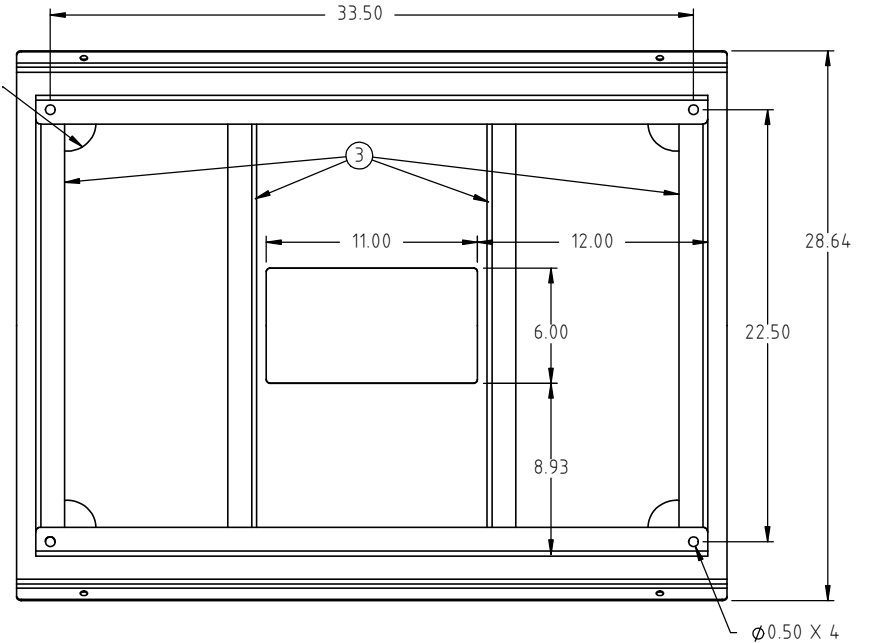
Copyright. All information furnished within this document, electronic file or design correspondence is the property of Den Hartog Industries, Inc. and shall not be used, disclosed to others or copied without the expressed written consent of Den Hartog Industries, Inc.

KEY	PART NUMBER	DESCRIPTION	QTY.
1	HE0085-C-1	PAN	1
2	HE0085-C-2	SIDE SUPPORT	2
3	HE0085-C-3	END PLATE	4

HE0085-C



3" ACCESS HOLES ON TOP OF PAN X 4



REV	DESCRIPTION	BY / DATE	CCN	DRAWN / DATE DHJ 5/10/12	MATERIAL
				APPRO. / DATE REH 3/5/13	
ALL DIMENSIONS ARE IN DECIMAL INCHES TOLERANCES UNLESS OTHERWISE SPECIFIED		THIRD ANGLE PROJECTION ANSI 14.5M		SHOT WEIGHT:	NOTES:
POLYETHYLENE		METAL DECIMAL ± .125" FRACTION ± 1/4" ANGLE ± 1°		SHIPPING WEIGHT: 40 LBS.	
±1% @ 68°F				FINISH: POWDER COATING, BLACK TILE, 40012	



**Den Hartog**  
INDUSTRIES, INC.

Acra Roto-Mold Injection Molding Blow Molding Sowjoy

4010 HOSPERS DRIVE S. BOX 425, HOSPERS, IOWA 51238-0425

DESCRIPTION 85 GALLON ELLIPTICAL TANK CRADLE	
SCALE N.S.	PART NO. HE0085-C