

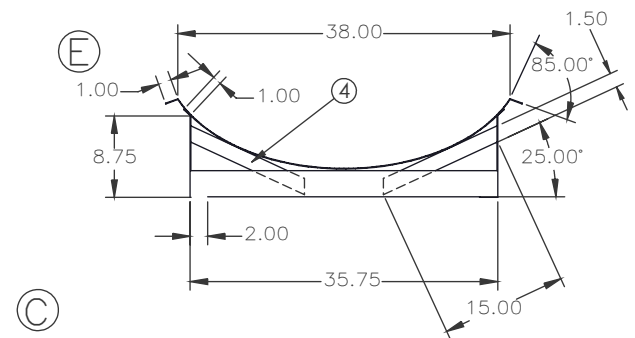
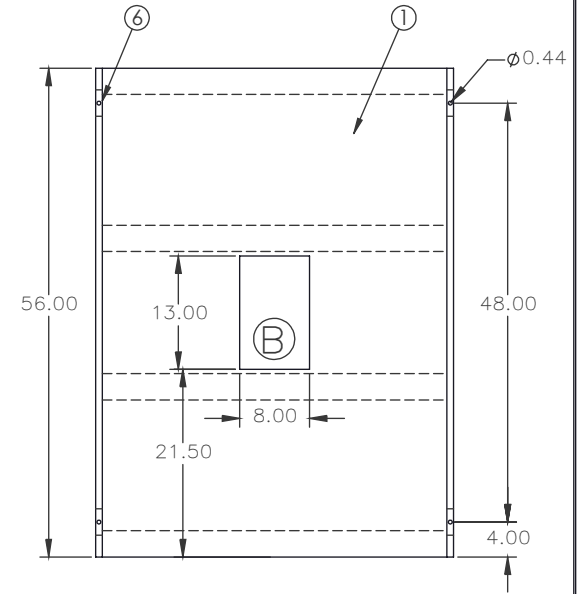
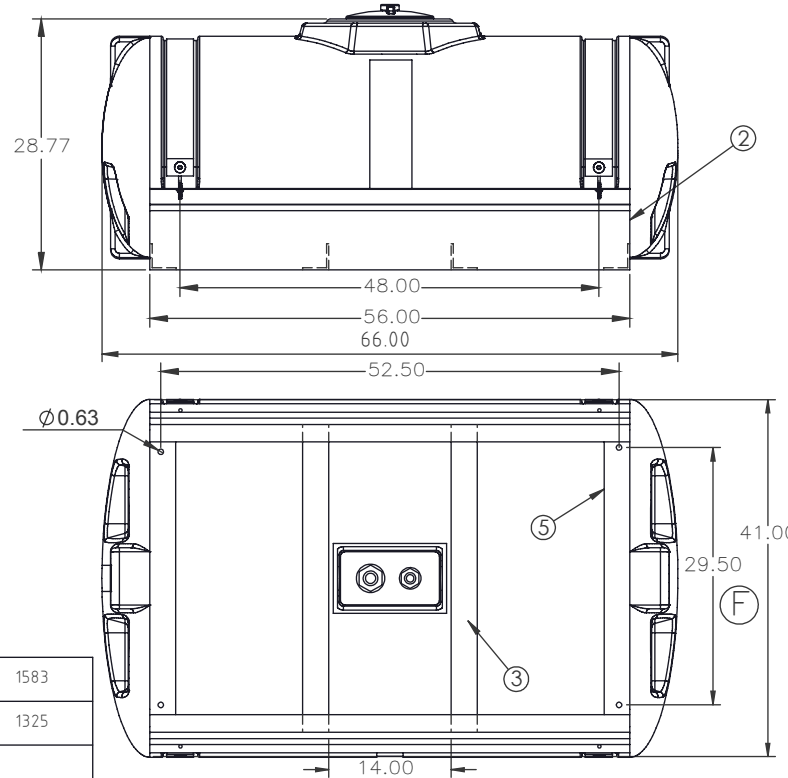
PROPRIETARY DATA

HE0200-C

F

PROPERTY OF ACE ROTO-MOLD MFG., INC. INFORMATION FURNISHED HEREIN IS THE PROPERTY OF ACE ROTO-MOLD MFG., INC. AND SHALL NOT BE USED, DISCLOSED TO OTHERS, OR COPIED WITHOUT THE EXPRESSED WRITTEN CONSENT OF ACE ROTO-MOLD MFG., INC. ALL RIGHTS RESERVED.

KEY	PART NUMBER	MATERIAL	DESCRIPTION	QTY.
1	HE0200-C-1	S-14GA	SHEET, 14 GA	44.75" X 56"(2506 SI)
2	HE0200-C-2	S-14GA	SHEET, 14 GA	2 @ 11.75" X 56"(1316 SI)
3	HE0200-C-3	A01875X30000	ANGLE, 3/16" X 3"	4 @ 35.5 IN (142 IN) (HOLES INCLUDED)
4	HE0200-C-4	B02500X15000	FLAT, 1/4" X 1 1/2"	4 @ 15 IN (60 IN)
5	HE0200-C-5	A01875X30000	ANGLE, 3/16" X 3" (HOLES)	2
6	SJHZ0230C-4	B02500X10000	FLAT, 1/4" X 1"	4

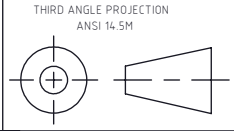


F	DRAWING DIMENSION 29.50 WAS 29.00	ADH 2/4/08	1583
E	WAS 1.50	DHJ 5/7/07	1325
D	REMOVE TOLERANCE	GWC 3/13/07	
C	CHANGE ANGLE LENGTH WAS 35	4/24/06	
B	UPDATE CENTER CUTOUT DIM	1/31/06	
A	UPDATE DIM	1/31/06	
REV	DESCRIPTION	BY / DATE	

DRAWN / DATE	MATERIAL
ADH 7/20/07	
APPRD. / DATE	
REH 10/5/07	

ALL DIMENSIONS ARE IN DECIMAL INCHES TOLERANCES UNLESS OTHERWISE SPECIFIED

DECIMAL ± .125"  
FRACTION ± 1/4"  
ANGLE ± 1°



NOTES:



**Den Hartog**  
INDUSTRIES, INC.

Ace Roto-Mold Injection Molding Blow Molding Sowjoy  
4010 HOSPERS DRIVE S. BOX 425, HOSPERS, IOWA 51238-0421

DESCRIPTION	ACE 200 GALLON ELLIPTICAL TANK AND CRADLE ASSEMBLY	
SCALE	N.S.	PART NO. HE0200-C