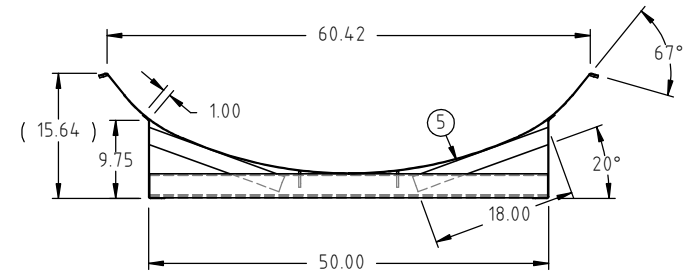
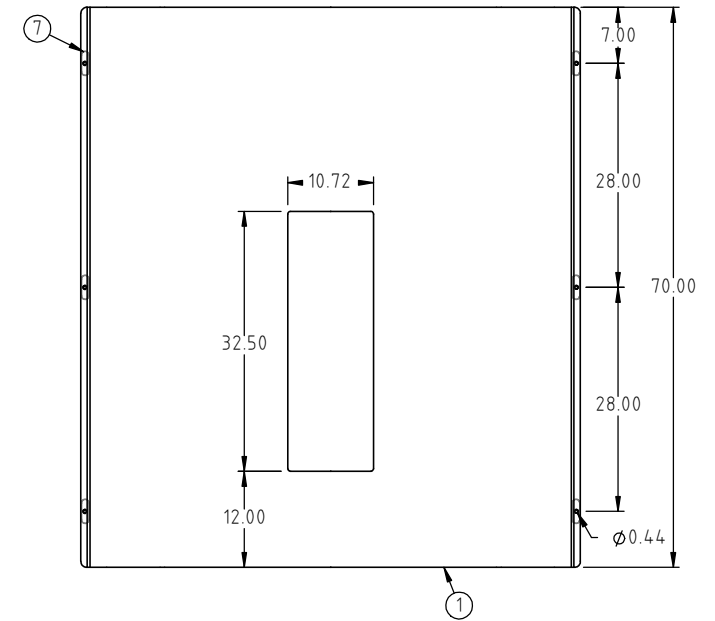
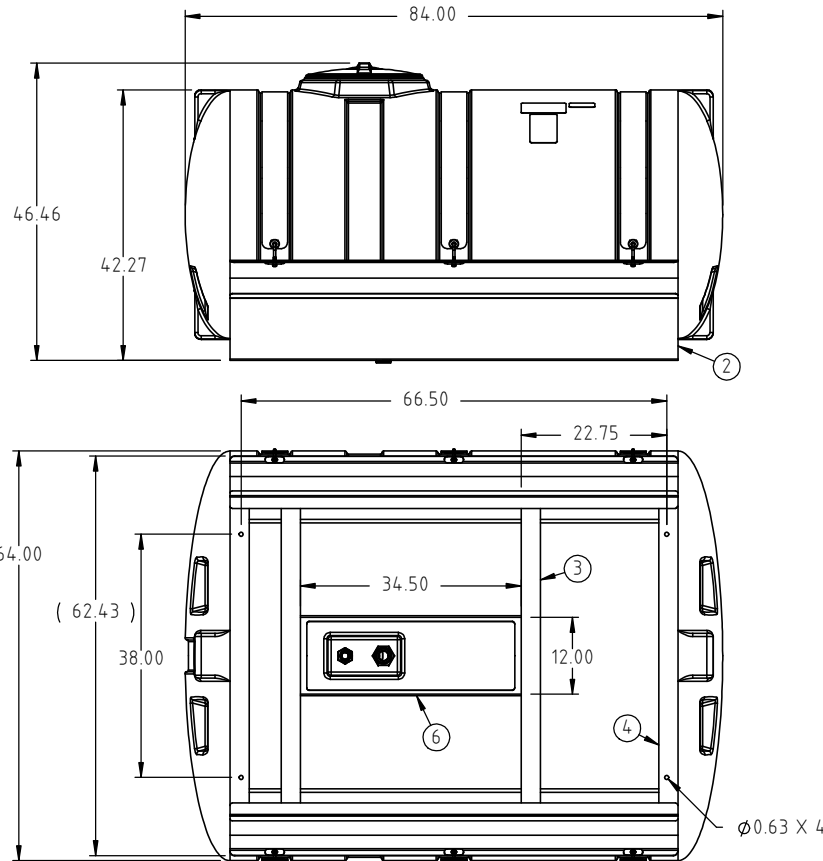


© DEN HARTOG INDUSTRIES, INC.

Copyright. All information furnished within this document, electronic file or design correspondence is the property of Den Hartog Industries, Inc. and shall not be used, disclosed to others or copied without the expressed written consent of Den Hartog Industries, Inc.

HE0600-C

KEY	PART NUMBER	DESCRIPTION	QTY.
1	HE0600-C-1	PAN	1
2	HE0600-C-2	SIDE PANEL	2
3	HE0600-C-3	BASE ANGLE	2
4	HE0600-C-4	BASE ANGLE (HOLES)	2
5	HE0600-C-5	SUPPORT STRAP	4
6	HE0600-C-5	SUPPORT STRAP	2
7	SJHZ0232C-4	STRAP SUPPORT	6



DRAWN / DATE ADH 11/24/15		MATERIAL SEE COMPONENTS	
APPROD. / DATE REH 5/27/16		NOTES: 1) CRADLE ONLY: 217.00 LBS 2) CRADLE WITH BANDS: 243.00 LBS 3) CRADLE WITH BANDS AND TANK: 428.00 LBS	
REV	DESCRIPTION	BY / DATE	CCN
ALL DIMENSIONS ARE IN DECIMAL INCHES TOLERANCES UNLESS OTHERWISE SPECIFIED		THIRD ANGLE PROJECTION ANSI 14.5M	
POLYETHYLENE ±1% @ 68°F		METAL DECIMAL ±.125" FRACTION ± 1/4" ANGLE ± 1°	
SHOT WEIGHT:		FINISH: POWDER COATING, BLACK TILE, 40012	
SHIPPING WEIGHT: SEE NOTES			



Den Hartog
INDUSTRIES, INC.

Ace Roto-Mold Injection Molding Blow Molding Sowjoy

4010 HOSPERS DRIVE S. BOX 425, HOSPERS, IOWA 51238-0425

DESCRIPTION	600 GALLON ELLIPTICAL TANK CRADLE ASSEMBLY	
SCALE	N.S.	PART NO. HE0600-C