

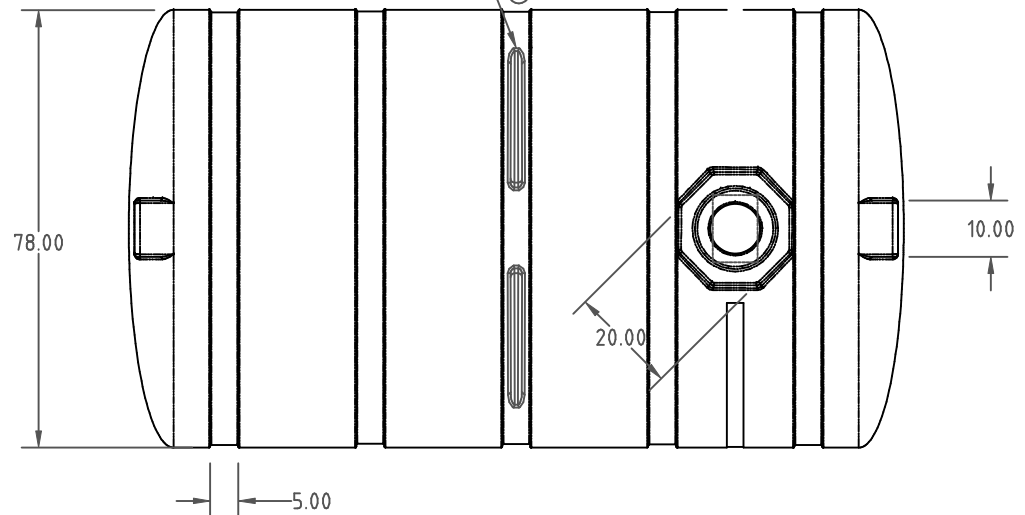
© DEN HARTOG INDUSTRIES, INC.

Copyright. All information furnished within this document, electronic file or design correspondence is the property of Den Hartog Industries, Inc. and shall not be used, disclosed to others or copied without the expressed written consent of Den Hartog Industries, Inc.

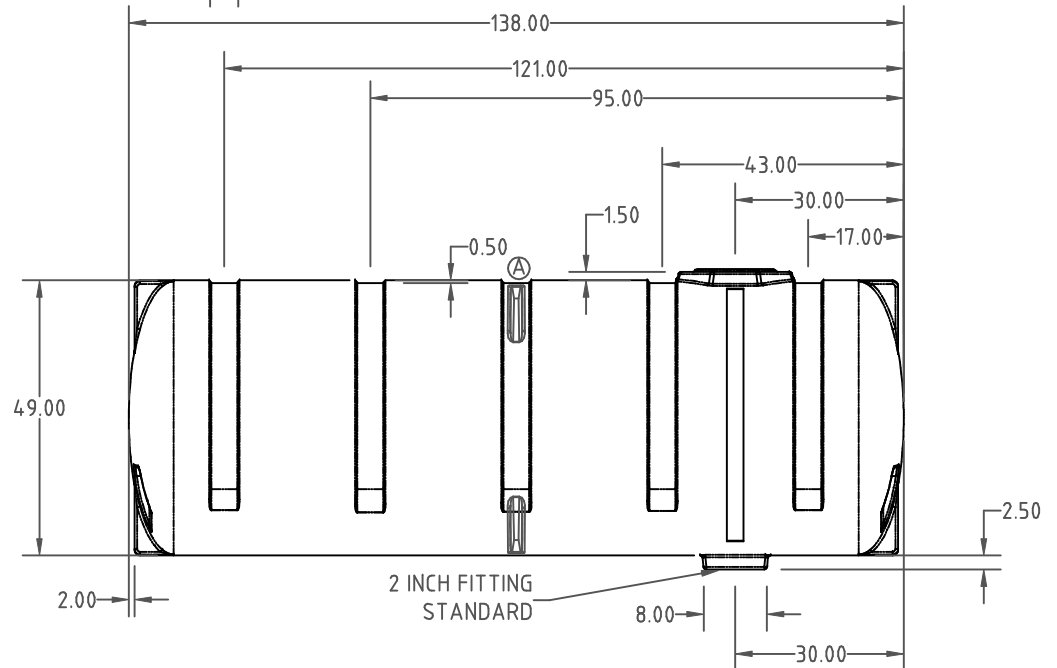
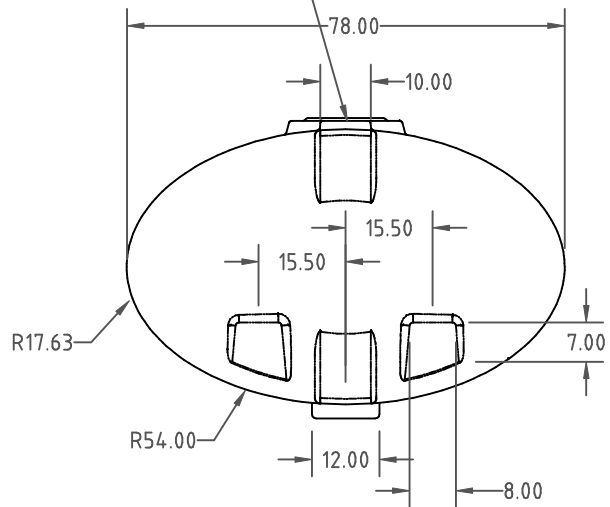
HE1600-78

A

TANK BAFFLES-SEE DRAWING HE1600-BAF FOR ASSEMBLY.



10528 16" LID AND 10534 LANYARD



A	BAFFLE SLOTS ADDED TO PRINT CCN 174.6	ADH 11/10/08	
REV	DESCRIPTION	DATE	APPRD

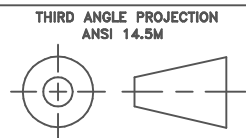
DRAWN / DATE	REH/8/16/04
APPRD. / DATE	DHJ/8/16/04

MATERIAL / SHOT WEIGHT			
M111	M134	U625	P938
	400		

**ACE ROTO-MOLD**  
 A DIVISION OF DEN HARTOG INDUSTRIES, INC.  
 4010 HOSPERS DRIVE S., BOX 425, HOSPERS, IOWA 51238

CLIENT / DESCRIPTION  
**ACE 1600 GALLON ELLIPTICAL TANK**

ALL DIMENSIONS ARE IN DECIMAL INCHES  
 TOLERANCES UNLESS OTHERWISE SPECIFIED  
 ± .5% @ 68° F



NOTES:  
 1. .335 NOMINAL WALL

SCALE  
**N.S.**

PART NO.  
**HE1600-78**