

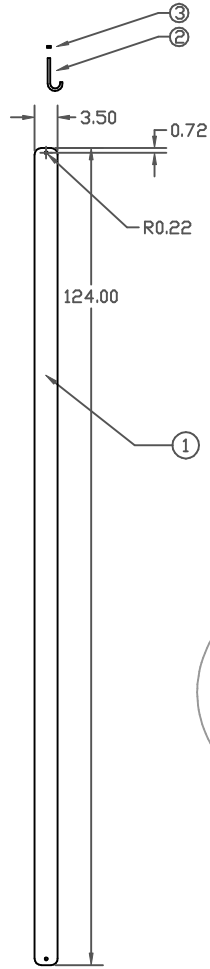
PROPRIETARY DATA

PROPERTY OF DEN HARTOG INDUSTRIES, INC. INFORMATION FURNISHED HEREIN IS THE PROPERTY OF DEN HARTOG INDUSTRIES, INC. AND SHALL NOT BE USED, DISCLOSED TO OTHERS, OR COPIED WITHOUT THE EXPRESSED WRITTEN CONSENT OF DEN HARTOG INDUSTRIES, INC. ALL RIGHTS RESERVED.

ITEM#	QUANTITY	ITEM DESCRIPTION
1	5	SADDLE BAND
2	10	.375 x 5 JBOLT
3	10	.375 NUT

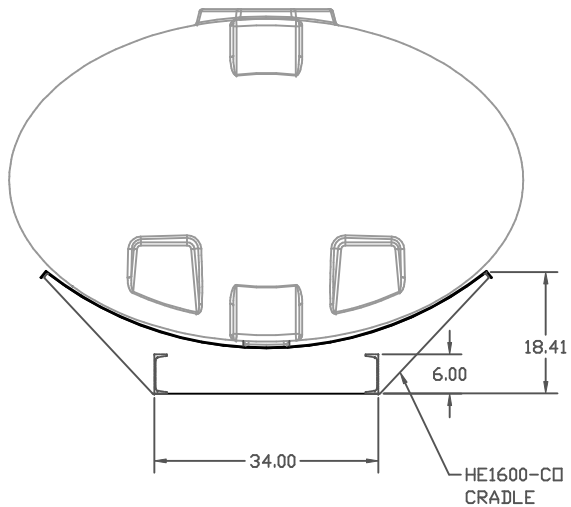
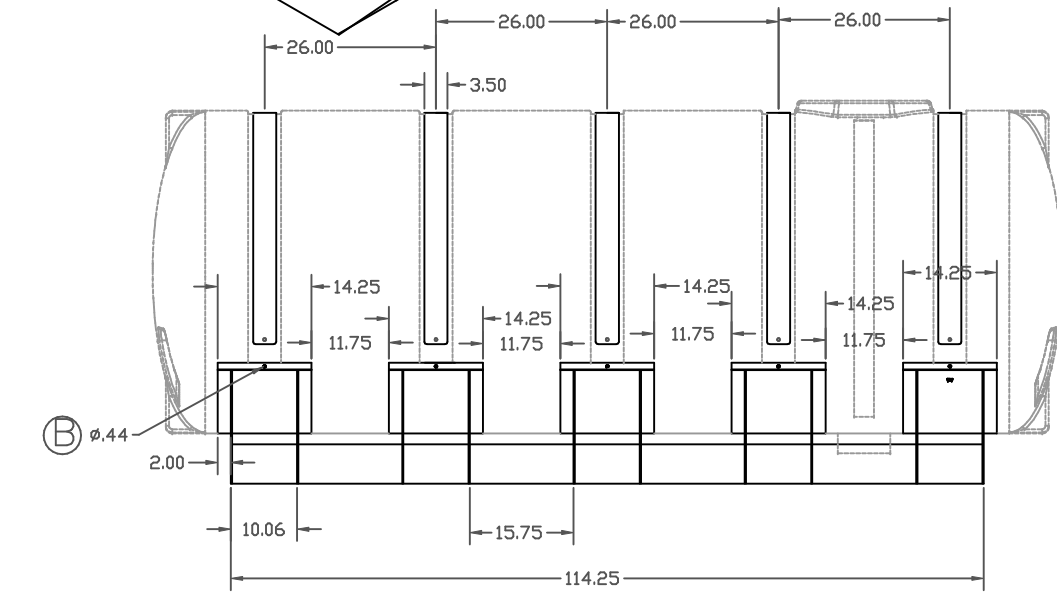
HE1600-C

B



C6 x 8.2 x 113.88  
10 GA 74x14.25

7 GA

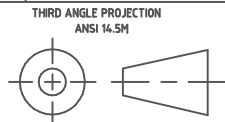


HE1600-SBPS  
BAND AND  
HDWE


HE1600-CD  
CRADLE

REV	DESCRIPTION	DATE	APPRD	CCN	DRAWN / DATE	MATERIAL
B	Ø0.40 HOLE STANDARDIZED TO Ø0.44	ADH	3/16/09	1822	DHJ 9/20/06	STEEL
A	REMOVE CUTOUT FOR SUMP	DHJ	3/18/08	1633	APPRD. / DATE	
					REH 2/5/07	

ALL DIMENSIONS ARE IN DECIMAL INCHES  
TOLERANCES UNLESS OTHERWISE SPECIFIED  
± .125



NOTES:  
POWDER COAT  
BLACK



## ACE ROTO-MOLD

A DIVISION OF DEN HARTOG INDUSTRIES, INC.  
4010 HOSPERS DRIVE S. BOX 425, HOSPERS, IOWA 51238-0421

CLIENT / DESCRIPTION  
**CRADLE FOR 1600 GALLON ELLIPTICAL TANK**

SCALE N.S.	PART NO. HE1600-C
---------------	----------------------