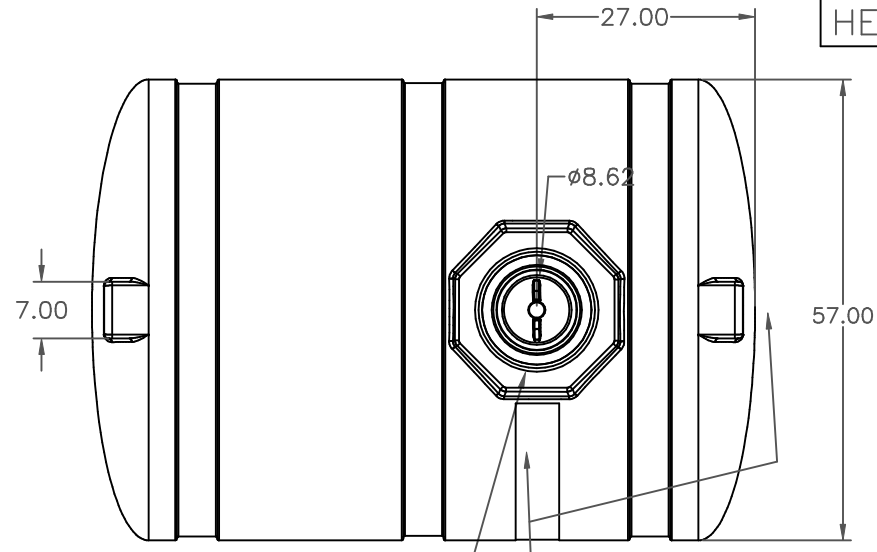
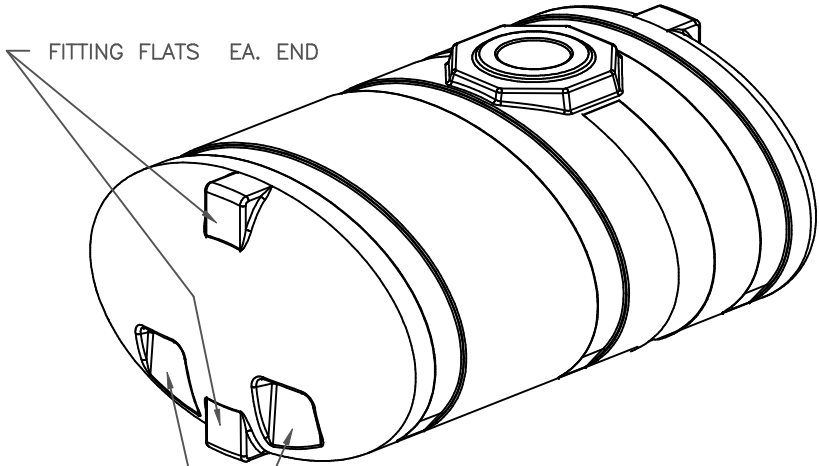


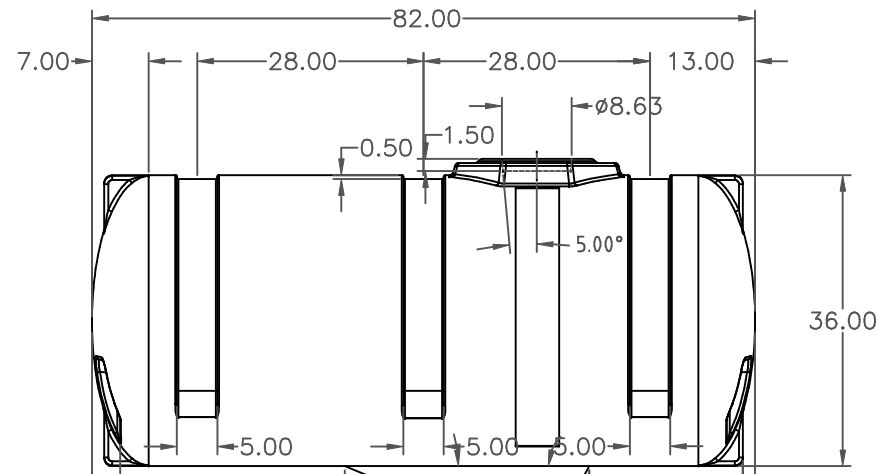
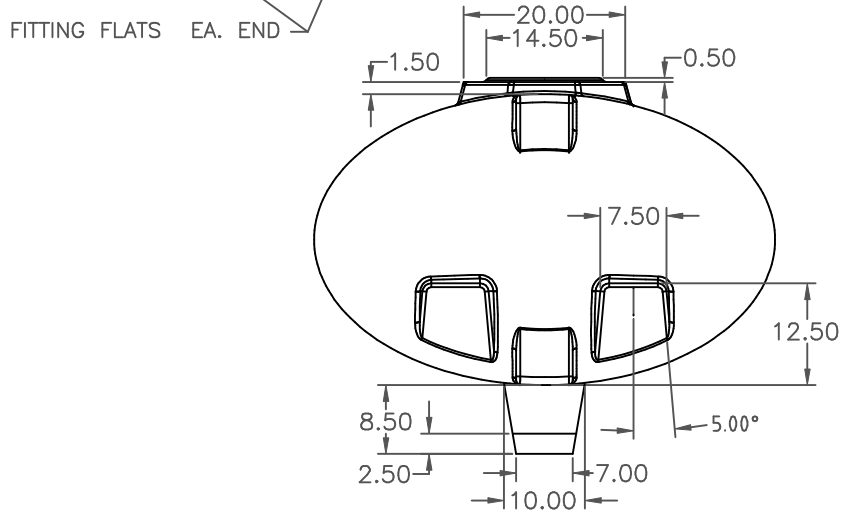
PROPRIETARY DATA

PROPERTY OF ACE ROTO-MOLD MFG., INC. INFORMATION FURNISHED HEREIN IS THE PROPERTY OF ACE ROTO-MOLD MFG., INC. AND SHALL NOT BE USED, DISCLOSED TO OTHERS, OR COPIED WITHOUT THE EXPRESSED WRITTEN CONSENT OF ACE ROTO-MOLD MFG., INC. ALL RIGHTS RESERVED.

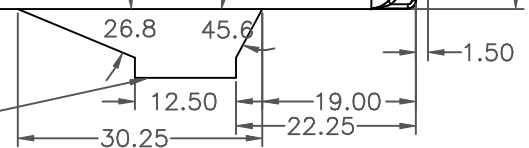
HED0500-57



STANDARD LID IS 8" GALLON / LITER INDICATORS ONE SIDE AND ONE END GALLON CALIBRATIONS ARE IN 25 GAL. INCREMENTS



STANDARD FITTINGS 1 1/4 INCH 3/4 INCH



REV	DESCRIPTION	DATE	APPRD

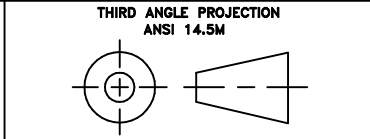
DRAWN / DATE	DHJ/6/18/03
APPRD. / DATE	ADH/11/12/07

MATERIAL / SHOT WEIGHT	HDPE/165 LB.
------------------------	--------------

ACE ROTO-MOLD
 A DIVISION OF DEN HARTOG INDUSTRIES, INC.
 4018 HWY. 60 BLVD., BOX 421, HOSPERS, IOWA 51238

CLIENT / DESCRIPTION
 ACE 500 GALLON ELLIPTICAL TANK DEEP SUMP

ALL DIMENSIONS ARE IN DECIMAL INCHES
 TOLERANCES UNLESS OTHERWISE SPECIFIED
 $\pm .5\% \text{ @ } 68^{\circ} \text{ F}$



NOTES:
 1. .310 NOMINAL WALL
 2. WHITE OR YELLOW COLOR

SCALE
 N.S.

PART NO.
 HED0500-57