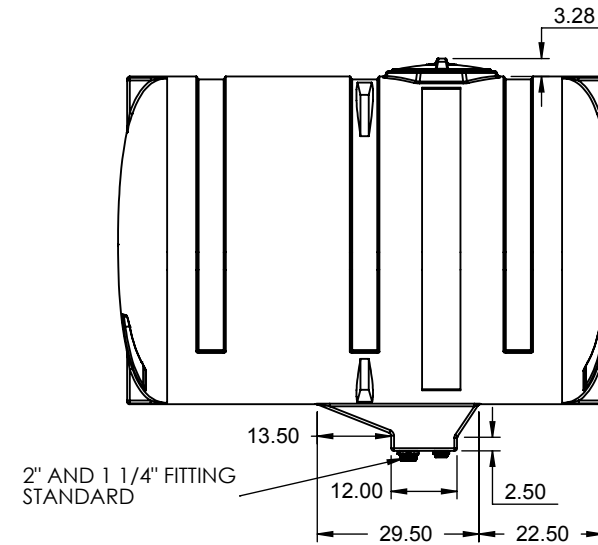
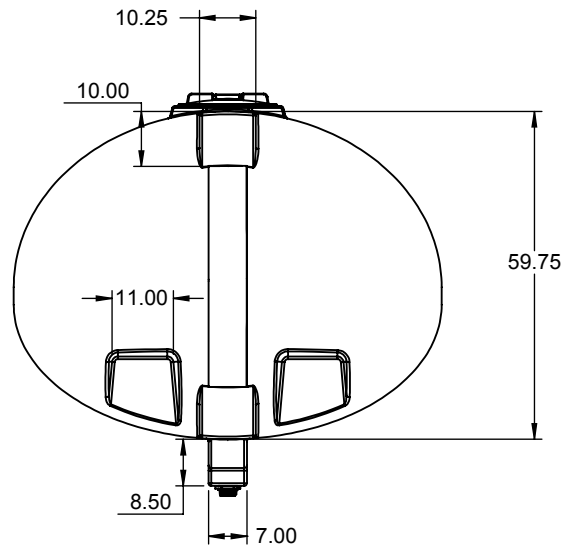
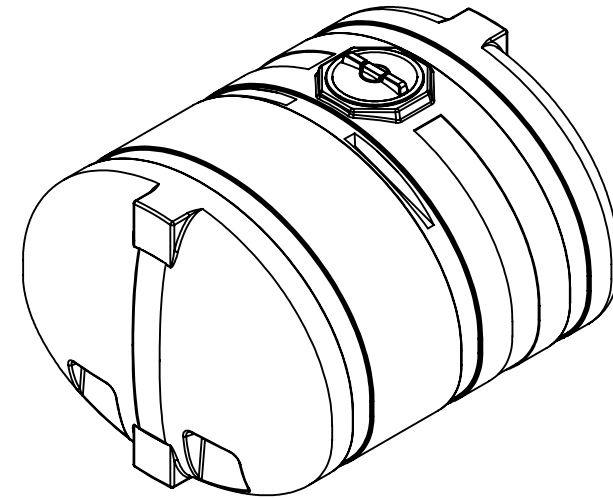
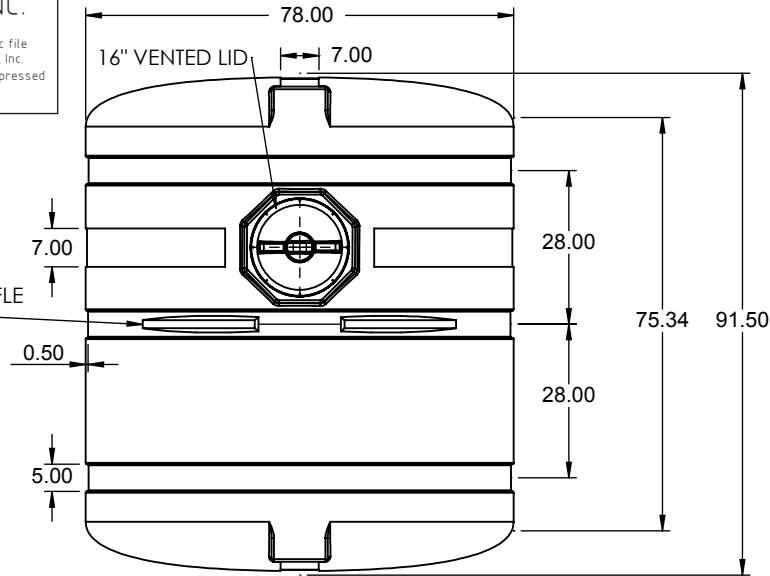


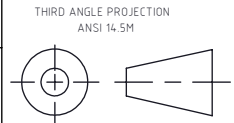
Copyright. All information furnished within this document, electronic file or design correspondence is the property of Den Hartog Industries, Inc. and shall not be used, disclosed to others or copied without the expressed written consent of Den Hartog Industries, Inc.

SEE PRINT HED250-BAF FOR BAFFLE INSTALLATION INSTRUCTIONS



2" AND 1 1/4" FITTING STANDARD

				DRAWN / DATE REH 10/2/07	MATERIAL
				APPRD. / DATE REH 8/14/08	1.) POWDER, 3 MELT (10420)
REV	DESCRIPTION	BY / DATE	CCN	SHOT WEIGHT: 370 LBS	NOTES:
	ALL DIMENSIONS ARE IN DECIMAL INCHES TOLERANCES UNLESS OTHERWISE SPECIFIED			SHIPPING WEIGHT:	1.) 0.400 NOMINAL WALL
	POLYETHYLENE ±1% @ 68°F			FINISH:	
	METAL DECIMAL ± .125" FRACTION ± 1/4" ANGLE ± 1°				



**Den Hartog**  
INDUSTRIES, INC.

Ace Roto-Mold Injection Molding Blow Molding Sowjoy  
4010 HOSPERS DRIVE S. BOX 425, HOSPERS, IOWA 51238-0421

DESCRIPTION	1250 GALLON ELLIPTICAL TANK DEEP SUMP	
SCALE	N.S.	PART NO. HED1250-78