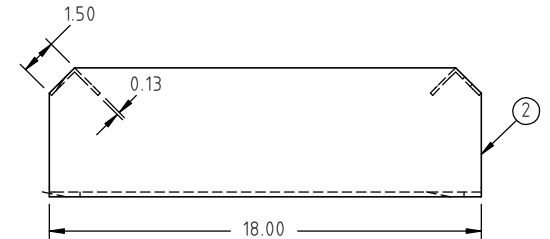
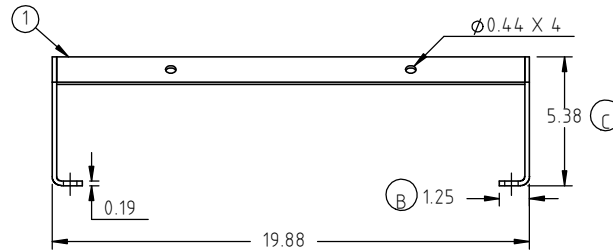
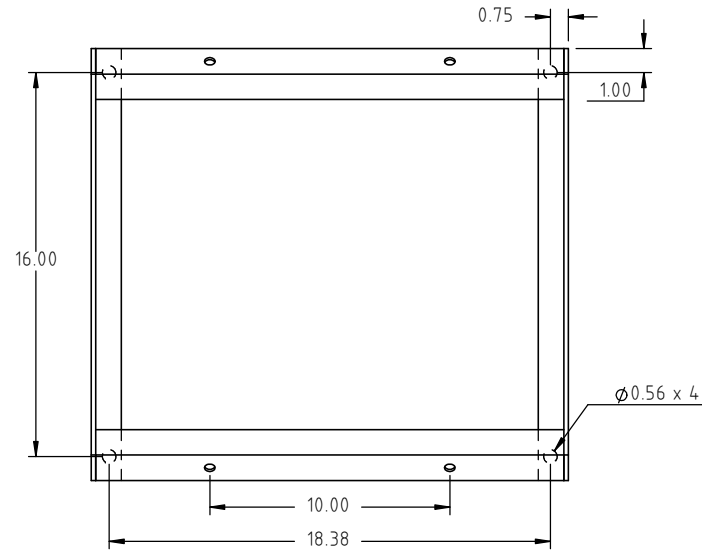


Copyright. All information furnished within this document, electronic file or design correspondence is the property of Den Hartog industries, Inc. and shall not be used, disclosed to others or copied without the expressed written consent of Den Hartog Industries, Inc.

KEY	PART NUMBER	DESCRIPTION	QTY.
1	SJHZ0025C-1	ANGLE STEEL	2
2	SJHZ25-55C-8	SIDE PANEL	2



E	HZ0025-CSBS AND BB5/16X3BAG-4 DETAILS REMOVED FROM PRINT.	ADH 8/26/15	3115
D	WEIGHT, FINISH, TEMPLATE UPDATED AND ADDED TO PRINT, 18.00 LBS WAS 20.00 LBS, 0.75" WAS 0.50".	ADH 1/18/12	2354
C	5.38 WAS 5.00, BOLT BAG AND BANDS ADDED TO TABLE	ADH 5/13/09	1862
B	DRAWING DIMENSION 19.88 WAS 19.75	ADH 2/4/08	1584
A	TOLERANCE WAS 1% @ 68°F	GWC 3/14/07	
REV	DESCRIPTION	BY / DATE	CCN

DRAWN / DATE	MATERIAL
ADH 7/30/07	
APPRD. / DATE	
REH 11/26/07	



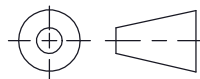
Den Hartog
INDUSTRIES, INC.

Ace Roto-Mold Injection Molding Blow Molding Sowjoy

4010 HOSPERS DRIVE S. BOX 425, HOSPERS, IOWA 51238-0425

ALL DIMENSIONS ARE IN DECIMAL INCHES TOLERANCES UNLESS OTHERWISE SPECIFIED	
POLYETHYLENE	METAL
±1% @ 68°F	DECIMAL ± .125" FRACTION ± 1/4" ANGLE ± 1°

THIRD ANGLE PROJECTION
ANSI 14.5M



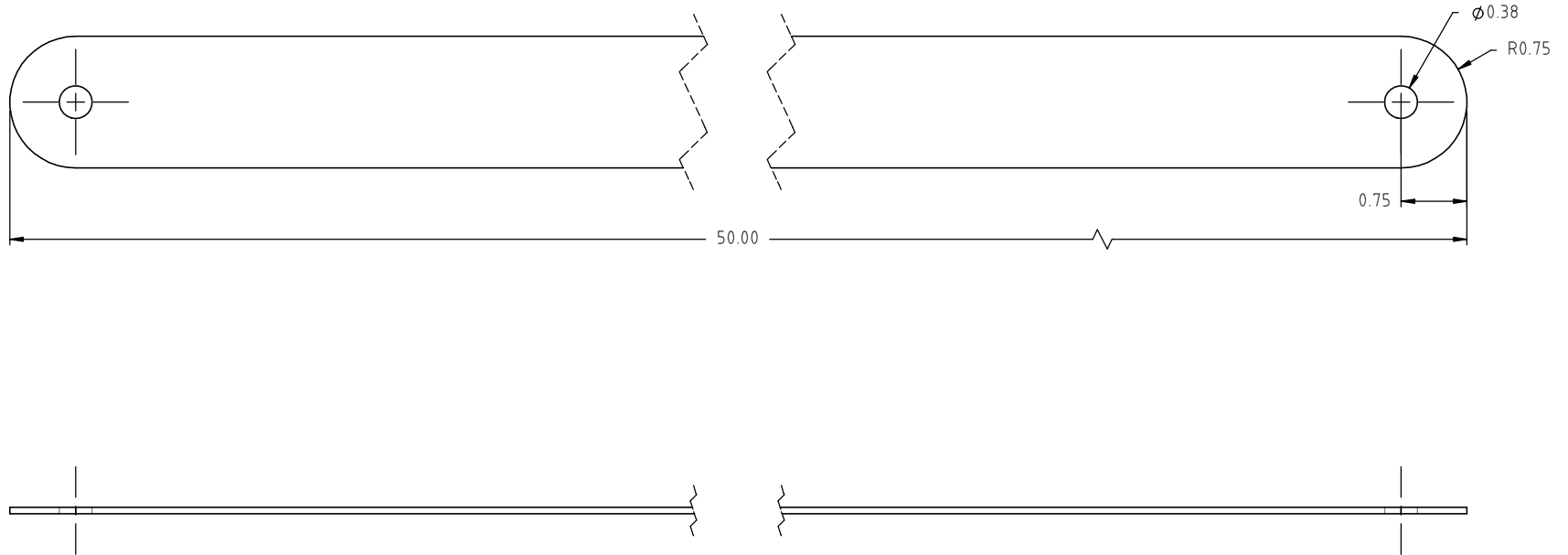
SHOT WEIGHT:	NOTES: E
	1.) 2 BANDS REQUIRED
SHIPPING WEIGHT: 18.00 LBS	
FINISH: POWDER COATING, BLACK TILE, 40012	

DESCRIPTION CRADLE FOR 25 GALLON HORIZONTAL

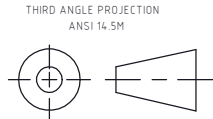
SCALE N.S.

PART NO. HZ0025-C

Copyright. All information furnished within this document, electronic file or design correspondence is the property of Den Hartog industries, Inc. and shall not be used, disclosed to others or copied without the expressed written consent of Den Hartog Industries, Inc.



				DRAWN / DATE NVE 7/7/06	MATERIAL 18GA STAINLESS STEEL, 1.5 X 50
				APPROD. / DATE ADH 8/30/12	
REV	DESCRIPTION	BY / DATE	CCN	SHOT WEIGHT:	NOTES:
	ALL DIMENSIONS ARE IN DECIMAL INCHES TOLERANCES UNLESS OTHERWISE SPECIFIED			SHIPPING WEIGHT: 1.0 LBS.	
	POLYETHYLENE ±1% @ 68°F			FINISH:	
	METAL DECIMAL ± .125" FRACTION ± 1/4" ANGLE ± 1°				



Den Hartog
INDUSTRIES, INC.

Ace Roto-Mold Injection Molding Blow Molding Sowjoy
4010 HOSPERS DRIVE S. BOX 425, HOSPERS, IOWA 51238-0425

DESCRIPTION	STEEL BAND FOR 25 GALLON HORIZONTAL TANK	
SCALE	N.S.	PART NO. HZ0025-CSBS