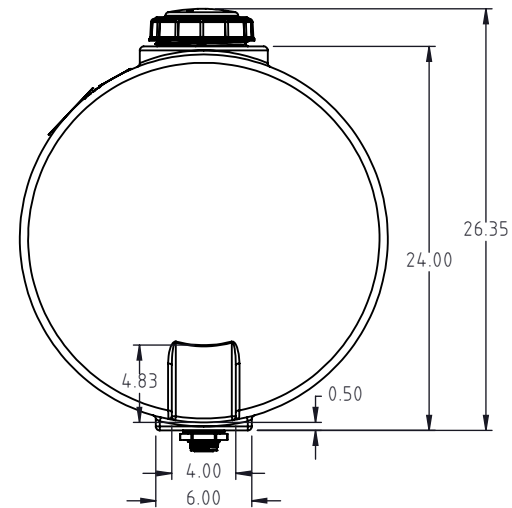
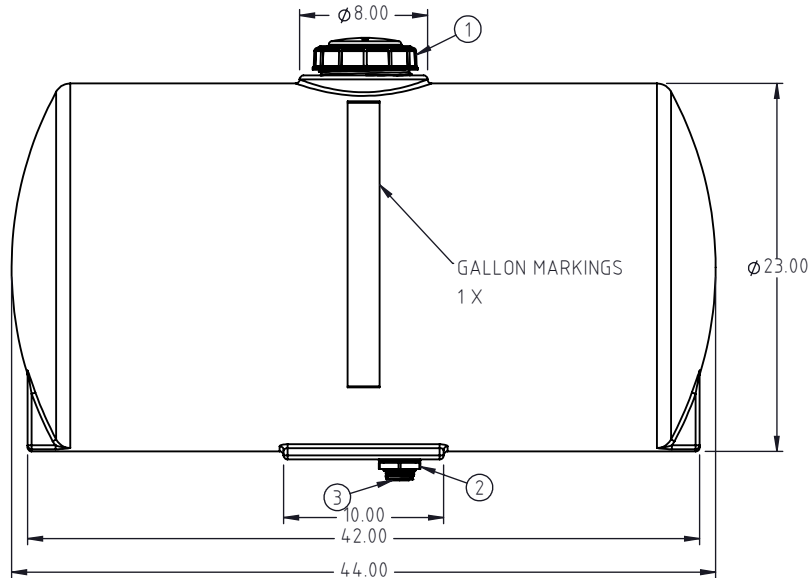
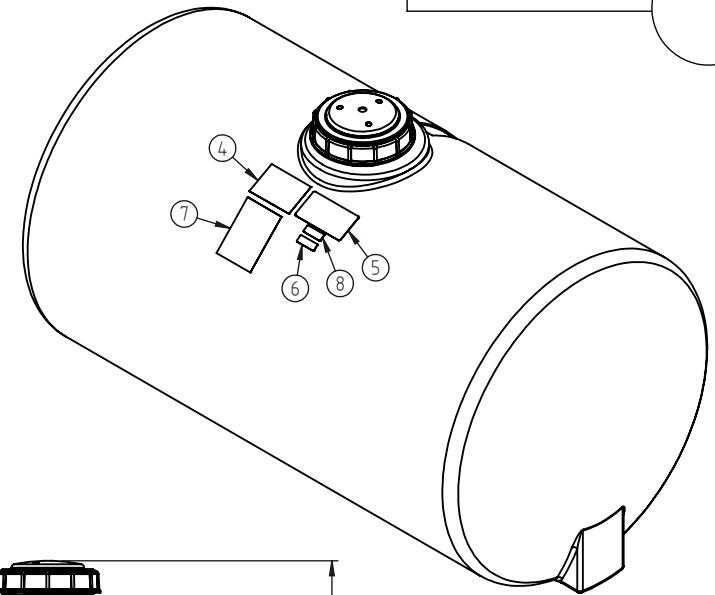


Copyright. All information furnished within this document, electronic file or design correspondence is the property of Den Hartog industries, Inc. and shall not be used, disclosed to others or copied without the expressed written consent of Den Hartog Industries, Inc.

ITEM NO.	PART NUMBER	DESCRIPTION	QTY.
1	13696	LID, 5" VENTED W/SPRING, BLACK DHI	1
2	10484	BULKHEAD, 3/4" HD FITTING.	1
3	10686	CAP PLUG, 3/4 T-12X RED	1
4	10351	LABEL, ACE SMALL	1
5	10357	LABEL, BARCODE 4" X 2"	1
6	14935	LABEL, PROP 65	1
7	19496	NSF/ANSI/CAN 61 MARKING LABEL	1
8	XXXX	LABEL, INSPECTION	1



DRAWN / DATE AJH 2/2/2026	MATERIAL : LLDPE
APPRD. / DATE BES 2/5/2026	
SHOT WEIGHT: 24 LBS.	NOTES: NOM. WALL 0.188"
SHIPPING WEIGHT: 25 LBS.	
FINISH:	



Den Hartog
INDUSTRIES, INC.

Ace Roto-Mold • Injection Molding • Blow Molding • Sowjoy
4010 HOSPERS DRIVE S. BOX 425, HOSPERS, IOWA 51238-0425

REV.	DESCRIPTION	BY	DATE	CCN
	ALL DIMENSIONS ARE IN DECIMAL INCHES TOLERANCES UNLESS OTHERWISE SPECIFIED			
	<u>POLYETHYLENE</u>			
	<u>METAL</u> DECIMAL ± .125" FRACTION ± 1/4" ANGLE ± 1°			
	±1% @ 68°F			
	THIRD ANGLE PROJECTION ANSI 14.5M			

DESCRIPTION HZ, 70 GAL HORIZONTAL TANK	SCALE N.S.	PART NO. HZ0070-23	SHEET 1 OF 1
---	---------------	-----------------------	-----------------