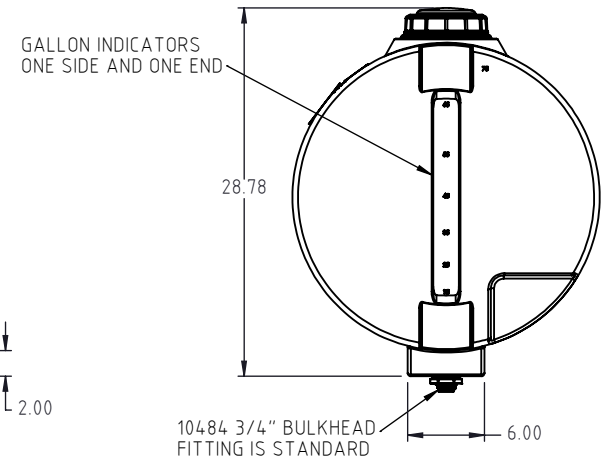
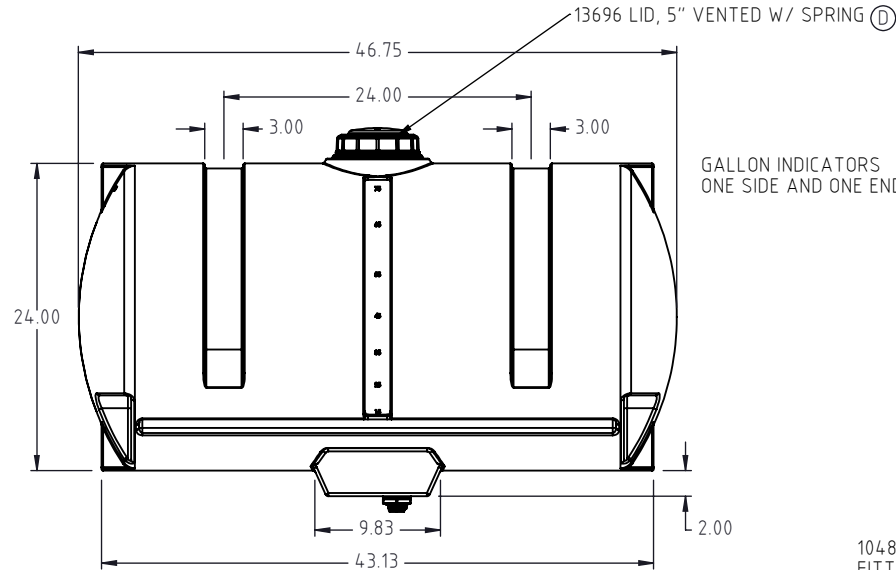
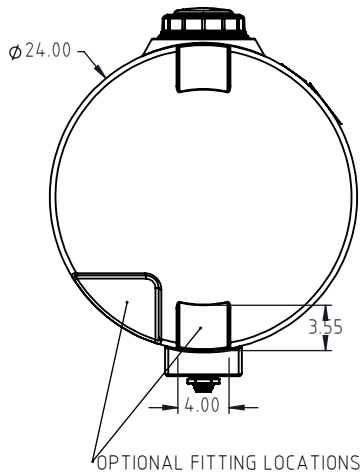
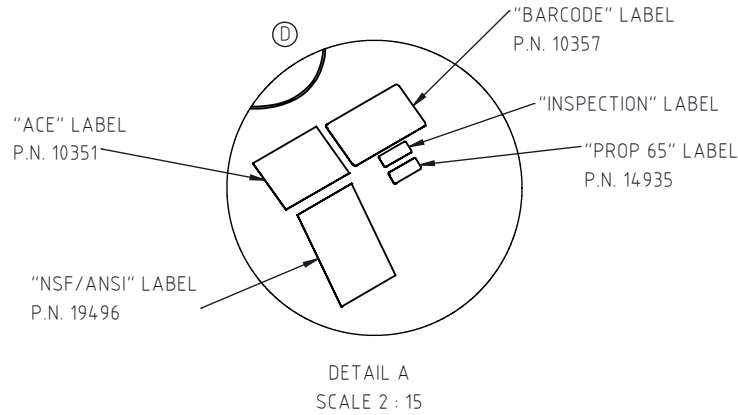
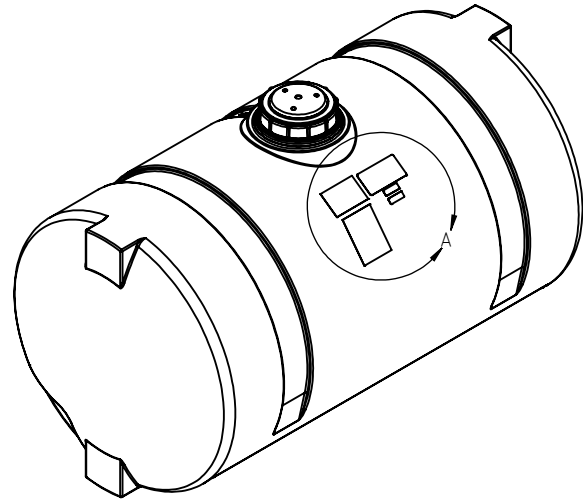


Copyright. All information furnished within this document, electronic file or design correspondence is the property of Den Hartog industries, Inc. and shall not be used, disclosed to others or copied without the expressed written consent of Den Hartog Industries, Inc.



D	13696 WAS 10522, LANYARD WAS REMOVED, LABELS ADDED, AND TEMPLATE UPDATED.	SRA	4/18/2024	4591	DRAWN / DATE	MATERIAL :
C	31 LBS WAS 30 LBS, PRINT TEMPLATE UPDATED	ADH	8/26/2009	1917	REH 5/10/2005	LLDPE
B	UPDATE FITTING		9/6/2006		APPRD. / DATE	
REV.	DESCRIPTION	BY	DATE	CCN	REH 5/10/2005	
ALL DIMENSIONS ARE IN DECIMAL INCHES TOLERANCES UNLESS OTHERWISE SPECIFIED		THIRD ANGLE PROJECTION ANSI 14.5M		SHOT WEIGHT: 31.00 LBS.		NOTES:
POLYETHYLENE		METAL		SHIPPING WEIGHT: 32.00 LBS.		
±1% @ 68°F		DECIMAL ± .125" FRACTION ± 1/4" ANGLE ± 1°		FINISH:		NOMINAL WALL THICKNESS: 0.188"

Den Hartog

INDUSTRIES, INC.

Ace Roto-Mold • Injection Molding • Blow Molding • Sowjoy
4010 HOSPERS DRIVE S. BOX 425, HOSPERS, IOWA 51238-0425

DESCRIPTION HZ, 75 GAL HORIZONTAL TANK		
SCALE N.S.	PART NO. HZ0075-24	SHEET 1 OF 1