

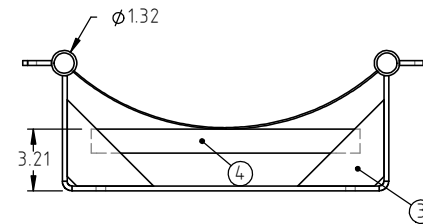
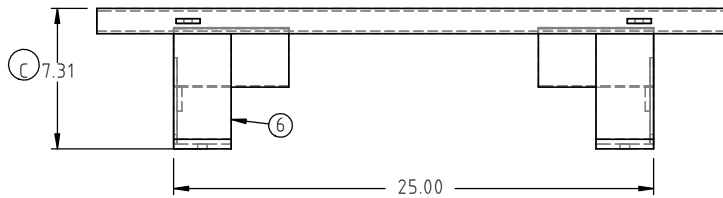
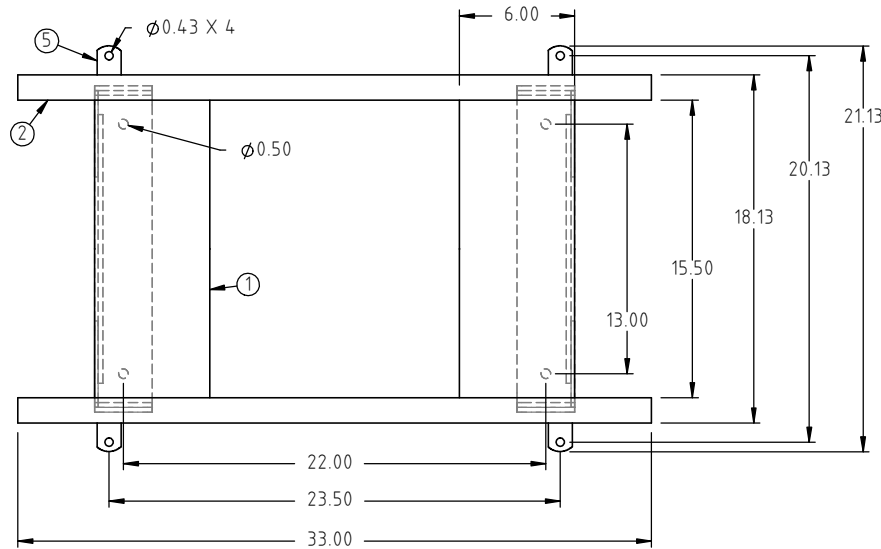
© DEN HARTOG INDUSTRIES, INC.

Copyright. All information furnished within this document, electronic file or design correspondence is the property of Den Hartog Industries, Inc. and shall not be used, disclosed to others or copied without the expressed written consent of Den Hartog Industries, Inc.

HZ0075-C

C

KEY	PART NUMBER	DESCRIPTION	QTY.
1	HZ0075-C-1	PAN	2
2	HZ0075-C-2	PIPE BRACE	2
3	HZ0095-C-2	STAND BRACKET	4
4	HZ0075-C-4	SUPPORT STRAP	2
5	SJHZ0095C-4	STRAP BRACKET	4
6	SJHZ0095C-6	CRADLE MOUNT	2



C	BAND DETAIL REMOVED FROM PRINT. DRAWING TEMPLATE UPDATED. 7.31 WAS 7.45. WEIGHT/FINISH ADDED.	ADH 8/26/15	3115	DRAWN / DATE	MATERIAL
B	TOLERANCE WAS 1% @ 68°F	GWC 3/14/07		ADH 8/1/07	
A	CHANGE HOLE SPACING	5/5/06		APPRD. / DATE	
REV	DESCRIPTION	BY / DATE	CCN	REH 11/26/07	
ALL DIMENSIONS ARE IN DECIMAL INCHES TOLERANCES UNLESS OTHERWISE SPECIFIED		THIRD ANGLE PROJECTION ANSI 14.5M		SHOT WEIGHT:	NOTES: C
POLYETHYLENE ±1% @ 68°F		METAL DECIMAL ± .125" FRACTION ± 1/4" ANGLE ± 1°		SHIPPING WEIGHT: 36.00 LBS	1.) TWO BANDS REQUIRED.
				FINISH: POWDER COATING, BLACK TILE, 40012	



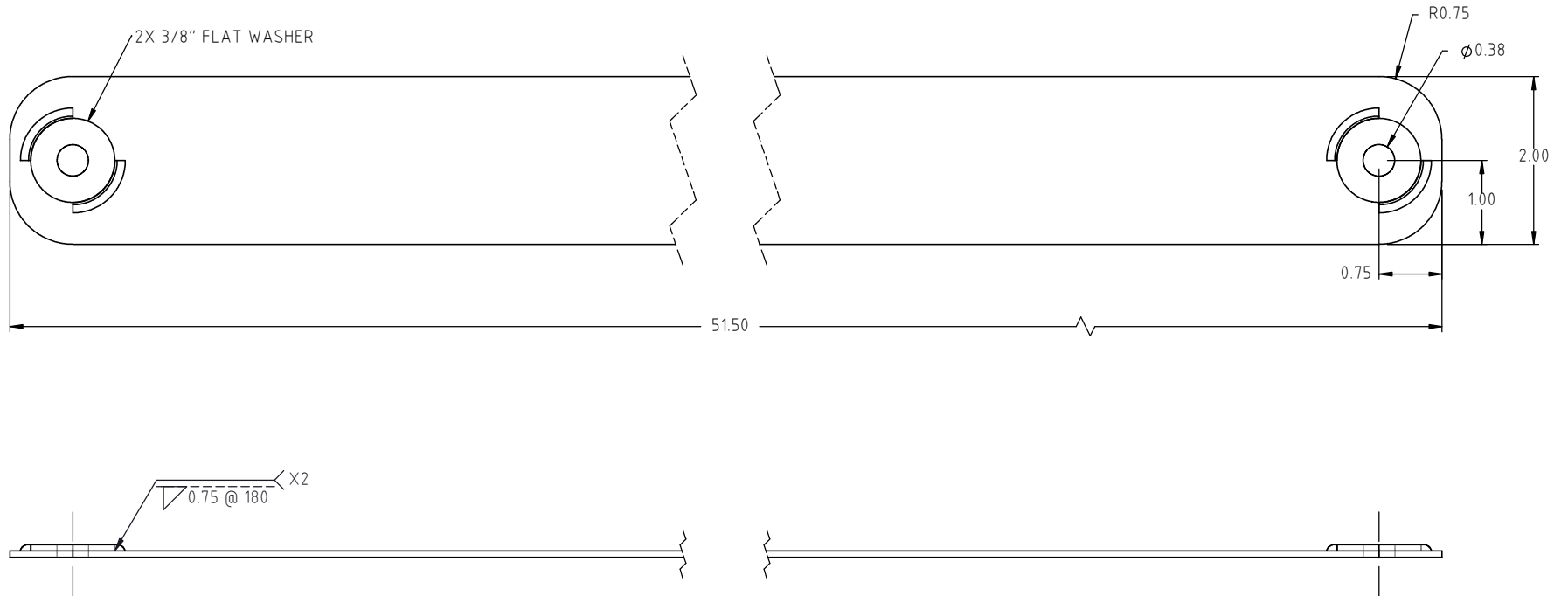
Den Hartog
INDUSTRIES, INC.

Ace Roto-Mold Injection Molding Blow Molding Sowjoy

4010 HOSPERS DRIVE S. BOX 425, HOSPERS, IOWA 51238-0425

DESCRIPTION	CRADLE FOR 75 GALLON HORIZONTAL	
SCALE	N.S.	PART NO. HZ0075-C

Copyright. All information furnished within this document, electronic file or design correspondence is the property of Den Hartog industries, Inc. and shall not be used, disclosed to others or copied without the expressed written consent of Den Hartog Industries, Inc.



				DRAWN / DATE NVE 7/7/06	MATERIAL 14GA MILD STEEL
				APPROD. / DATE ADH 9/15/15	
REV	DESCRIPTION	BY / DATE	CCN	SHOT WEIGHT:	NOTES:
				SHIPPING WEIGHT: 1.45 LBS.	
				FINISH: BLACK POWDER COATED	
ALL DIMENSIONS ARE IN DECIMAL INCHES TOLERANCES UNLESS OTHERWISE SPECIFIED POLYETHYLENE ±1% @ 68°F		THIRD ANGLE PROJECTION ANSI 14.5M 			

Den Hartog

INDUSTRIES, INC.

Ace Roto-Mold Injection Molding Blow Molding Sowjoy

4010 HOSPERS DRIVE S. BOX 425, HOSPERS, IOWA 51238-0425

DESCRIPTION STEEL BAND FOR 75/95 GALLON HORIZONTAL TANKS	
SCALE N.S.	PART NO. HZ0095-CSPS