

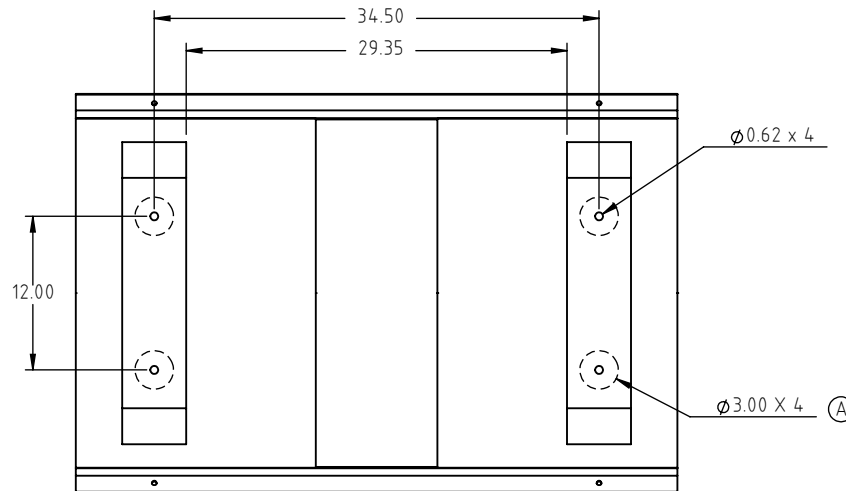
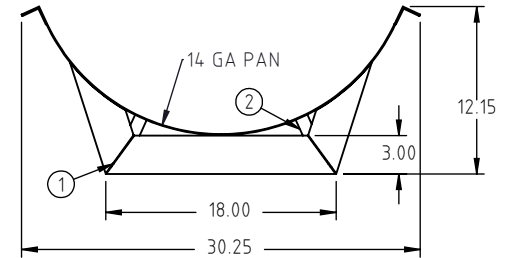
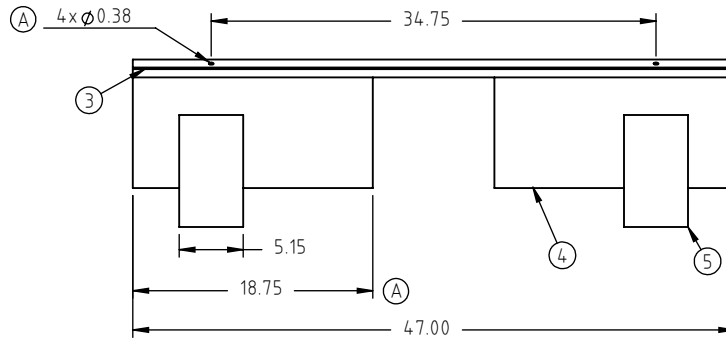
PROPRIETARY DATA

PROPERTY OF DEN HARTOG MFG., INC. INFORMATION FURNISHED HEREIN IS THE PROPERTY OF ACE ROTO-MOLD MFG., INC. AND SHALL NOT BE USED, DISCLOSED TO OTHERS, OR COPIED WITHOUT THE EXPRESSED WRITTEN CONSENT OF ACE ROTO-MOLD MFG., INC. ALL RIGHTS RESERVED.

KEY	PART NUMBER	MATERIAL	DESCRIPTION	QTY.
1	HZ0153-C-1	S-14GA	SHEET, 14GA	4 @ 1" X 2.75"(11 IN)
2	HZ0153-C-2	S-14GA	SHEET, 14GA	4 @ 1" X 4.5"(18 IN)
3	SJHZ0153C-1	A01250X15000	ANGLE, 1/8" X 1 1/2"	2 @ 47"(94 IN)
4	SJHZ0153C-3	S-14GA	SHEET, 14GA	2 @ 18.75" X 34"(1275 SI)
5	SJHZ0153C-6	S-14GA	SHEET, 14GA	2 @ 396"(792 SI)

HZ0153-C

A



REV	DESCRIPTION	BY / DATE	CCN	DRAWN / DATE	MATERIAL
A	3" PAN ACCESS HOLES ADDED 18.75 WAS 18.50, 0.38 WAS 0.44	ADH 4/23/09	1858	ADH 8/8/07	
				APPRD. / DATE REH 11/26/07	



Den Hartog
INDUSTRIES, INC.

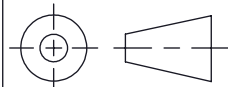
Ace Roto-Mold Injection Molding Blow Molding Sowjoy

4010 HOSPERS DRIVE S. BOX 425, HOSPERS, IOWA 51238-0421

ALL DIMENSIONS ARE IN DECIMAL INCHES
TOLERANCES UNLESS OTHERWISE SPECIFIED

DECIMAL ± .125"
FRACTION ± 1/4"
ANGLE ± 1°

THIRD ANGLE PROJECTION
ANSI 14.5M



NOTES:

DESCRIPTION CRADLE FOR 150 GALLON HORIZONTAL TANK

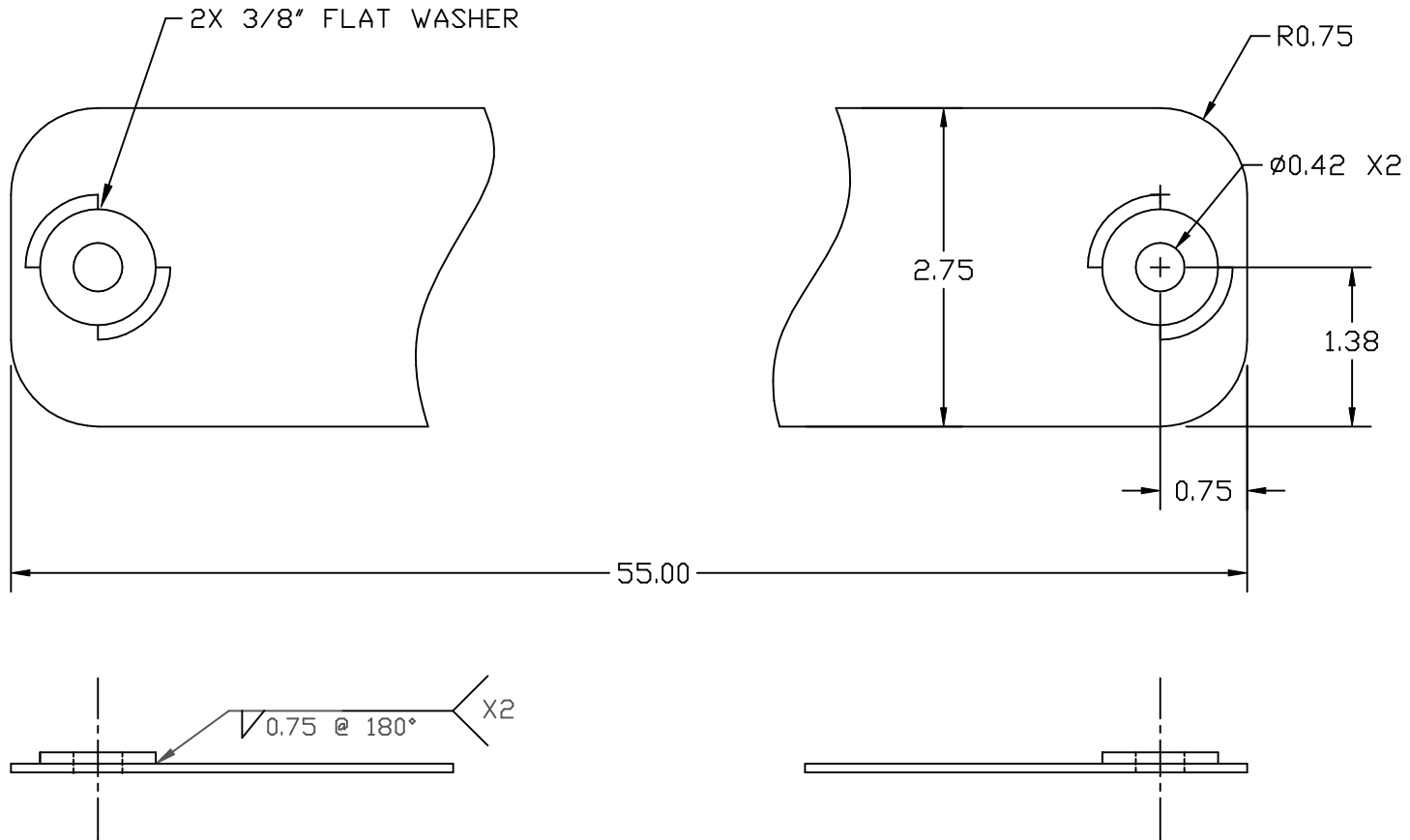
SCALE N.S.

PART NO. HZ0153-C


PROPRIETARY DATA

PROPERTY OF DEN HARTOG INDUSTRIES, INC. INFORMATION FURNISHED HEREIN IS THE PROPERTY OF DEN HARTOG INDUSTRIES, INC. AND SHALL NOT BE USED, DISCLOSED TO OTHERS, OR COPIED WITHOUT THE EXPRESSED WRITTEN CONSENT OF DEN HARTOG INDUSTRIES, INC. ALL RIGHTS RESERVED.

HZ0153-CSPS



				DRAWN / DATE NVE 7/7/06	MATERIAL 14GA MILD STEEL, 2.75 X 55
				APPRD. / DATE ADH 11/12/07	
REV	DESCRIPTION	DATE	APPRD	THIRD ANGLE PROJECTION ANSI 14.5M	NOTES: 1. BLACK COLOR - POWDER COATED 2. WEIGHT 3.2 LBS.
ALL DIMENSIONS ARE IN DECIMAL INCHES TOLERANCES UNLESS OTHERWISE SPECIFIED ± 1% @ 68° F					

 ACE ROTO-MOLD A DIVISION OF DEN HARTOG INDUSTRIES, INC. 4010 HWY. 60 BLVD, BOX 425, HOSPERS, IOWA 51238	
CLIENT / DESCRIPTION STEEL BAND FOR 150 GALLON, Ø30 HORIZONTAL TANK	
SCALE N.S.	PART NO. HZ0153-CSPS