

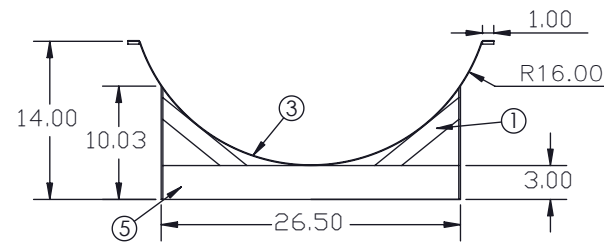
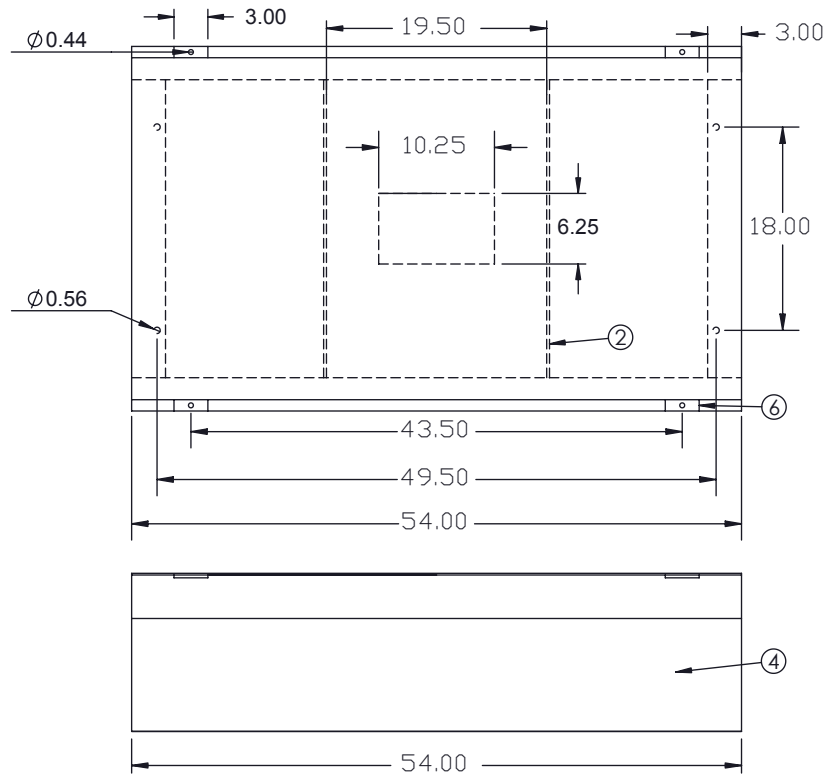
PROPRIETARY DATA

HZ0232-C

B

PROPERTY OF DEN HARTOG MFG., INC. INFORMATION FURNISHED HEREIN IS THE PROPERTY OF ACE ROTO-MOLD MFG., INC. AND SHALL NOT BE USED, DISCLOSED TO OTHERS, OR COPIED WITHOUT THE EXPRESSED WRITTEN CONSENT OF ACE ROTO-MOLD MFG., INC. ALL RIGHTS RESERVED.

KEY	PART NUMBER	MATERIAL	DESCRIPTION	QTY.
1	HZ0232-C-1	B02500X15000	FLAT, 0.25 X 1.5	4 @ 10" (40 IN)
2	HZ0232-C-2	B02500X30000	FLAT, 0.25 X 3	2 @ 26.25 (52.5 IN)
3	HZ0232-C-3	S-14GA	SHEET, 14 GA	42" X 54" (2268 SI)
4	HZ0232-C-4	S-14GA	SHEET, 14 GA	2 @ 13" X 54" (1404 SI)
5	SJHZ0232C-1	A01875X30000	ANGLE, .1875 X 3	2 @ 26.25" (52.5)
6	SJHZ0232C-4	B02500X10000	FLAT, .25 X 1	4 @ 3" (12 IN)



				DRAWN / DATE ADH 8/13/07	MATERIAL
B	TOLERANCE WAS 1% @ 68°F	GWC 3/14/07		APPRD. / DATE REH 11/26/07	
A	ADDED B.O.M., ISOLATED CRADLE	NVE 6/14/06			
REV	DESCRIPTION	BY / DATE	CCN		
ALL DIMENSIONS ARE IN DECIMAL INCHES TOLERANCES UNLESS OTHERWISE SPECIFIED DECIMAL ± .125" FRACTION ± 1/4" ANGLE ± 1°				THIRD ANGLE PROJECTION ANSI 14.5M 	NOTES:



Den Hartog
INDUSTRIES, INC.

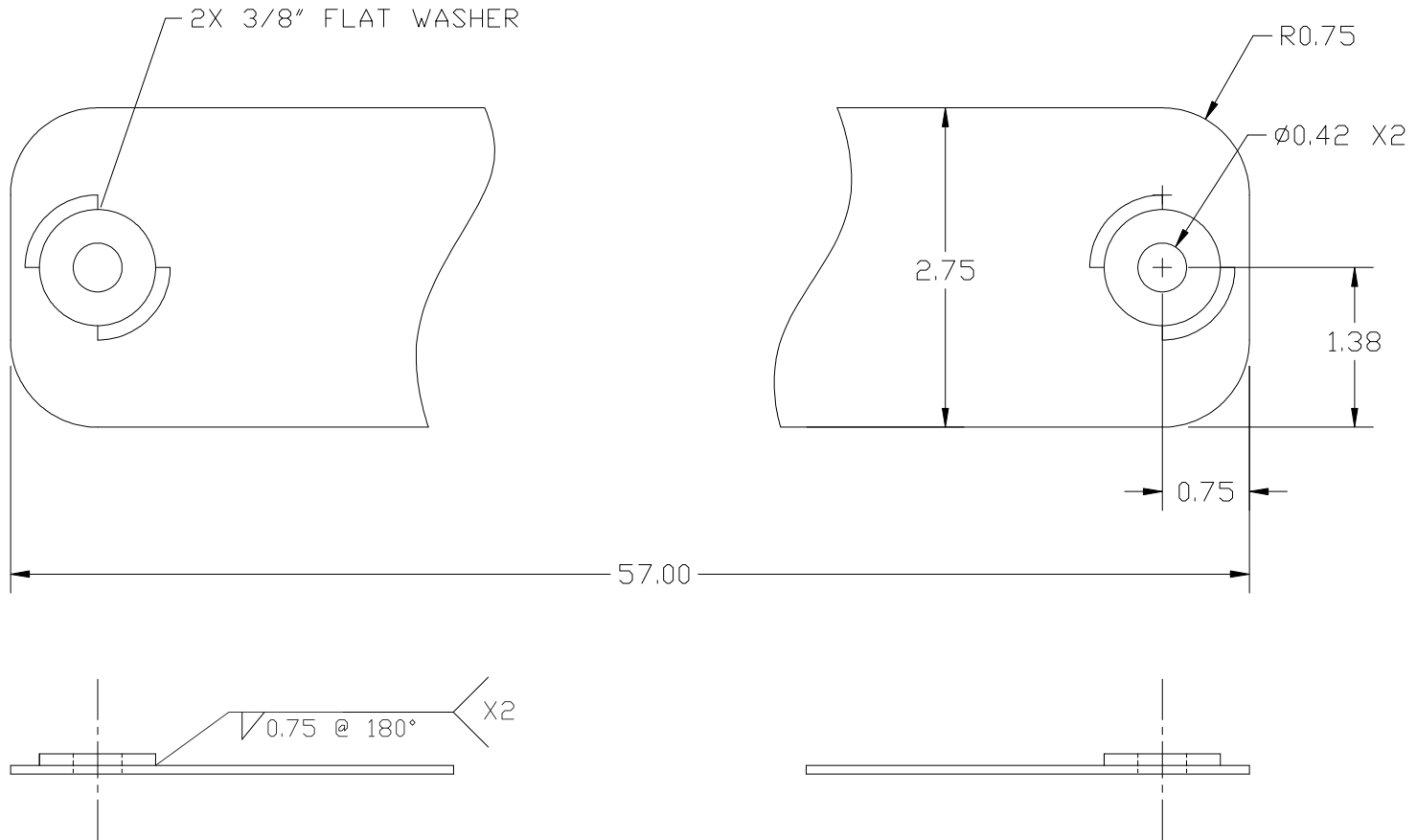
Ace Roto-Mold Injection Molding Blow Molding Sowjoy
4010 HOSPERS DRIVE S. BOX 425, HOSPERS, IOWA 51238-0421


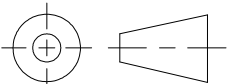
DESCRIPTION	CRADLE FOR 200 GALLON ϕ 32 HORIZONTAL TANK	
SCALE	N.S.	PART NO. HZ0232-C

PROPRIETARY DATA

PROPERTY OF DEN HARTOG INDUSTRIES, INC. INFORMATION FURNISHED HEREIN IS THE PROPERTY OF DEN HARTOG INDUSTRIES, INC. AND SHALL NOT BE USED, DISCLOSED TO OTHERS, OR COPIED WITHOUT THE EXPRESSED WRITTEN CONSENT OF DEN HARTOG INDUSTRIES, INC. ALL RIGHTS RESERVED.

HZ0232-CSPS



				DRAWN / DATE NVE 7/7/06		MATERIAL		 ACE ROTO-MOLD A DIVISION OF DEN HARTOG INDUSTRIES, INC. 4010 HWY. 60 BLVD, BOX 425, HOSPERS, IOWA 51238	
				APPRD. / DATE ADH 5/27/10		14GA MILD STEEL, 2.75 X 57			
REV	DESCRIPTION	DATE	APPRD	THIRD ANGLE PROJECTION ANSI 14.5M 		NOTES: 1. BLACK COLOR - POWDER COATED 2. WEIGHT 3.3 LBS.		CLIENT / DESCRIPTION	
ALL DIMENSIONS ARE IN DECIMAL INCHES TOLERANCES UNLESS OTHERWISE SPECIFIED $\pm 1\% @ 68^{\circ} F$								STEEL BAND FOR 200 GALLON, Ø32 HORIZONTAL TANK	
						SCALE		PART NO.	
						N.S.		HZ0232-CSPS	