

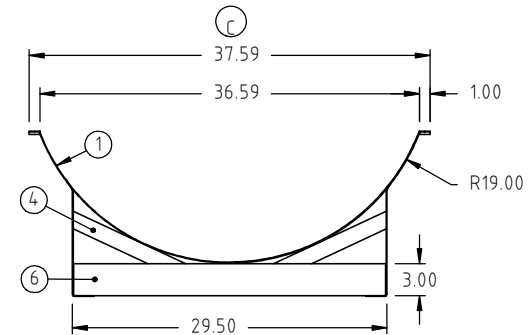
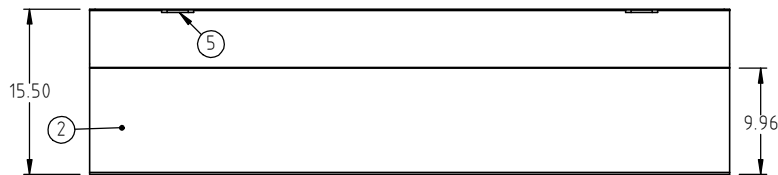
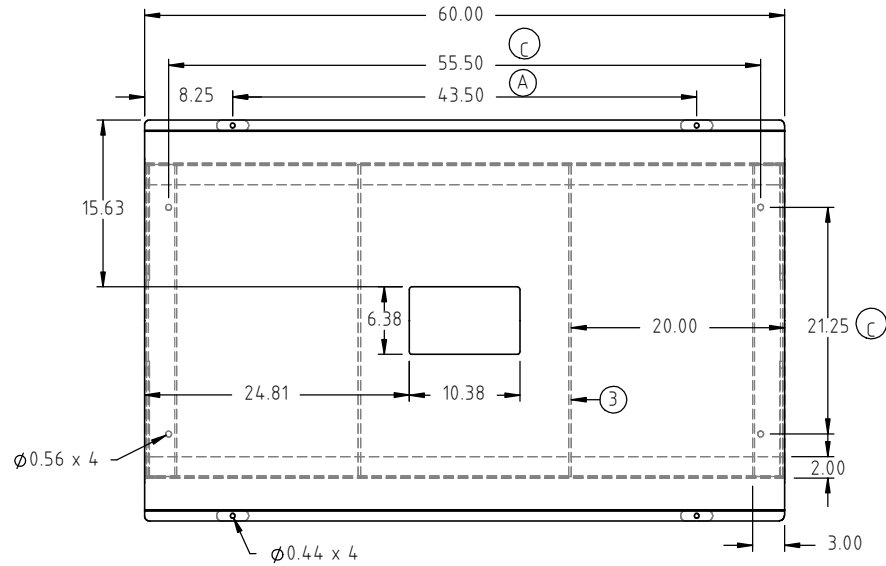
© DEN HARTOG INDUSTRIES, INC.

Copyright. All information furnished within this document, electronic file or design correspondence is the property of Den Hartog Industries, Inc. and shall not be used, disclosed to others or copied without the expressed written consent of Den Hartog Industries, Inc.

KEY	PART NUMBER	MATERIAL	DESCRIPTION	QTY.
1	HZ0300-C-1	S-14GA	SHEET, 14GA	48" X 60"(2880 SI)
2	HZ0300-C-2	S-14GA	SHEET, 14GA	2 @ 13" X 60"(2880 SI)
3	HZ0300-C-3	B02500X30000	FLAT, 1/4" X 3"	2 @ 29.25" (58.5 IN)
4	HZ0300-C-4	B02500X15000	FLAT, 1/4" X 1 1/2"	4 @ 12" (48 IN)
5	SJHZ0232C-4	B02500X10000	STRAP SUPPORT	4 @ 3"(12 IN)
6	SJHZ0238C-2	A01875X30000	BASE ANGLE	2 @ 29.25" (58.5 IN)

HZ0300-C

C



C	BOM TABLE/ DRAWING TEMPLATE UPDATED, 37.59" WAS 37.67", 55.50" WAS 56.00", 21.25" WAS 21.00"	ADH 12/3/14	2970	DRAWN / DATE ADH 8/14/07	MATERIAL
B	TOLERANCE WAS 1% @ 68°F	GWC 3/14/07		APPRD. / DATE REH 11/26/07	
A	CHANGE □ C HOLE DIM	4/10/06			
REV	DESCRIPTION	BY / DATE	CCN		
ALL DIMENSIONS ARE IN DECIMAL INCHES TOLERANCES UNLESS OTHERWISE SPECIFIED		THIRD ANGLE PROJECTION ANSI 14.5M		SHOT WEIGHT:	NOTES:
POLYETHYLENE		METAL DECIMAL ± .125" FRACTION ± 1/4" ANGLE ± 1°		SHIPPING WEIGHT:	
±1% @ 68°F				FINISH:	



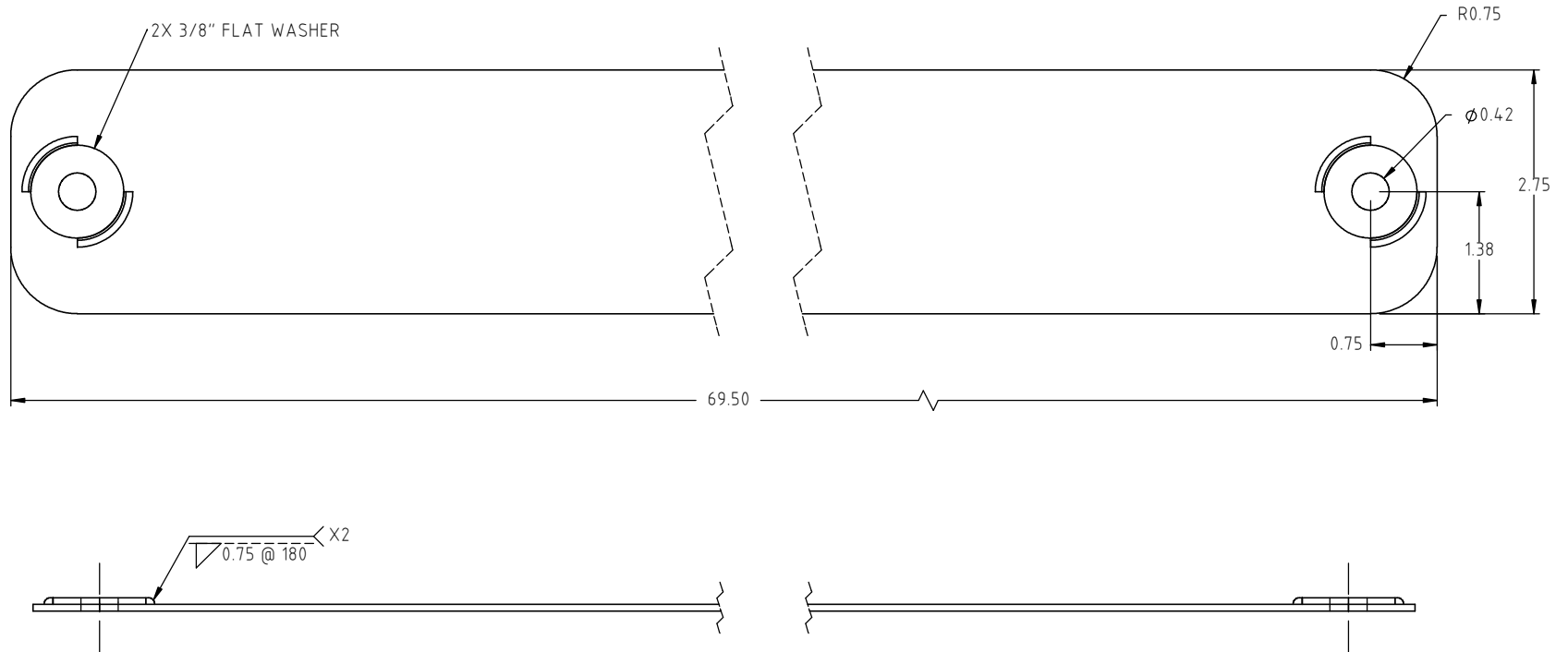
Den Hartog
INDUSTRIES, INC.

Ace Roto-Mold Injection Molding Blow Molding Sowjoy


4010 HOSPERS DRIVE S. BOX 425, HOSPERS, IOWA 51238-0425

DESCRIPTION	CRADLE FOR 300 GALLON HORIZONTAL TANK	
SCALE	N.S.	PART NO. HZ0300-C

Copyright. All information furnished within this document, electronic file or design correspondence is the property of Den Hartog Industries, Inc. and shall not be used, disclosed to others or copied without the expressed written consent of Den Hartog Industries, Inc.



				DRAWN / DATE NVE 7/7/06	MATERIAL 14GA MILD STEEL,
				APPROD. / DATE REH 7/7/06	
REV	DESCRIPTION	BY / DATE	CCN		
ALL DIMENSIONS ARE IN DECIMAL INCHES TOLERANCES UNLESS OTHERWISE SPECIFIED		THIRD ANGLE PROJECTION ANSI 14.5M		SHOT WEIGHT:	NOTES:
POLYETHYLENE		METAL DECIMAL ± .125" FRACTION ± 1/4" ANGLE ± 1°		SHIPPING WEIGHT: 4.0 LBS.	
±1% @ 68°F				FINISH: BLACK POWDER COATED	



Den Hartog

INDUSTRIES, INC.

Acra Roto-Mold Injection Molding Blow Molding Sawjeoy

4010 HOSPERS DRIVE S. BOX 425, HOSPERS, IOWA 51238-0425

DESCRIPTION STEEL BAND FOR 300 GALLON HORIZONTAL TANKS	
SCALE N.S.	PART NO. HZ0300-CSPS