

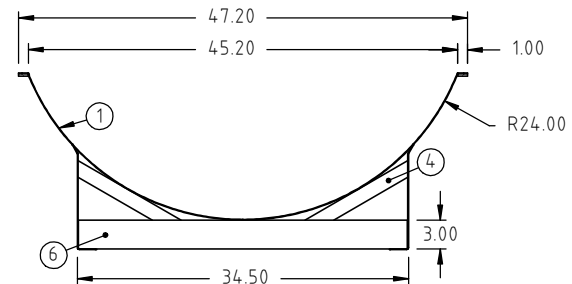
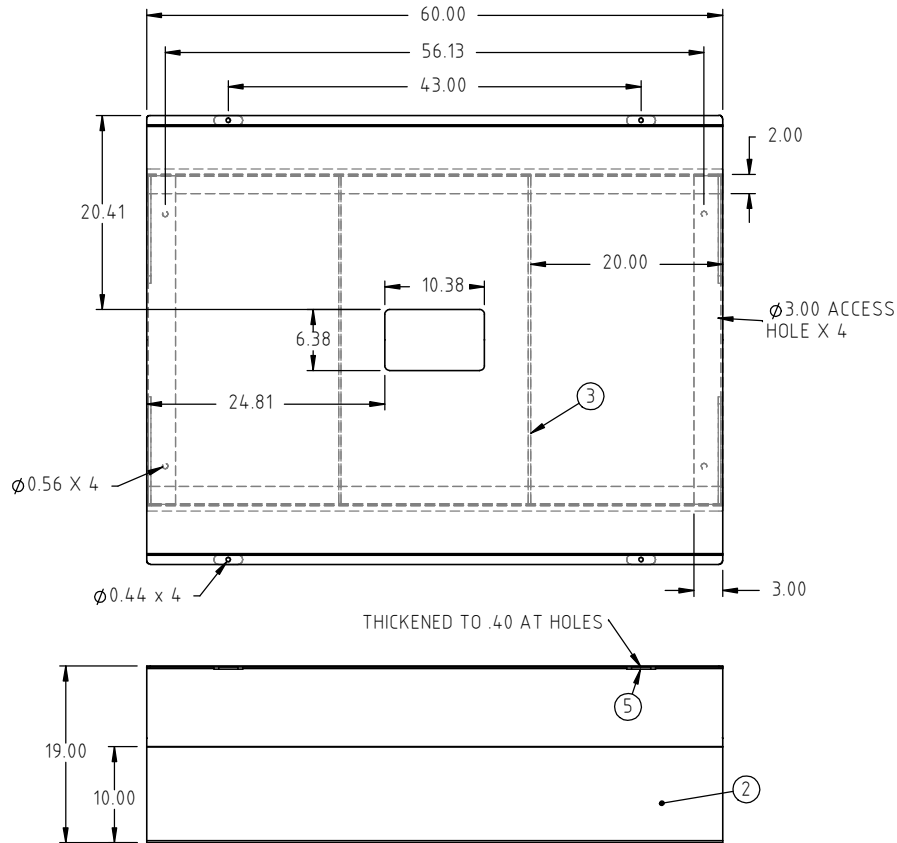
© DEN HARTOG INDUSTRIES, INC.

Copyright. All information furnished within this document, electronic file or design correspondence is the property of Den Hartog Industries, Inc. and shall not be used, disclosed to others or copied without the expressed written consent of Den Hartog Industries, Inc.

KEY	PART NUMBER	DESCRIPTION	QTY.
1	HZ0500-C-1	PAN	1
2	HZ0500-C-2	SIDE PANLE	2
3	HZ0500-C-3	BASE STRAP	2
4	HZ0500-C-4	PAN SUPPORT	4
5	SJHZ0232C-4	STRAP SUPPORT	4
6	SJHZ0500C-1	BASE ANGLE	2

HZ0500-C

C



C	BAND DETAIL REMOVED FROM PRINT. WEIGHT AND FINISH ADDED TO PRINT.	ADH 8/26/15	3115	DRAWN / DATE	MATERIAL
B	3/8"X3-3/4" J BOLTS WERE 5/16"X3" J BOLTS 88.00" WAS 86.50", DRAWING TEMPLATE UPDATED	ADH 1/10/13	2556	ADH 8/16/07	
A	TOLERANCE WAS 1% @ 68°F	GWC 3/15/07		APPRD. / DATE	
REV	DESCRIPTION	BY / DATE	CCN	REH 11/26/07	
ALL DIMENSIONS ARE IN DECIMAL INCHES TOLERANCES UNLESS OTHERWISE SPECIFIED		THIRD ANGLE PROJECTION ANSI 14.5M		SHOT WEIGHT:	NOTES:
POLYETHYLENE	METAL DECIMAL ± .125" FRACTION ± 1/4" ANGLE ± 1°			SHIPPING WEIGHT: 170.00 LBS	
±1% @ 68°F				FINISH: POWDER COATING, BLACK TILE, 40012	



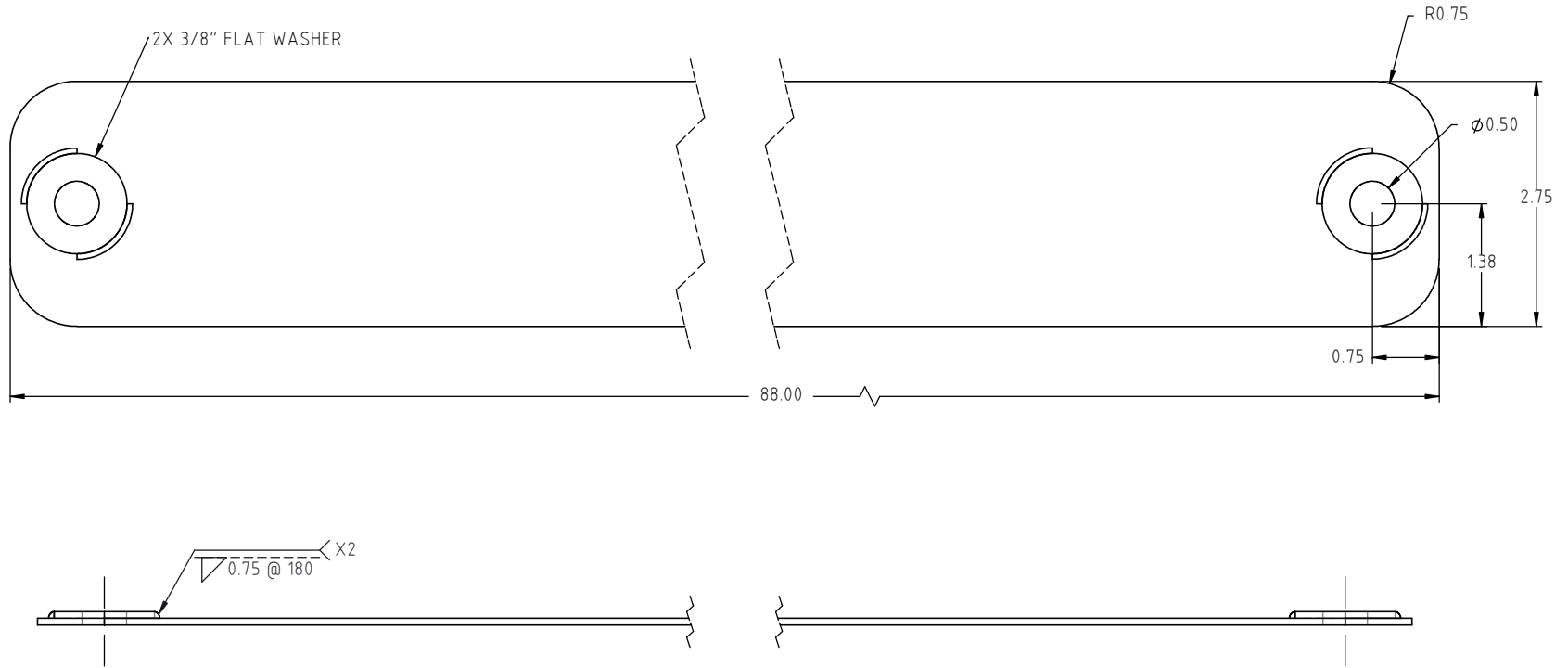
**Den Hartog**  
INDUSTRIES, INC.

Ace Roto-Mold Injection Molding Blow Molding Sowjoy

4010 HOSPERS DRIVE S. BOX 425, HOSPERS, IOWA 51238-0425

DESCRIPTION	CRADLE FOR 500 GALLON HORIZONTAL TANK	
SCALE	N.S.	PART NO. HZ0500-C

Copyright. All information furnished within this document, electronic file or design correspondence is the property of Den Hartog Industries, Inc. and shall not be used, disclosed to others or copied without the expressed written consent of Den Hartog Industries, Inc.



				DRAWN / DATE ADH 12/28/12	MATERIAL 14GA MILD STEEL,
				APPROD. / DATE REH 1/26/16	
REV	DESCRIPTION	BY / DATE	CCN		
ALL DIMENSIONS ARE IN DECIMAL INCHES TOLERANCES UNLESS OTHERWISE SPECIFIED		THIRD ANGLE PROJECTION ANSI 14.5M		SHOT WEIGHT:	NOTES:
POLYETHYLENE		METAL DECIMAL ± .125" FRACTION ± 1/4" ANGLE ± 1°		SHIPPING WEIGHT: 5.20 LBS.	
±1% @ 68°F				FINISH: BLACK POWDER COATED	



**Den Hartog**  
INDUSTRIES, INC.

Ace Roto-Mold Injection Molding Blow Molding Sowjoy

4010 HOSPERS DRIVE S. BOX 425, HOSPERS, IOWA 51238-0425

DESCRIPTION STEEL BAND FOR 500 GALLON HORIZONTAL TANKS

SCALE N.S.

PART NO. HZ0500-CSPS