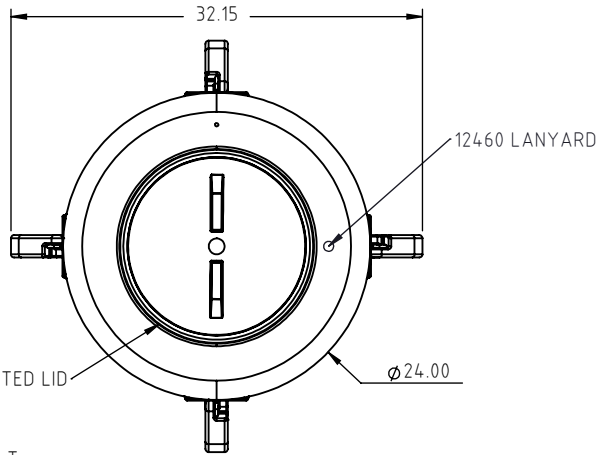
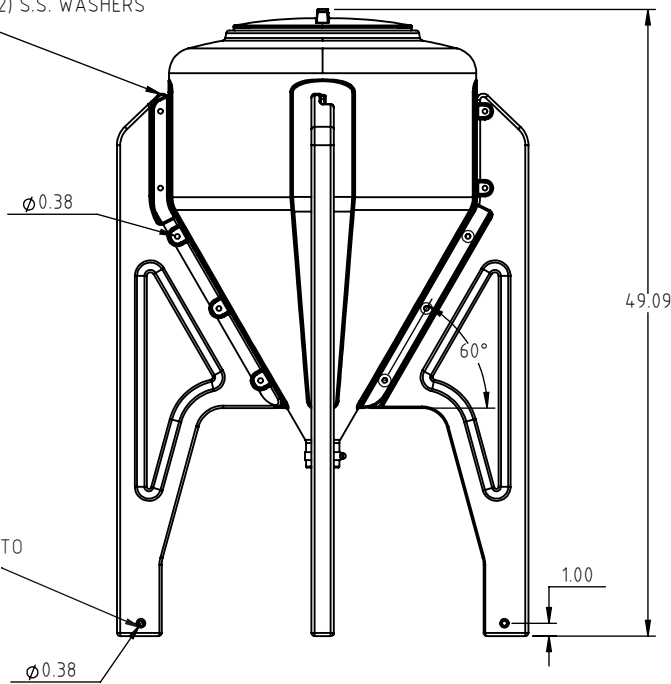


Copyright. All information furnished within this document, electronic file or design correspondence is the property of Den Hartog industries, Inc. and shall not be used, disclosed to others or copied without the expressed written consent of Den Hartog Industries, Inc.

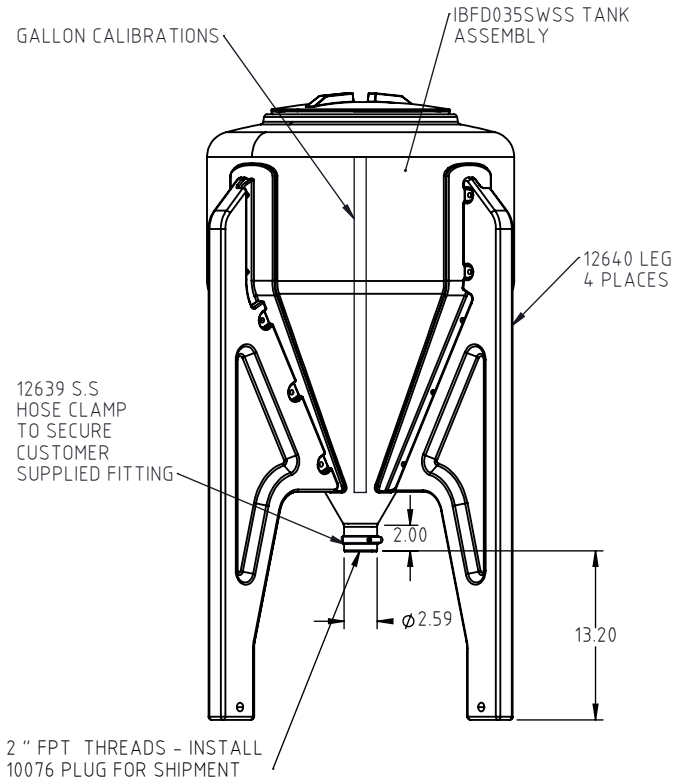


10526 12" NON-VENTED LID

HARDWARE BAG 12641
(1) 5/16" X 1 1/4" S.S. BOLT,
(1) L. NUT & (2) S.S. WASHERS
20 PLACES



USE THESE HOLES TO ANCHOR INDUCTOR



				DRAWN / DATE ADH 8/25/08	MATERIAL
				APPROD. / DATE REH 6/11/09	
REV	DESCRIPTION	BY / DATE	CCN	SHOT WEIGHT:	NOTES:
				SHIPPING WEIGHT:	
				FINISH:	
ALL DIMENSIONS ARE IN DECIMAL INCHES TOLERANCES UNLESS OTHERWISE SPECIFIED		THIRD ANGLE PROJECTION ANSI 14.5M			
POLYETHYLENE ±1% @ 68°F		METAL DECIMAL ± .125" FRACTION ± 1/4" ANGLE ± 1°			



Den Hartog
INDUSTRIES, INC.

Ace Roto-Mold Injection Molding Blow Molding Sowjoy

4010 HOSPERS DRIVE S. BOX 425, HOSPERS, IOWA 51238-0421

DESCRIPTION 35 GALLON BLOW MOLDED INDUCTOR AND LEGS	
SCALE N.S.	PART NO. IBFD35-SET