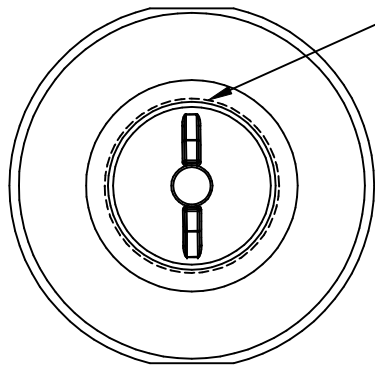


PROPRIETARY DATA

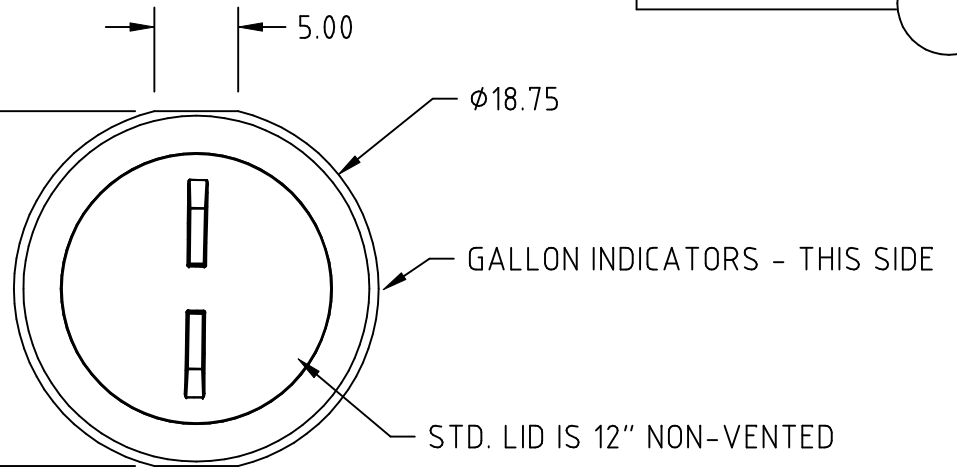
PROPERTY OF ACE ROTO-MOLD MFG., INC. INFORMATION FURNISHED HEREIN IS THE PROPERTY OF ACE ROTO-MOLD MFG., INC. AND SHALL NOT BE USED, DISCLOSED TO OTHERS, OR COPIED WITHOUT THE EXPRESSED WRITTEN CONSENT OF ACE ROTO-MOLD MFG., INC. ALL RIGHTS RESERVED.

IN0015-19SM

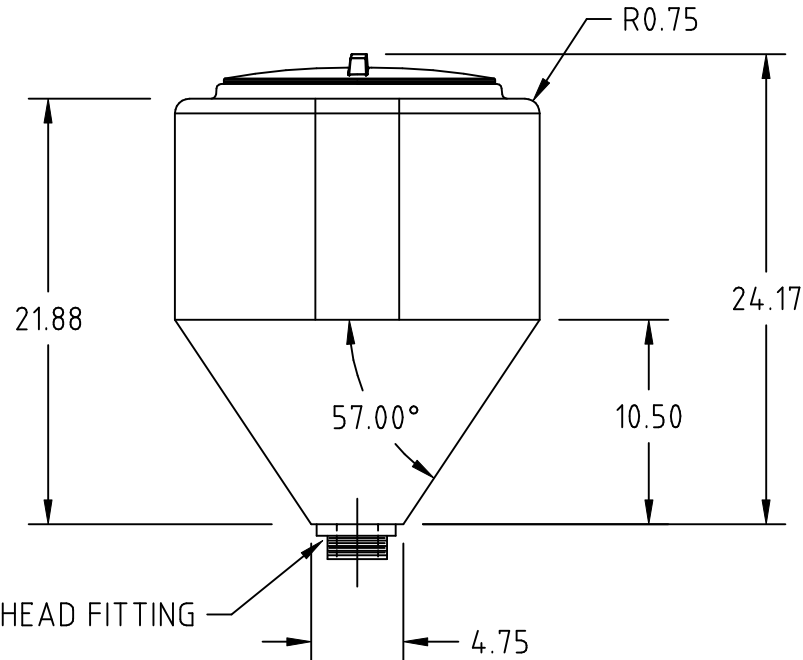
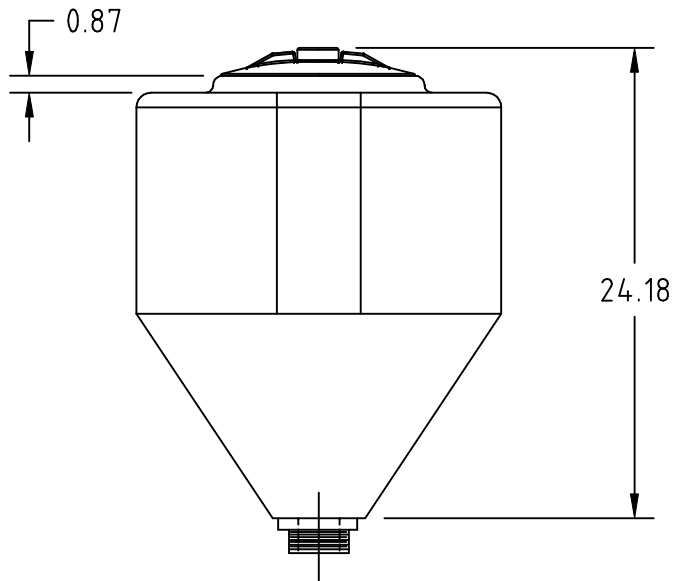


8" LID IS AVAILABLE

18.5 ACROSS FLATS



STD. LID IS 12" NON-VENTED



STD. FITTING IS 2" BULK HEAD FITTING

REV	DESCRIPTION	DATE	APPRD

DRAWN / DATE
REH / 11/11/02

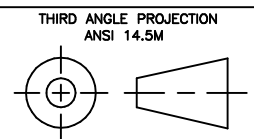
APPRD. / DATE
REH / 11/11/02

MATERIAL
8 LB. 8460

ACE ROTO-MOLD
A DIVISION OF DEN HARTOG INDUSTRIES, INC.
4018 HWY. 60 BLVD., BOX 421, HOSPERS, IOWA 51238

CLIENT / DESCRIPTION
15 GALLON SIDE MOUNT INDUCTOR TANK

ALL DIMENSIONS ARE IN DECIMAL INCHES
TOLERANCES UNLESS OTHERWISE SPECIFIED
± .5% @ 68° F



NOTES:
1. NATURAL COLOR
2. NOM. WALL .140

SCALE
N.S.

PART NO.
IN0015-19SM