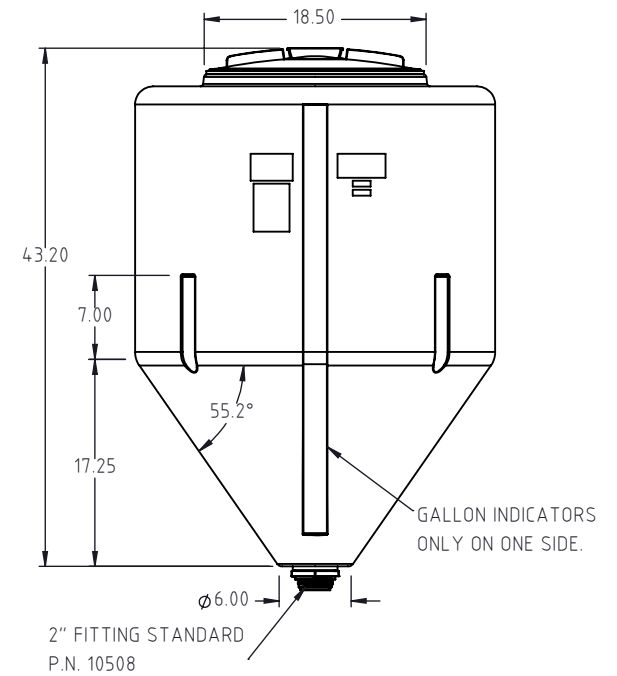
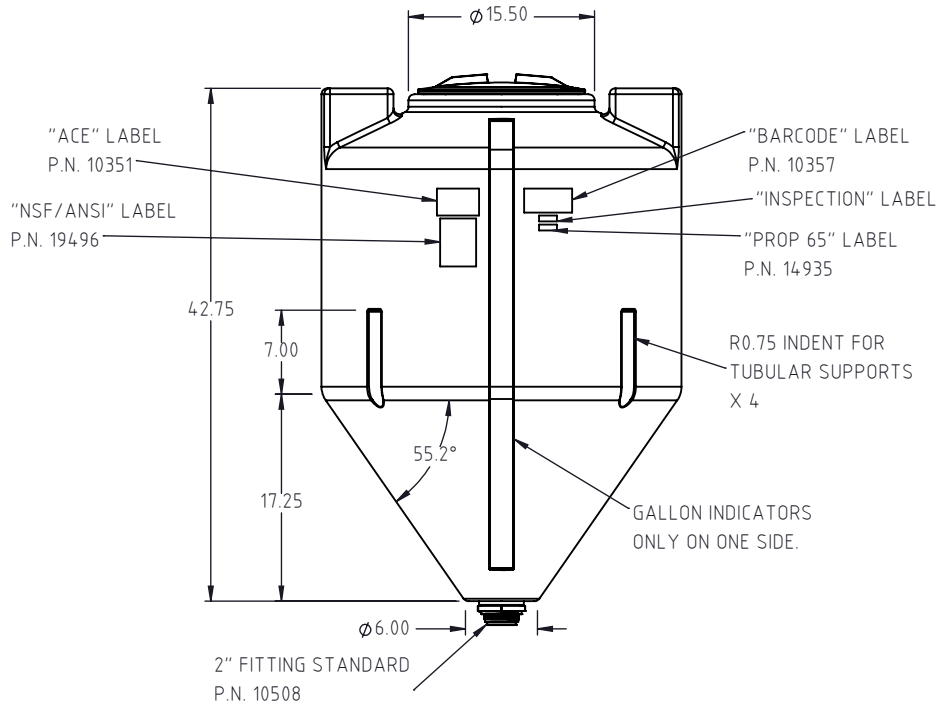
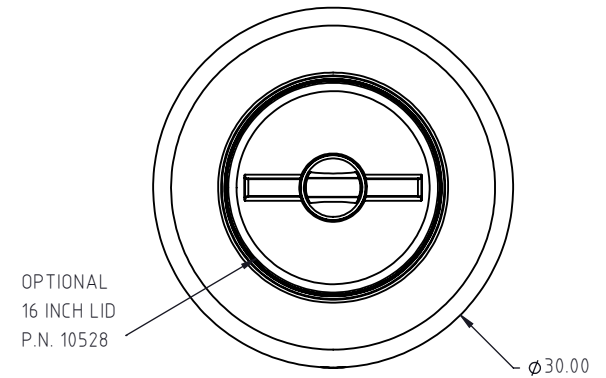
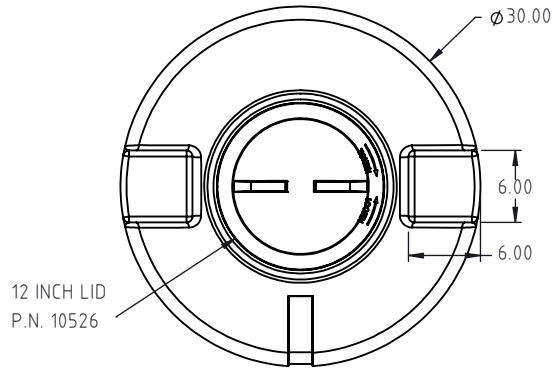


Copyright. All information furnished within this document, electronic file or design correspondence is the property of Den Hartog industries, Inc. and shall not be used, disclosed to others or copied without the expressed written consent of Den Hartog Industries, Inc.



C	ADDED ANGLE & LAYOUT UPDATED	SRA	8/26/24	4542	DRAWN / DATE	MATERIAL :
B	BOM TABLE ADDED. 16" LID DETAIL SHEET ADDED.	ADH	2/1/2023	4384	NVE 6/16/2005	LLDPE
A	SHORTENED CONE 0.75"	DHJ	3/17/2008	1627	APPRD. / DATE	
REV.	DESCRIPTION	BY	DATE	CCN	DHJ 6/22/2005	
ALL DIMENSIONS ARE IN DECIMAL INCHES TOLERANCES UNLESS OTHERWISE SPECIFIED		THIRD ANGLE PROJECTION ANSI 14.5M		SHOT WEIGHT: 35 LBS.		NOTES: 1.) 0.23" NOM. WALL
POLYETHYLENE		METAL		SHIPPING WEIGHT: 37 LBS.		
±1% @ 68°F		DECIMAL ± .125" FRACTION ± 1/4" ANGLE ± 1°		FINISH:		

Den Hartog

INDUSTRIES, INC.

Ace Roto-Mold • Injection Molding • Blow Molding • Sowjoy
4010 HOSPERS DRIVE S. BOX 425, HOSPERS, IOWA 51238-0425

DESCRIPTION 85 GALLON INDUCTOR TANK.		
SCALE N.S.	PART NO. IN0085-30	SHEET 1 OF 1