

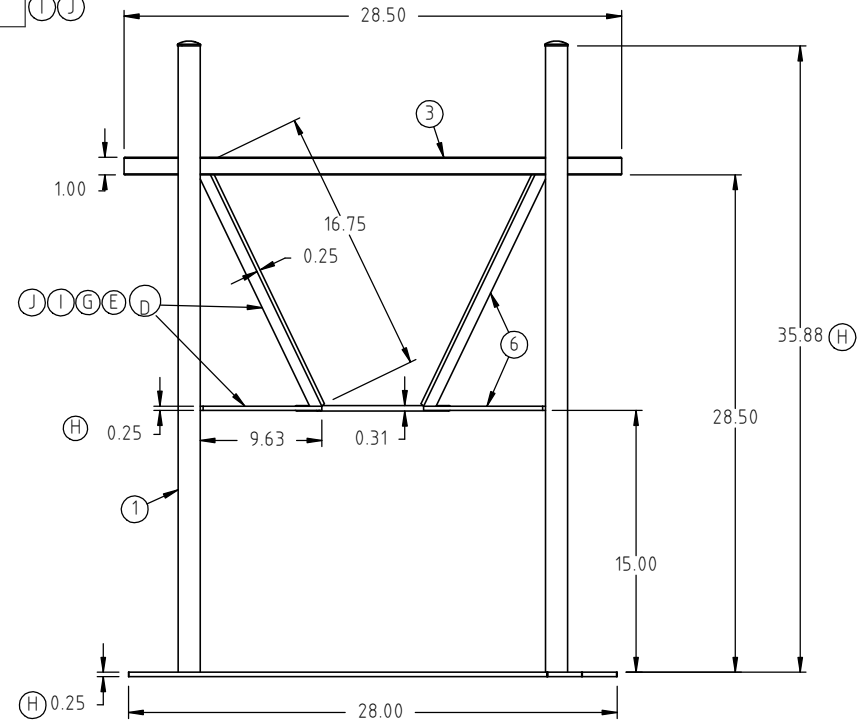
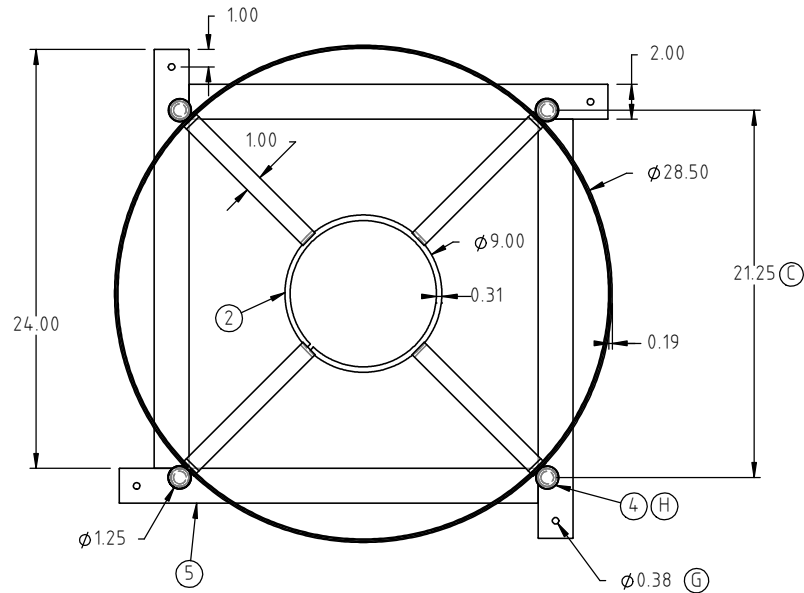
© DEN HARTOG INDUSTRIES, INC.

Copyright. All information furnished within this document, electronic file or design correspondence is the property of Den Hartog Industries, Inc. and shall not be used, disclosed to others or copied without the expressed written consent of Den Hartog Industries, Inc.

KEY	PART NUMBER	DESCRIPTION	QTY.
1	IN40-85-ST-1	LEG PIPE	4
2	IN40-85-ST-2	CENTER RING	1
3	IN40-85-ST-3	RING	1
4	12583	1" PIPE PLUG	4
5	IN40-85-ST-5	BASE STRAP	4
6	IN40-85-ST-8	IN/INFD SUPPORT SUB ASSEMBLY	4

IN40/85-ST

J



J	IN40-85-ST-6 AND IN40-85-ST-7 COMBINED INTO SUB ASSEMBLY IN40-85-ST-8	ADH 10/26/16	3311
I	9.63" WAS 9.50", 16.75" WAS 16.50". DRAWING TEMPLATE/TABLE UPDATED	ADH 10/25/11	2317
H	DIMENSIONS AND LEG PLUGS UPDATED	ADH 10/14/08	1729
G	HOLE DIA WAS .44 DIA.	ADH 3/28/08	1637
F	CORRECTED PART NUMBER	ADH 10/31/07	1506
E	LENGTH WAS 9.75 AND 17.00	ADH 6/25/07	
D	LENGTH WAS 9.50 AND 16.50	ADH 6/13/07	
C	WAS 21.00	DHJ 6/13/07	
B	TOLERANCE WAS 1% @ 68°F	GWC 3/15/07	
A	ADDED B.O.M.	NVE 6/9/06	
REV	DESCRIPTION	BY / DATE	CCN

DRAWN / DATE	MATERIAL
ADH 7/18/07	
APPRD. / DATE	
REH 10/5/07	



**Den Hartog**  
INDUSTRIES, INC.

Ace Roto-Mold Injection Molding Blow Molding Sowjoy

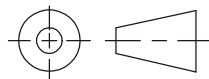
4010 HOSPERS DRIVE S. BOX 425, HOSPERS, IOWA 51238-0425

DESCRIPTION	40,85, OR 110 GALLON INDUCTOR STAND	
SCALE	N.S.	PART NO. IN40/85-ST

ALL DIMENSIONS ARE IN DECIMAL INCHES  
TOLERANCES UNLESS OTHERWISE SPECIFIED

THIRD ANGLE PROJECTION  
ANSI 14.5M

SHOT WEIGHT:	NOTES:
SHIPPING WEIGHT: 40.00 LBS	
FINISH: POWDER COATING, BLACK TILE, 40012	



POLYETHYLENE  
±1% @ 68°F

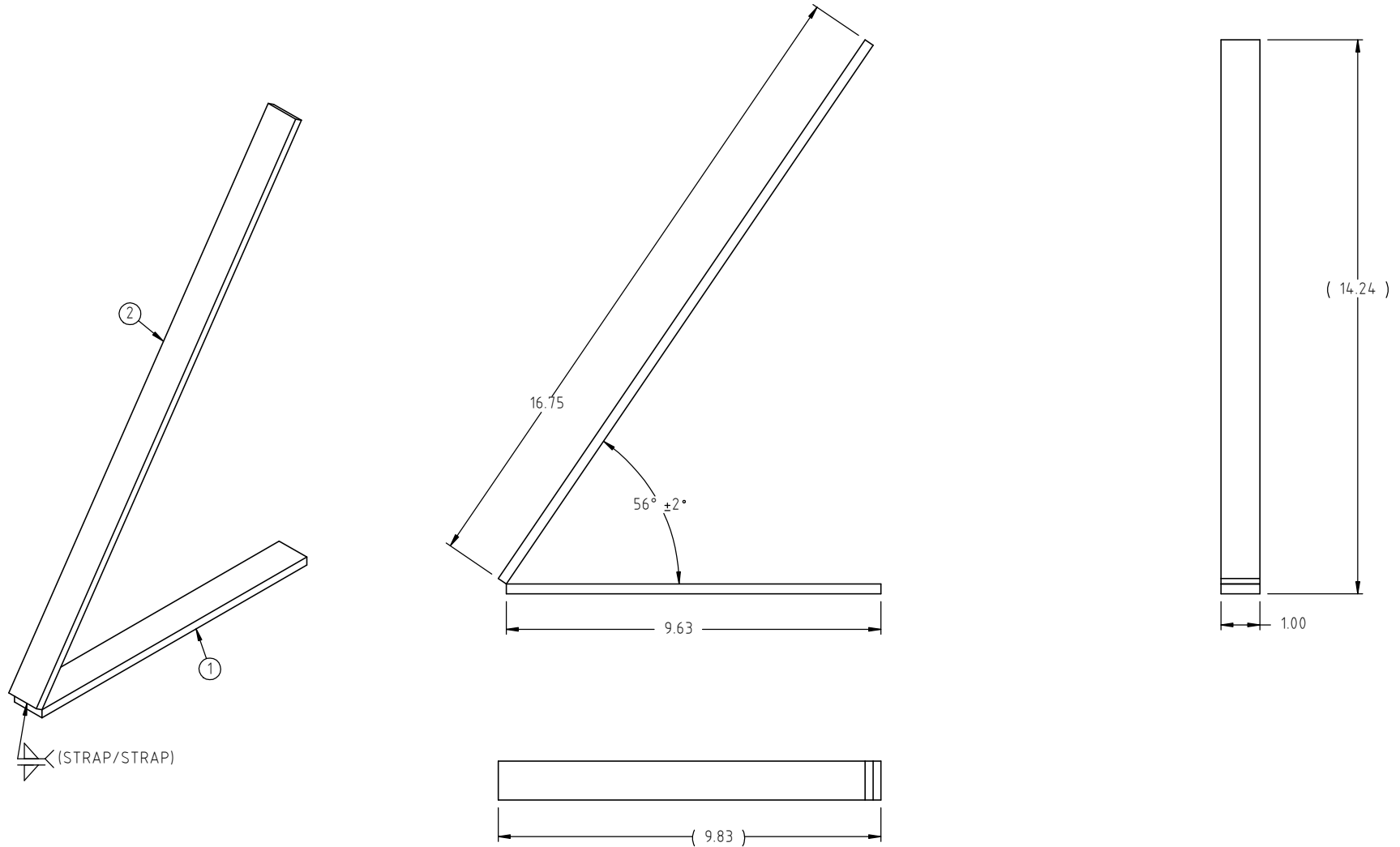
METAL  
DECIMAL ± .125"  
FRACTION ± 1/4"  
ANGLE ± 1°

© DEN HARTOG INDUSTRIES, INC.

Copyright. All information furnished within this document, electronic file or design correspondence is the property of Den Hartog industries, Inc. and shall not be used, disclosed to others or copied without the expressed written consent of Den Hartog Industries, Inc.

KEY	PART NUMBER	DESCRIPTION	QTY.
1	IN40-85-ST-6	HORIZONTAL SUPPORT BAR	1
2	IN40-85-ST-7	ANGLED SUPPORT STRAP	1

IN40/85-ST-8



				DRAWN / DATE ADH 1/25/16	MATERIAL SEE COMPONENTS
				APPROD. / DATE REH 10/26/16	
REV	DESCRIPTION	BY / DATE	CCN		
ALL DIMENSIONS ARE IN DECIMAL INCHES TOLERANCES UNLESS OTHERWISE SPECIFIED		THIRD ANGLE PROJECTION ANSI 14.5M		SHOT WEIGHT: N.A.	NOTES:
POLYETHYLENE	METAL DECIMAL ± .125" FRACTION ± 1/4" ANGLE ± 1°			SHIPPING WEIGHT: N.A.	
±1% @ 68°F				FINISH: DEBUR	



**Den Hartog**  
INDUSTRIES, INC.

Ace Roto-Mold Injection Molding Blow Molding Sowjoy

4010 HOSPERS DRIVE S. BOX 425, HOSPERS, IOWA 51238-0425

DESCRIPTION IN/INFD SUPPORT SUB ASSEMBLY	
SCALE N.S.	PART NO. IN40/85-ST-8