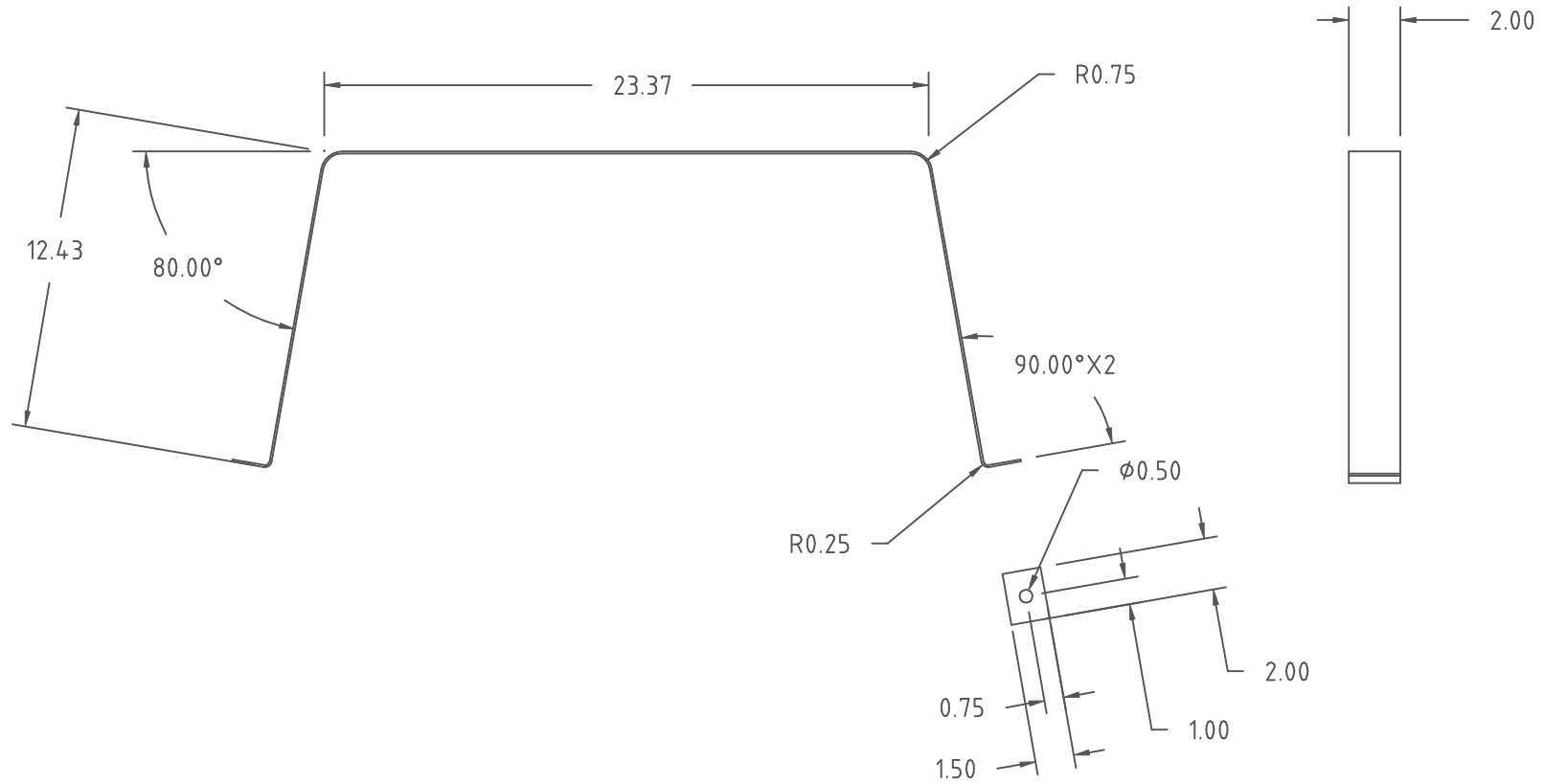


PROPRIETARY DATA

INFORMATION FURNISHED HEREIN IS THE PROPERTY OF DEN HARTOG INDUSTRIES INC. AND SHALL NOT BE USED, DISCLOSED TO OTHERS, OR COPIED WITHOUT EXPRESSED WRITTEN CONSENT OF DEN HARTOG IND. ALL RIGHTS RESERVED.

LP0050-SBPS



DRAWN /DATE

REH 6/17/08

MATERIAL

12 GA. MILD STEEL

APPRD. /DATE

DHJ 7/10/08



Ace Roto-Mold

A DIVISION OF DEN HARTOG INDUSTRIES, INC.
4010 HOSPERS DRIVE SOUTH, BOX 425, HOSPERS, IOWA 51238

CLIENT / DESCRIPTION

50 GAL. LOW PROFILE TANK BAND

SCALE
NONE

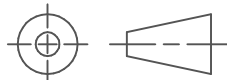
PART NO.

LP0050-SBPS

ALL DIMENSIONS ARE IN DECIMAL INCHES
TOLERANCES UNLESS OTHERWISE SPECIFIED

± 1 % @ 68°F

THIRD ANGLE PROJECTION
ANSI 14.5M



NOTES:

1. SILVER P.C. FINISH
2. WEIGHT EACH = 3.5 LBS.
3. TOTAL LENGTH: 51.25"