

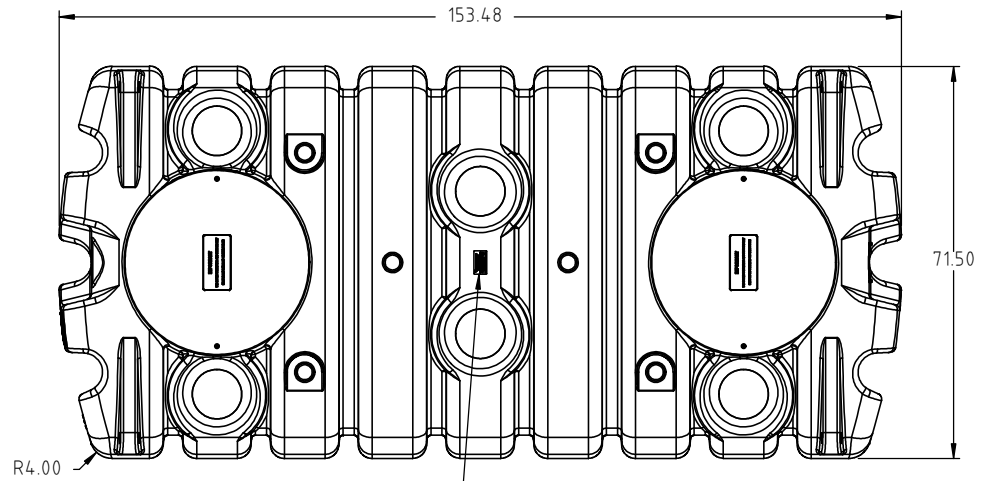
© DEN HARTOG INDUSTRIES, INC.

Copyright. All information furnished within this document, electronic file or design correspondence is the property of Den Hartog industries, Inc. and shall not be used, disclosed to others or copied without the expressed written consent of Den Hartog Industries, Inc.

CAUTION LABEL 14676

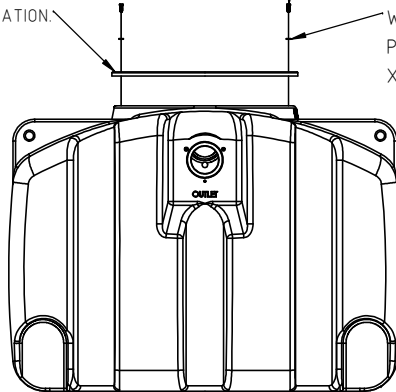


LPS-1500-1



CAUTION LABEL
P.N.: 14676

STANDARD TANK SENT WITH TWO 19465 SHIPPING COVERS BUT BURIAL LID(S) AND/OR RISER(S) REQUIRED FOR FINAL INSTALLATION.



BOLT, 3/8" X 1" HEX GR 5 ZINC
P.N.: 10089

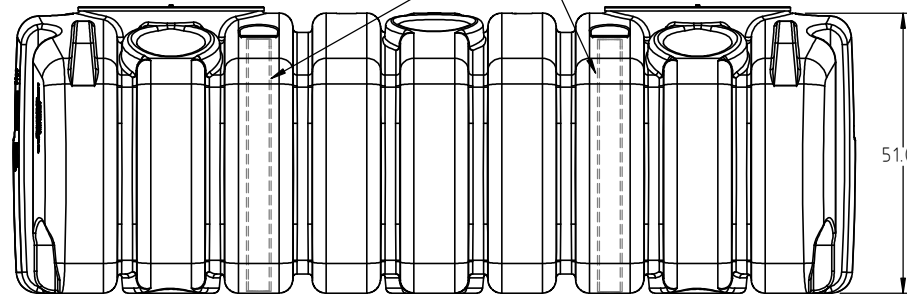
X 4

WASHER, 3/8" FLAT ZINC
P.N.: SJ10937
X 4

INSTALLED 4" PVC SUPPORTS
P.N.: 14682

X 4

INLET
SIDE



OUTLET
SIDE

				DRAWN / DATE ADH 12/2/16	MATERIAL
				APPROD. / DATE REH 9/11/17	
REV	DESCRIPTION	BY / DATE	CCN	SHOT WEIGHT:	NOTES:
				SHIPPING WEIGHT: 694 LBS.	
				FINISH:	
ALL DIMENSIONS ARE IN DECIMAL INCHES TOLERANCES UNLESS OTHERWISE SPECIFIED		THIRD ANGLE PROJECTION ANSI 14.5M			
POLYETHYLENE ±1% @ 68°F					



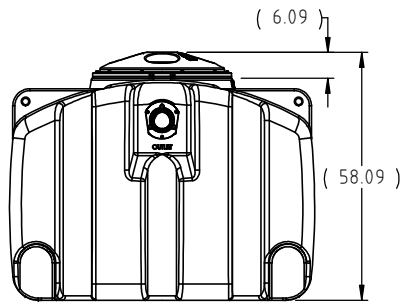
Den Hartog
INDUSTRIES, INC.

Acra Roto-Mold Injection Molding Blow Molding Sowjoy

4010 HOSPERS DRIVE S. BOX 425, HOSPERS, IOWA 51238-0425

DESCRIPTION	1500 GALLON LOW PROFILE SINGLE COMPARTMENT SEPTIC TANK ASSEMBLY AS SHIPPED	
SCALE	N.S.	PART NO. LPS-1500-1

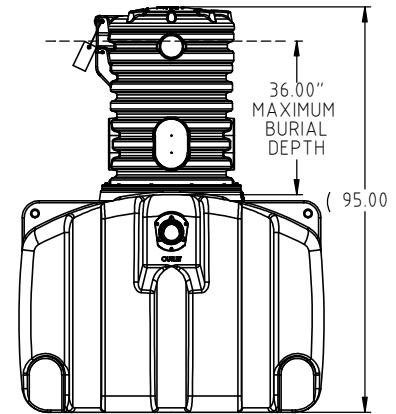
Copyright. All information furnished within this document, electronic file or design correspondence is the property of Den Hartog Industries, Inc. and shall not be used, disclosed to others or copied without the expressed written consent of Den Hartog Industries, Inc.



OPTIONAL
BURIAL LID ASSEMBLY
P.N.= ACT-16053BK
SHOWN

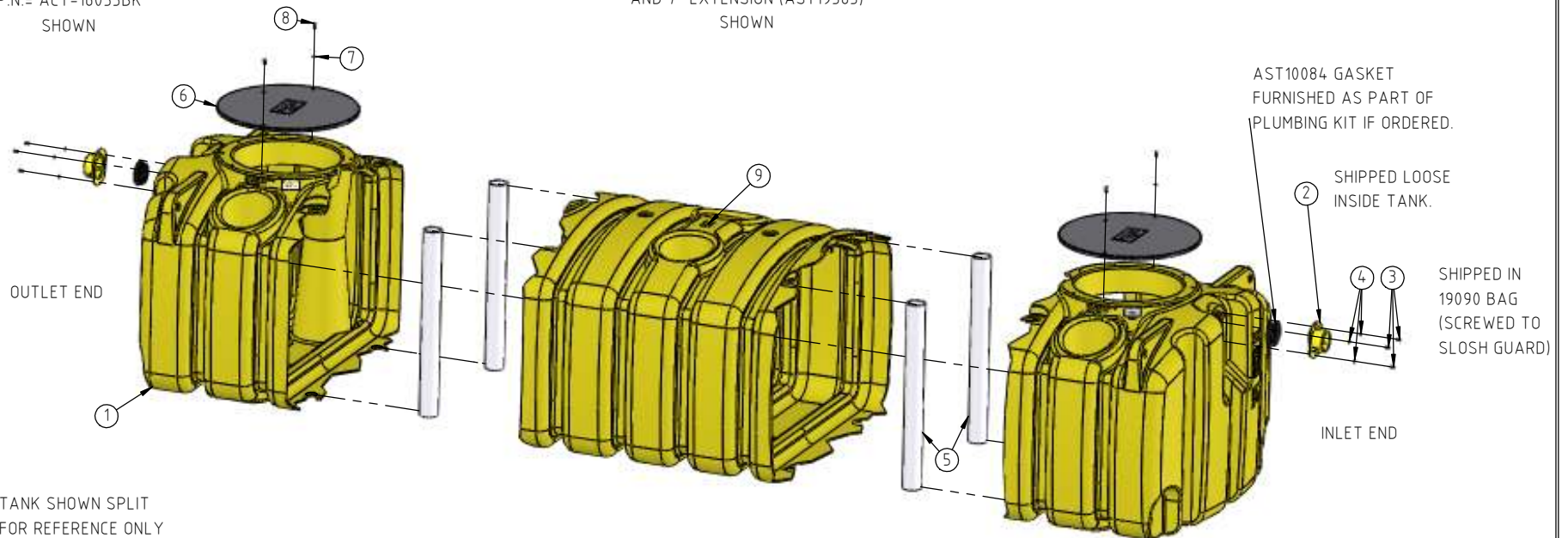
LID/COVER OPTIONS.
(TWO COMPLETE COVERS
REQUIRED FOR INSTALLATION).

- 1.) BURIAL LID ASSEMBLY
P.N.=ACT-16053BK
- 2.) 16" GROUND ACCESS RISER
P.N.=ACT-16054BK
- 3.) 28" GROUND ACCESS RISER
P.N.=ACT-16052BK
- 4.) 7" EXTENSION (REQUIRES RISER)
P.N.=AST19365
- 5.) 16" EXTENSION (REQUIRES RISER)
P.N.=AST19212



OPTIONAL
28" GROUND ACCESS RISER (ACT-16052BK)
AND 7" EXTENSION (AST19365)
SHOWN

KEY	PART NUMBER	DESCRIPTION	QTY.
1	LPS-1500	1500 GAL LOW PROFILE SEPTIC TANK	1
2	AST19153	CLAMP, STABILIZER	2
3	10087	BOLT, 1/4" X 3/4" HEX GR5 ZINC	6
4	10626	WASHER, 1/4" FLAT ZINC	6
5	14682	PIPE, 4" SEPTIC/CISTERN SUPPORT PVC	4
6	19465	ACT, CISTERN SHIPPING COVER	2
7	SJ10937	WASHER, 3/8" FLAT ZINC	4
8	10089	BOLT, 3/8" X 1" HEX GR 5 ZINC	4
9	14676	LABEL, CAUTION SEPTIC	1



				DRAWN / DATE ADH 12/15/16	MATERIAL
				APPRD. / DATE REH 9/11/17	
REV	DESCRIPTION	BY / DATE	CCN	SHOT WEIGHT:	NOTES:
	ALL DIMENSIONS ARE IN DECIMAL INCHES TOLERANCES UNLESS OTHERWISE SPECIFIED			SHIPPING WEIGHT:	
	POLYETHYLENE			FINISH:	
	±1% @ 68°F				
	METAL DECIMAL ± .125" FRACTION ± 1/4" ANGLE ± 1°				
	THIRD ANGLE PROJECTION ANSI 14.5M				



Den Hartog
INDUSTRIES, INC.

Acco Roto-Mold Injection Molding Blow Molding Sowjoy

4010 HOSPERS DRIVE S. BOX 425, HOSPERS, IOWA 51238-0425

DESCRIPTION 1500 GALLON LOW PROFILE SINGLE COMPARTMENT
SEPTIC TANK ASSEMBLY

SCALE N.S.

PART NO. LPS-1500-1