

PROPRIETARY DATA

LTA155-55

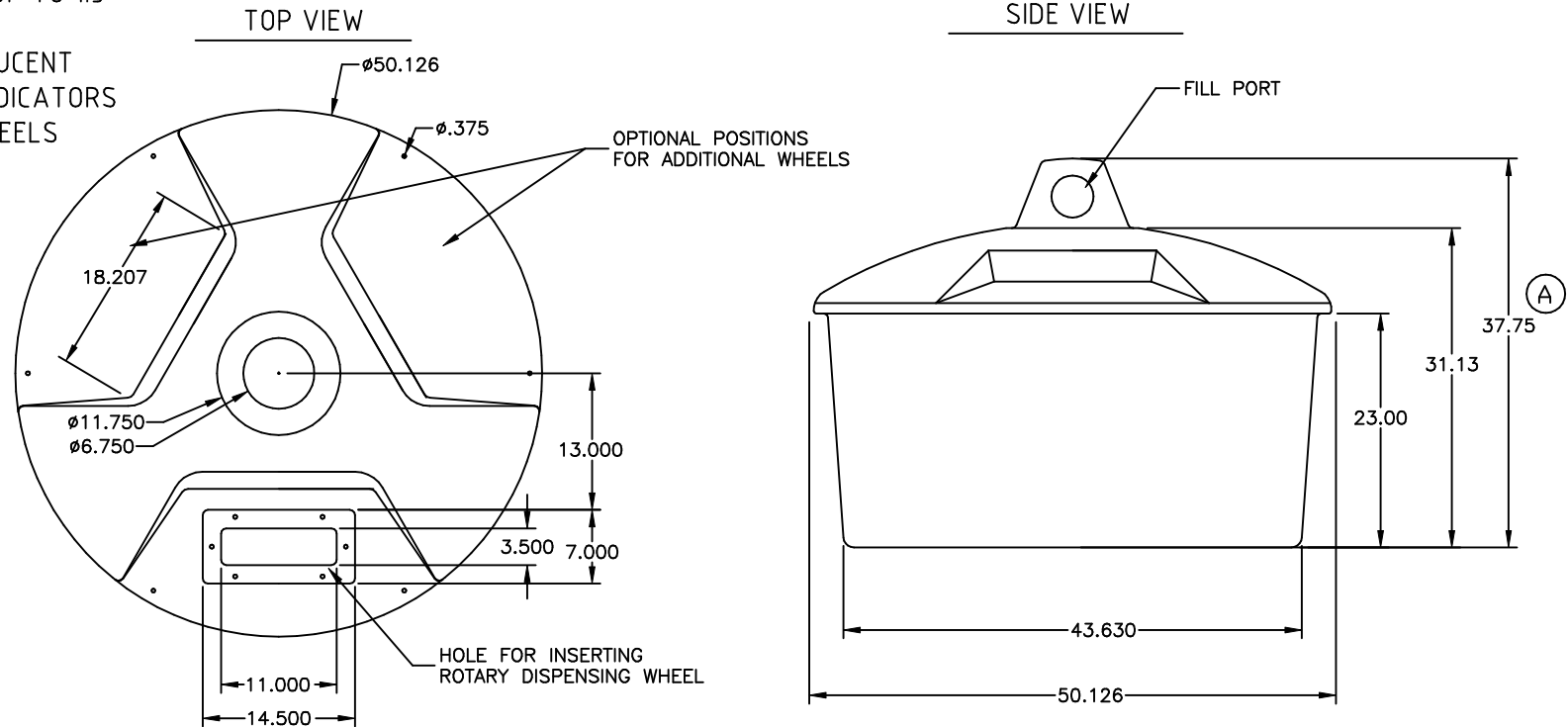
A

PROPERTY OF ACE ROTO-MOLD MFG., INC. INFORMATION FURNISHED HEREIN IS THE PROPERTY OF ACE ROTO-MOLD MFG., INC. AND SHALL NOT BE USED, DISCLOSED TO OTHERS, OR COPIED WITHOUT THE EXPRESSED WRITTEN CONSENT OF ACE ROTO-MOLD MFG., INC. ALL RIGHTS RESERVED.


FEATURES:

1. MADE FROM LOW-DENSITY POLYETHYLENE WITH U.V. INHIBITORS
2. DESIGNED FOR LIQUIDS OF UP TO 1.5 SPECIFIC GRAVITY
3. TANK WALLS ARE TRANSLUCENT
4. EQUIPPED WITH GALLON INDICATORS
5. USES UP TO THREE 24" WHEELS

(WHEELS SOLD SEPARATELY)



		DRAWN / DATE NVE 6/14/05		MATERIAL	
		APPRD. / DATE DHJ 6/22/05		LDPE OR EQUIVALENT REFERENCE MATERIAL DATA SHEET FOR SPECIFIC PROPERTIES.	
A		37.75 WAS 37.00		1/9/06	
REV	DESCRIPTION	DATE	APPRD		
ALL DIMENSIONS ARE IN DECIMAL INCHES TOLERANCES UNLESS OTHERWISE SPECIFIED				THIRD ANGLE PROJECTION ANSI 14.5M	
± 1% @ 68° F					
				NOTES: 1. NOM. WALL @ 0.200 2. YELLOW COLOR 3. SHOT WEIGHT 57 LBS.	



ACE ROTO-MOLD
A DIVISION OF DEN HARTOG INDUSTRIES, INC.
4018 HWY. 60 BLVD., BOX 421, HOSPERS, IOWA 51238

CLIENT / DESCRIPTION: 155 GALLON LIQUID FEEDER TANK

SCALE: N.S. PART NO.: LTA155-55