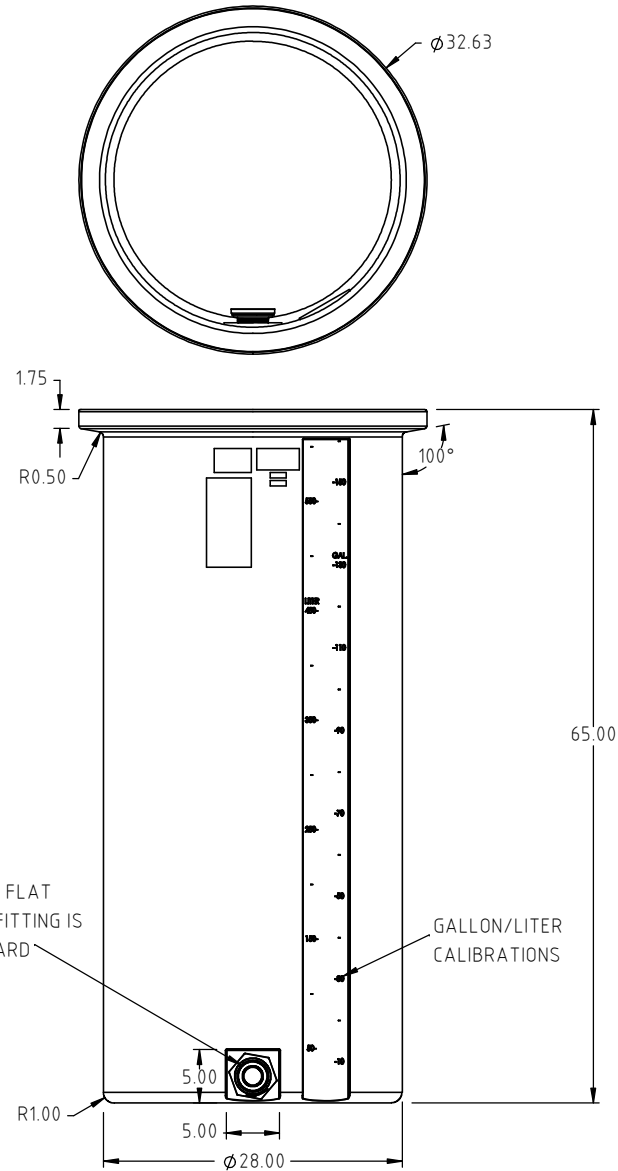


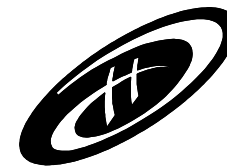
Copyright. All information furnished within this document, electronic file or design correspondence is the property of Den Hartog industries, Inc. and shall not be used, disclosed to others or copied without the expressed written consent of Den Hartog Industries, Inc.



FITTING FLAT  
1-1/2" FITTING IS  
STANDARD

GALLON/LITER  
CALIBRATIONS

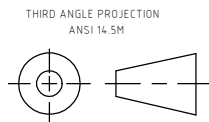
DRAWN / DATE ADH 12/4/2020	MATERIAL : 10420
APPROD. / DATE BPL 4/13/2021	
SHOT WEIGHT: 50.00 LBS.	NOTES: 1.) 0.22 WALL THICKNESS
SHIPPING WEIGHT: 45.00LBS	
FINISH:	



# Den Hartog INDUSTRIES, INC.

Ace Roto-Mold • Injection Molding • Blow Molding • Sowjoy  
4010 HOSPERS DRIVE S. BOX 425, HOSPERS, IOWA 51238-0425

REV.	DESCRIPTION	BY	DATE	CCN
	ALL DIMENSIONS ARE IN DECIMAL INCHES TOLERANCES UNLESS OTHERWISE SPECIFIED			
	<u>POLYETHYLENE</u>			
	<u>METAL</u> DECIMAL ± .125" FRACTION ± 1/4" ANGLE ± 1°			



DESCRIPTION OPEN TOP 155 GALLON, 28" DIA. BATCH TANK.	
SCALE N.S.	SHEET 1 OF 1
PART NO. OP0155-28	