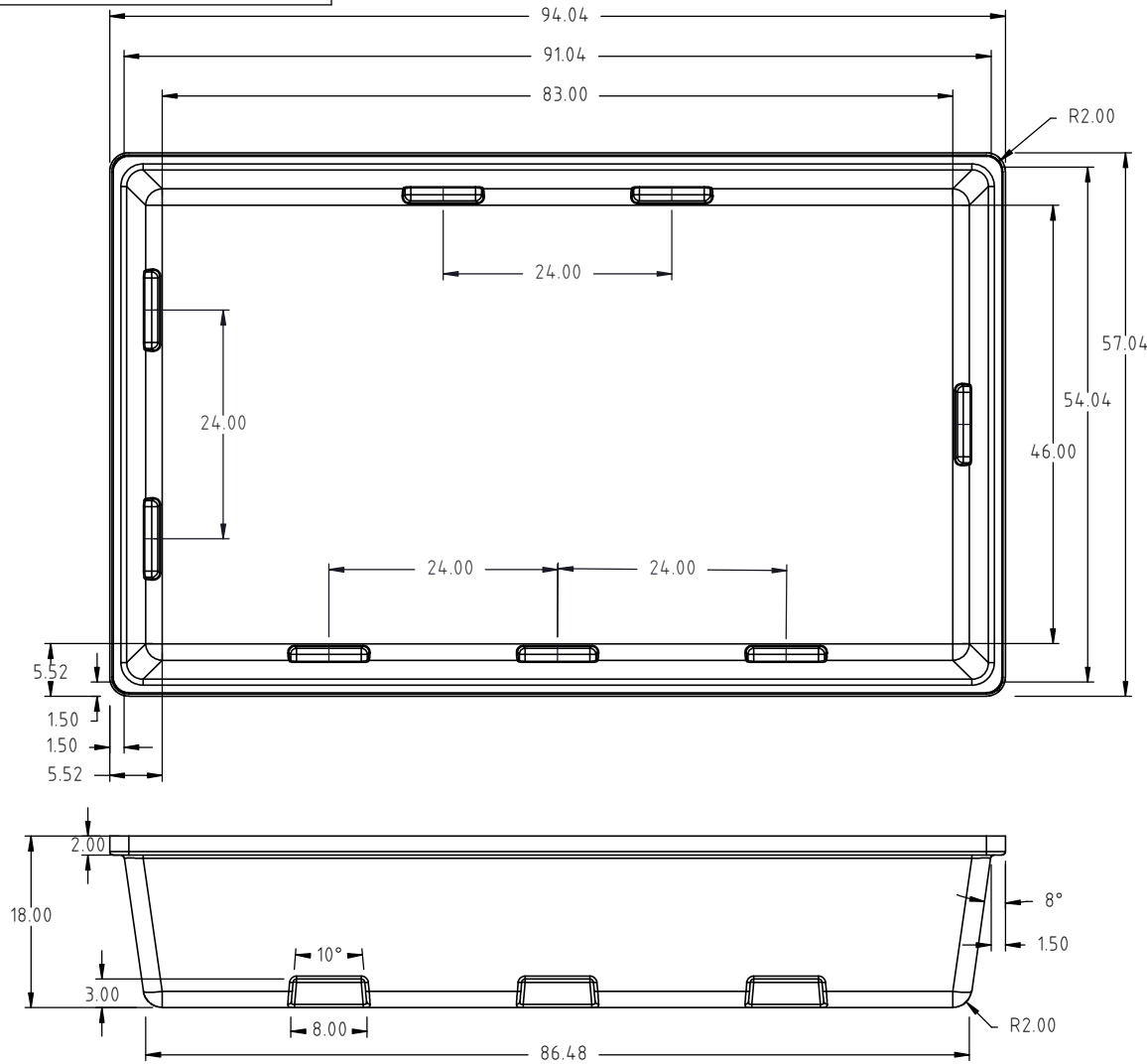
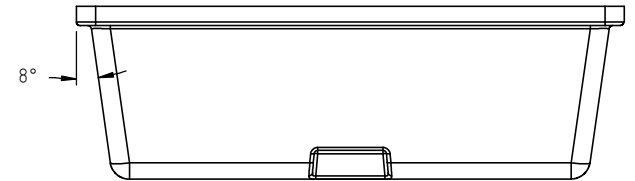
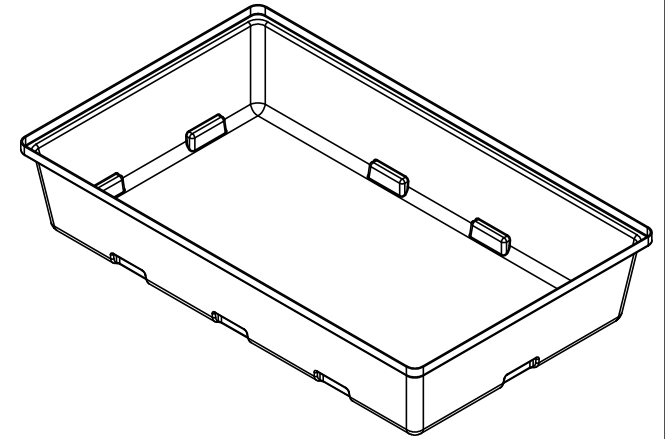
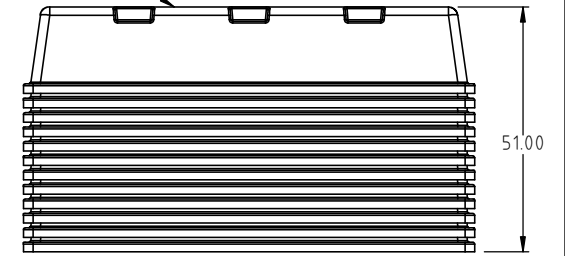


Copyright. All information furnished within this document, electronic file or design correspondence is the property of Den Hartog industries, Inc. and shall not be used, disclosed to others or copied without the expressed written consent of Den Hartog Industries, Inc.



OP0300-RT X 12  
(ALTERNATE ROTATION  
WHEN STACKING)

STACKED DETAIL



				DRAWN / DATE ADH 1/20/14	MATERIAL 10420 NATURAL
				APPRO. / DATE REH 2/4/14	
REV	DESCRIPTION	BY / DATE	CCN	SHOT WEIGHT: 83 LBS.	NOTES: 1.) NOM. WALL 0.25"
				SHIPPING WEIGHT: 82.00 LBS.	
				FINISH:	



## Den Hartog

INDUSTRIES, INC.

Ace Roto-Mold Injection Molding Blow Molding Sowjoy

4010 HOSPERS DRIVE S. BOX 425, HOSPERS, IOWA 51238-0425

DESCRIPTION 300 GALLON CONTAINMENT TANK	
SCALE N.S.	PART NO. OP0300-RT

ALL DIMENSIONS ARE IN DECIMAL INCHES  
TOLERANCES UNLESS OTHERWISE SPECIFIED  
POLYETHYLENE METAL  
DECIMAL ± .125"  
FRACTION ± 1/4"  
ANGLE ± 1°  
±1% @ 68°F

