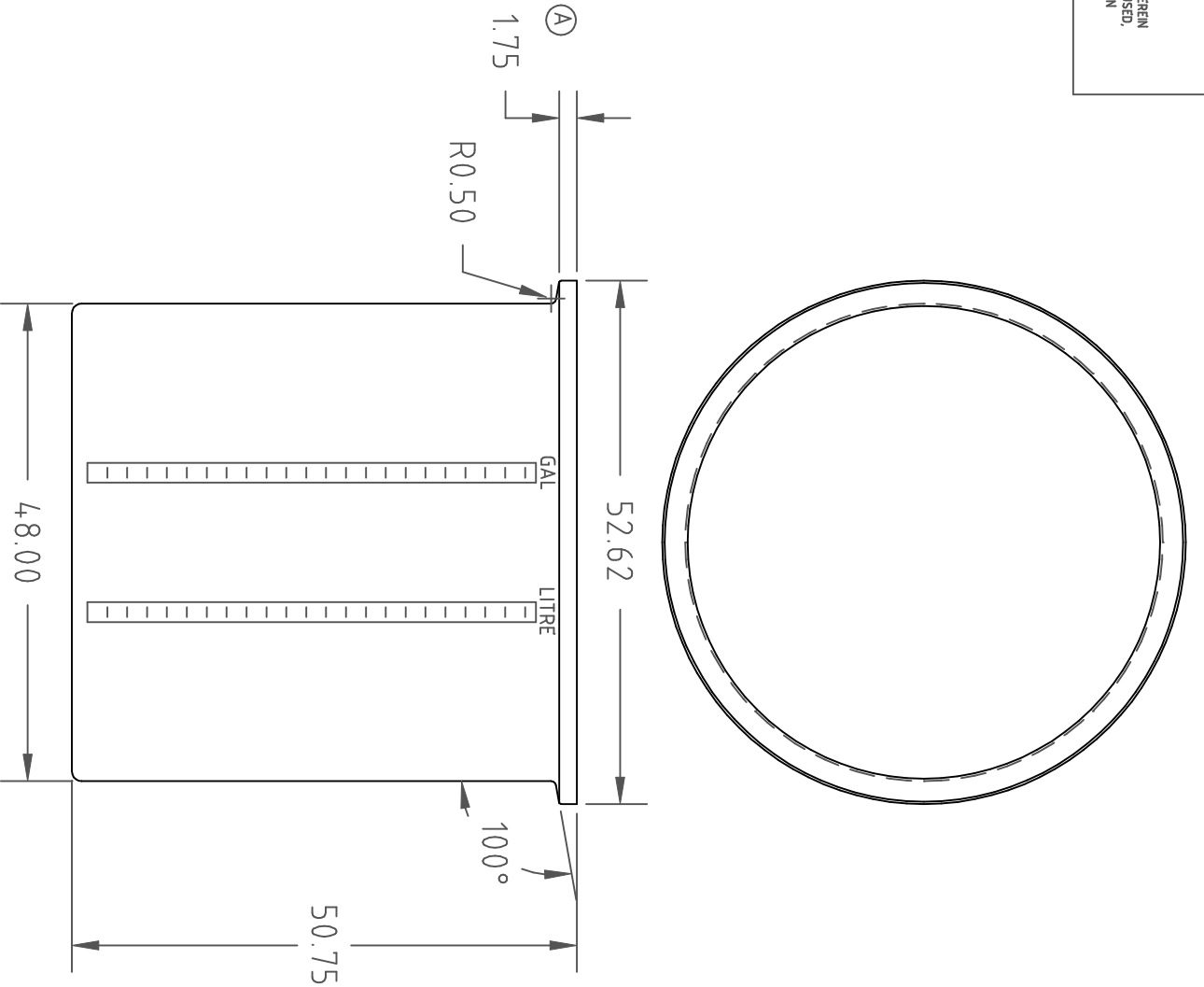
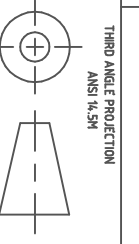


PROPERTY OF ACE ROTO-MOLD MFG., INC. INFORMATION FURNISHED HEREIN IS THE PROPERTY OF ACE ROTO-MOLD MFG., INC. AND SHALL NOT BE USED, DISCLOSED TO OTHERS, OR COPIED WITHOUT THE EXPRESSED WRITTEN CONSENT OF ACE ROTO-MOLD MFG., INC. ALL RIGHTS RESERVED.



C	WEIGHT WAS 84	8/19/08	DHJ	CCM675	DRAWN / DATE	DHJ/6/2/03
B	WAS OP0360-46 CCN 14.08	8/1/07	REH		APPRD. / DATE	ADH 11/14/07
A	TOP LID WAS 1" NOM 1.75"	1/31/05				
REV	DESCRIPTION	DATE	APPRD	CCN		

ALL DIMENSIONS ARE IN DECIMAL INCHES
TOLERANCES UNLESS OTHERWISE SPECIFIED
+ 1% @ 68° F



THIRD ANGLE PROJECTION
ANSI 14.5M

MATERIAL: HDPE OR EQUIVALENT REFERENCE MATERIAL DATA SHEET FOR SPECIFIC PROPERTIES.

NOTES: 1. 25 NOM. WALL
2. SHOT WEIGHT 115 LBS. (C)

CLIENT / DESCRIPTION: 360 GALLON OPEN TOP TANK

SCALE: N.S.

PART NO.: OP0360-48 (B)

ACE ROTO-MOLD
A DIVISION OF DEN HARTOG INDUSTRIES, INC.
4010 HOSPERS DRIVE SOUTH, BOX 425, HOSPERS, IA 51238