

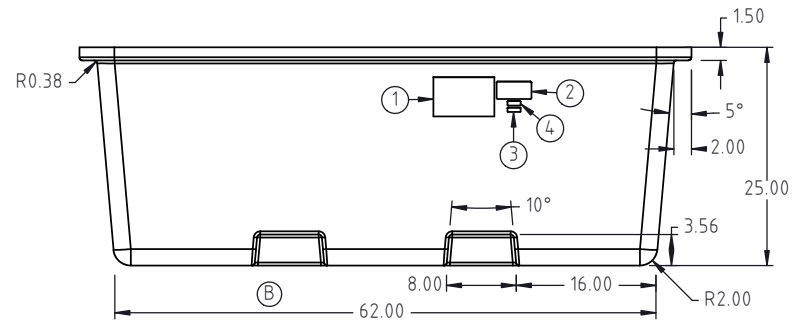
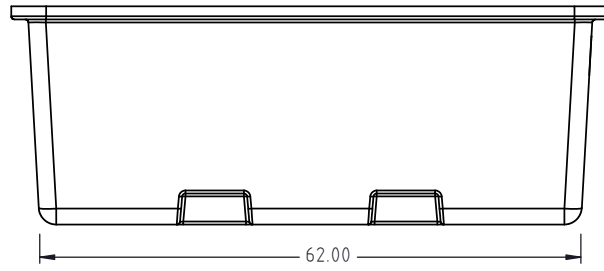
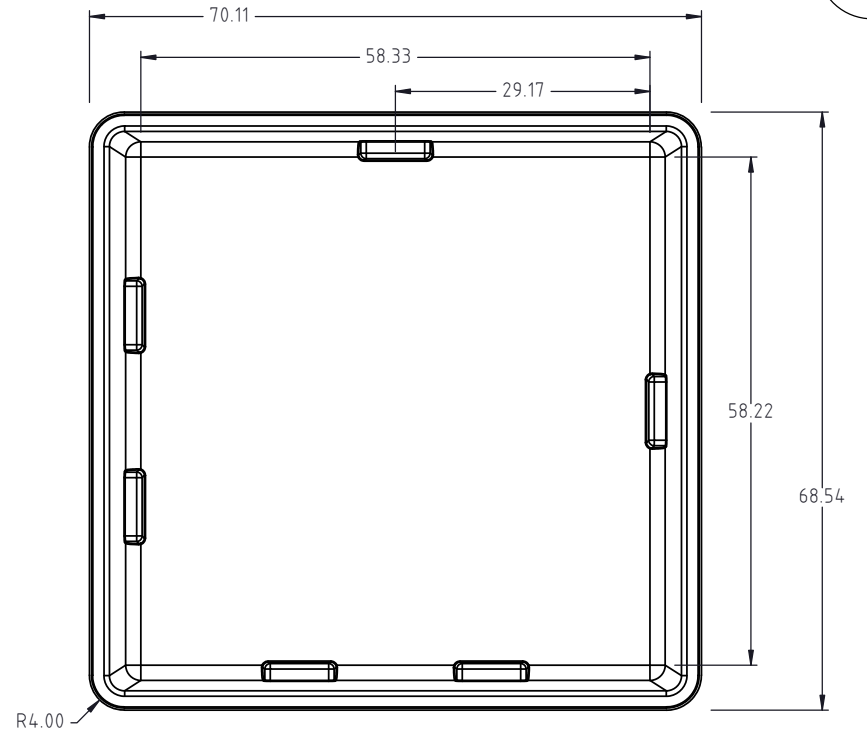
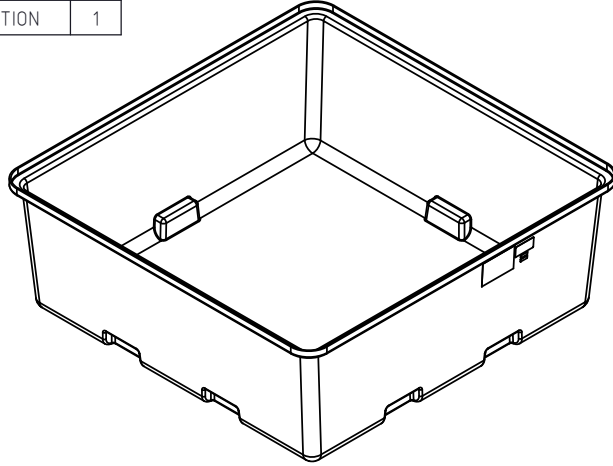
© DEN HARTOG INDUSTRIES, INC.

Copyright. All information furnished within this document, electronic file or design correspondence is the property of Den Hartog Industries, Inc. and shall not be used, disclosed to others or copied without the expressed written consent of Den Hartog Industries, Inc.

(A) OP0425-RT

B

| KEY | PART NUMBER | DESCRIPTION            | QTY. |
|-----|-------------|------------------------|------|
| 1   | 10352       | LABEL, ACE MEDIUM      | 1    |
| 2   | 10357       | LABEL, BARCODE 4" X 2" | 1    |
| 3   | 14935       | LABEL, PROP 65         | 1    |
| 4   | XXXX        | LABEL, INSPECTION      | 1    |



|  |  |                                   |            |      |
|--|--|-----------------------------------|------------|------|
| B  | LAYOUT/TEMPLATE UPDATED. STACKING LUGS ADDED 6X. | ADH                               | 10/30/2025 | 4795 |
| A  | "OP" PART NUMBER WAS "OPR"                       | ADH                               | 3/27/2014  | 2830 |
| REV.   | DESCRIPTION                                      | BY                                | DATE       | CCN  |
| ALL DIMENSIONS ARE IN DECIMAL INCHES TOLERANCES UNLESS OTHERWISE SPECIFIED |  | THIRD ANGLE PROJECTION ANSI 14.5M |            |      |
| POLYETHYLENE<br>±1% @ 68°F   |  |                                   |            |      |
| METAL<br>DECIMAL ± .125"<br>FRACTION ± 1/4"<br>ANGLE ± 1°                  |  |                                   |            |      |

|                               |                                   |
|-------------------------------|-----------------------------------|
| DRAWN / DATE<br>ADH 2/6/2012  | MATERIAL :<br>LLDPE               |
| APPRD. / DATE<br>REH 2/6/2012 |                                   |
| SHOT WEIGHT: 190 LB.          | NOTES:                            |
| SHIPPING WEIGHT: 94 LB.       |                                   |
| FINISH:                       | NOMINAL WALL THICKNESS:<br>0.250" |

## Den Hartog INDUSTRIES, INC.

Ace Roto-Mold • Injection Molding • Blow Molding • Sowjoy  
4010 HOSPERS DRIVE S. BOX 425, HOSPERS, IOWA 51238-0425

|  |                           |                 |
|--|---------------------------|-----------------|
| DESCRIPTION<br>425 GALLON CONTAINMENT TANK |                           |                 |
| SCALE<br>N.S.                              | PART NO.<br>(A) OP0425-RT | SHEET<br>1 OF 1 |