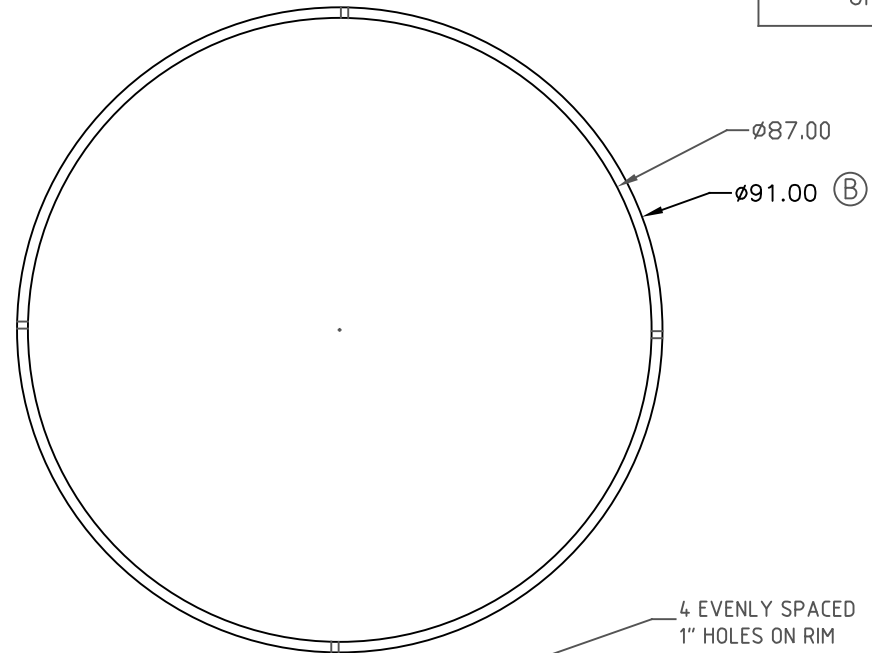


PROPRIETARY DATA

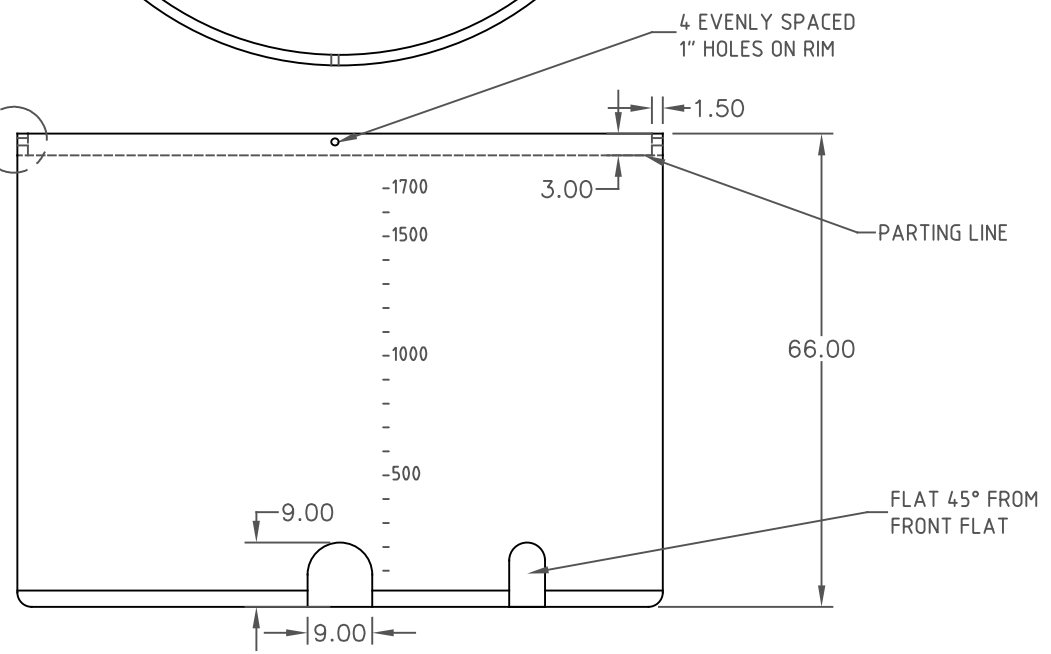
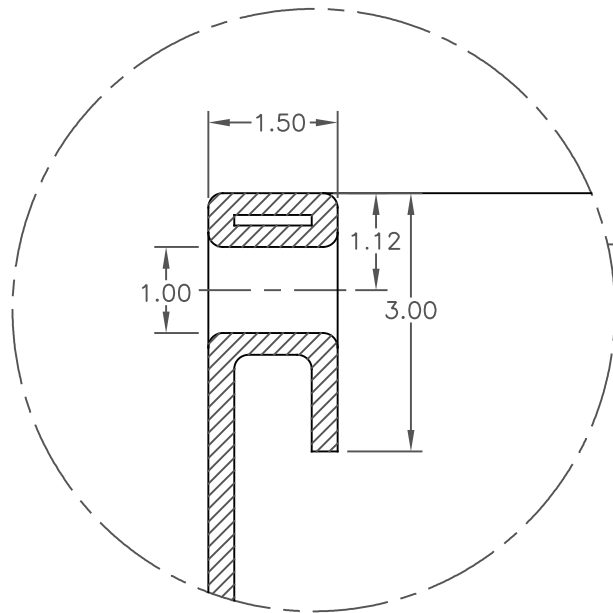
PROPERTY OF ACE ROTO-MOLD MFG., INC. INFORMATION FURNISHED HEREIN IS THE PROPERTY OF ACE ROTO-MOLD MFG., INC. AND SHALL NOT BE USED, DISCLOSED TO OTHERS, OR COPIED WITHOUT THE EXPRESSED WRITTEN CONSENT OF ACE ROTO-MOLD MFG., INC. ALL RIGHTS RESERVED.

OP1700-90

B



DETAIL OF RIM (A)



REV	DESCRIPTION	DATE	APPRD	CCN	DRAWN / DATE	MATERIAL
B	WAS 90	5/11/17	DHJ	3385	NVE 6/13/05	PE OR EQUIVALENT REFERENCE MATERIAL DATA SHEET FOR SPECIFIC PROPERTIES.
A	CLARIFY THROUGH HOLE	4/8/08	DHJ	1643	APPRD. / DATE DHJ 6/22/05	

THIRD ANGLE PROJECTION
ANSI 14.5M

ALL DIMENSIONS ARE IN DECIMAL INCHES
TOLERANCES UNLESS OTHERWISE SPECIFIED
± 1% @ 68° F

NOTES:
1. .490 THICK AT FITTING
2. WHITE OR COLOR
3. SHOT WEIGHT 317 LBS.
4. SHIP WEIGHT 317 LBS.

ACE ROTO-MOLD
A DIVISION OF DEN HARTOG INDUSTRIES, INC.
4010 HOSPERS DRIVE SOUTH, BOX 425, HOSPERS, IOWA 51238

CLIENT / DESCRIPTION		1700 GALLON OPEN TOP TANK	
SCALE	N.S.	PART NO.	OP1700-90