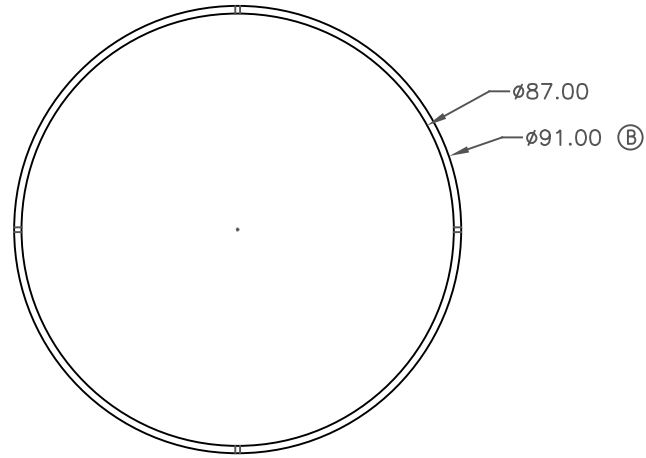


PROPRIETARY DATA

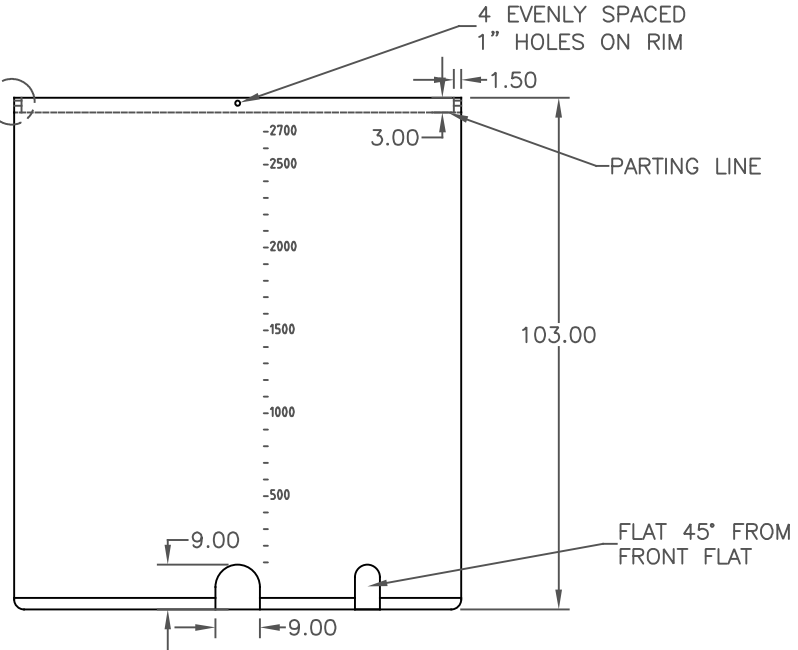
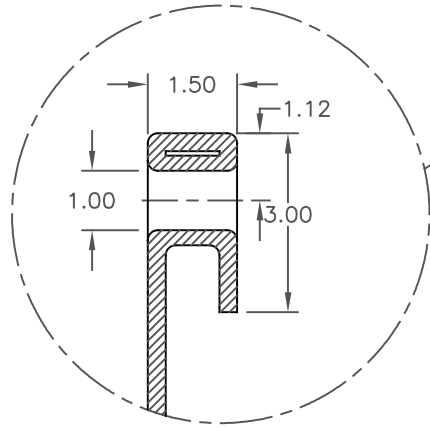
OP2700-90

B

PROPERTY OF ACE ROTO-MOLD MFG., INC. INFORMATION FURNISHED HEREIN IS THE PROPERTY OF ACE ROTO-MOLD MFG., INC. AND SHALL NOT BE USED, DISCLOSED TO OTHERS, OR COPIED WITHOUT THE EXPRESSED WRITTEN CONSENT OF ACE ROTO-MOLD MFG., INC. ALL RIGHTS RESERVED.



DETAIL OF RIM (A)



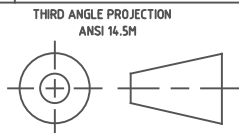
B	WAS 90	5/11/17	DHJ	3385	DRAWN / DATE NVE 6/13/05	MATERIAL
A	CLARIFY THROUGH HOLE	4/8/08	DHJ	1643	APPRD. / DATE DHJ 6/22/05	PE OR EQUIVALENT REFERENCE MATERIAL DATA SHEET FOR SPECIFIC PROPERTIES.
REV	DESCRIPTION	DATE	APPRD	CCN		

**ACE ROTO-MOLD**  
A DIVISION OF DEN HARTOG INDUSTRIES, INC.  
4018 HOSPERS DRIVE SOUTH, BOX 421, HOSPERS, IOWA 51238

CLIENT / DESCRIPTION  
2700 GALLON OPEN TOP TANK

ALL DIMENSIONS ARE IN DECIMAL INCHES  
TOLERANCES UNLESS OTHERWISE SPECIFIED

$\pm$  1% @ 68° F



- NOTES:
1. .490 WALL AT FLAT
  2. WHITE OR COLOR
  3. SHOT WEIGHT 480 LBS.
  4. SHIP WEIGHT 480 LBS.

SCALE  
N.S.

PART NO.  
OP2700-90