

PROPRIETARY DATA

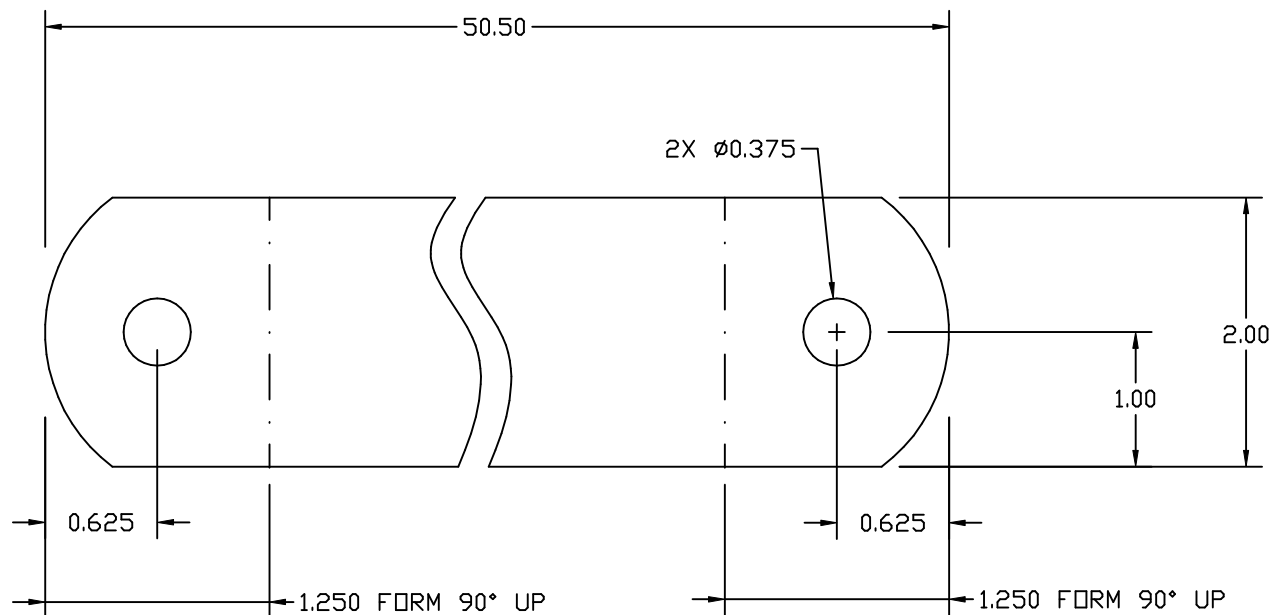
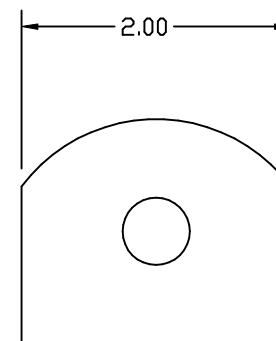
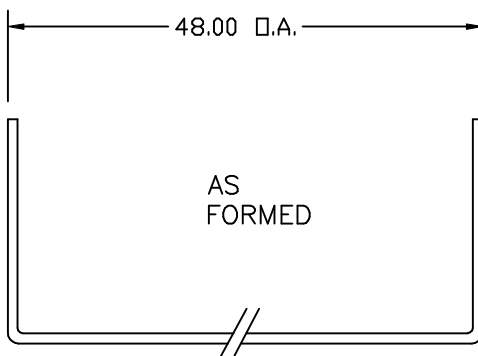
PROPERTY OF ACE ROTO-MOLD MFG., INC. INFORMATION FURNISHED HEREIN IS THE PROPERTY OF ACE ROTO-MOLD MFG., INC. AND SHALL NOT BE USED, DISCLOSED TO OTHERS, OR COPIED WITHOUT THE EXPRESSED WRITTEN CONSENT OF ACE ROTO-MOLD MFG., INC. ALL RIGHTS RESERVED.

PC0035-SBS

C

PC0035-SB | 2 PER SET

©

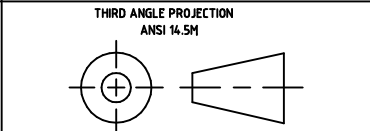


C	ADD TEXT BOX/ADD S TO PART #	4/3/07	GWC	DRAWN / DATE	MATERIAL
B	TOLERANCE WAS 1% @ 68° F	3/13/07	GWC	NVE 2/28/06	
A	DRAWING CLARIFICATION	3/16/06		APPRD. / DATE	
REV	DESCRIPTION	DATE	APPRD	ADH 11/14/07	18 GA STAINLESS STEEL

**ACE ROTO-MOLD**  
 A DIVISION OF DEN HARTOG INDUSTRIES, INC.  
 4018 HWY. 60 BLVD., BOX 421, HOSPERS, IOWA 51238

CLIENT / DESCRIPTION: STAINLESS STEEL BAND FOR 35 GALLON PCO TANK

ALL DIMENSIONS ARE IN DECIMAL INCHES  
 TOLERANCES UNLESS OTHERWISE SPECIFIED  
 DECIMAL +/- .064"  
 FRACTION +/- 1/8"  
 ANGLE +/- 1°



NOTES:  
 WEIGHT = 1-1/2 LB.

SCALE: N.S.

PART NO.: PC0035-SBS