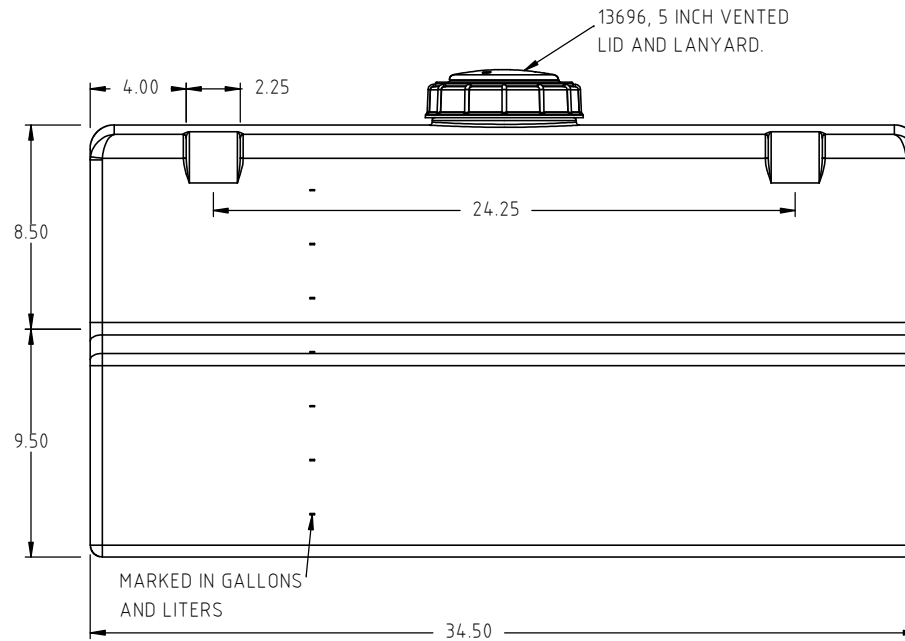
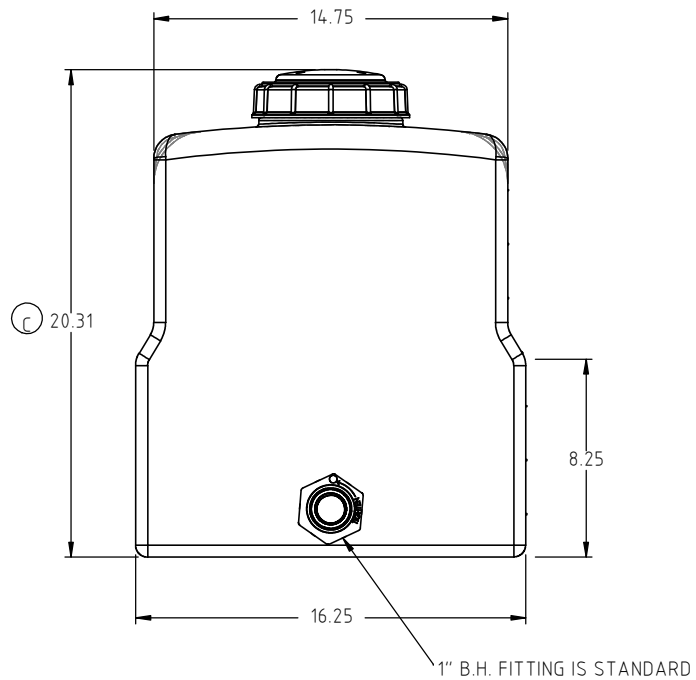



Copyright. All information furnished within this document, electronic file or design correspondence is the property of Den Hartog industries, Inc. and shall not be used, disclosed to others or copied without the expressed written consent of Den Hartog Industries, Inc.



C	13696 WAS 10522, BAND DETAIL REMOVED. DRAWING TEMPLATE/LAYOUT UPDATED	ADH 12/15/14	2983	DRAWN / DATE DHJ 5/3/05	MATERIAL HDPE OR EQUIVALENT
B	BAND REDRAWN	NVE 8/2/06		APPRD. / DATE	
A	ADD BANDS	5/3/05		ADH 11/14/07	
REV	DESCRIPTION	BY / DATE	CCN		
ALL DIMENSIONS ARE IN DECIMAL INCHES TOLERANCES UNLESS OTHERWISE SPECIFIED		THIRD ANGLE PROJECTION ANSI 14.5M		SHOT WEIGHT: 24.00 LBS	NOTES: 1.) TANK NOM. WALL @ 0.250" 2.) OPTIONAL BANDS. 2 REQUIRED. P.N. PC0035-SB
POLYETHYLENE	METAL DECIMAL ± .125" FRACTION ± 1/4" ANGLE ± 1°			SHIPPING WEIGHT: 26.00 LBS	
±1% @ 68°F				FINISH:	



Den Hartog

INDUSTRIES, INC.

Ace Roto-Mold Injection Molding Blow Molding Sowjoy

4010 HOSPERS DRIVE S. BOX 425, HOSPERS, IOWA 51238-0425

DESCRIPTION 35 GALLON PCO TANK	
SCALE N.S.	PART NO. PC0035-16