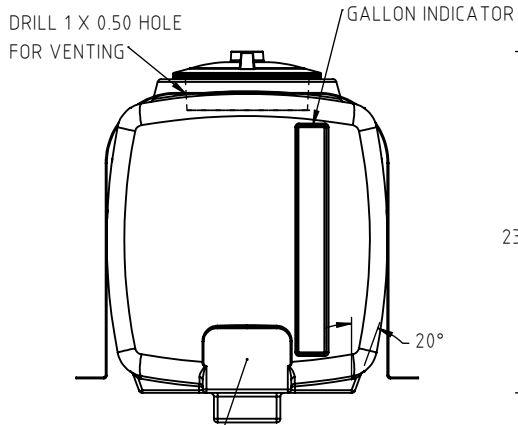
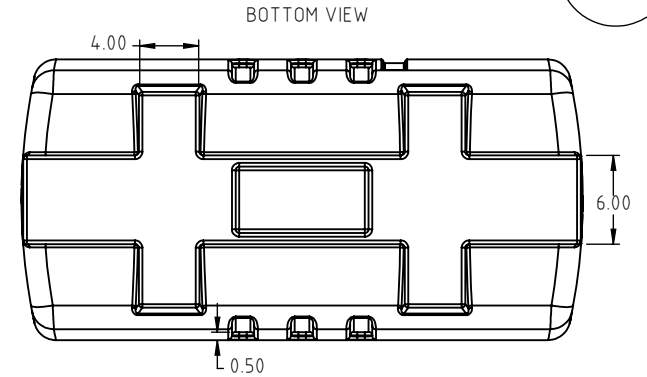
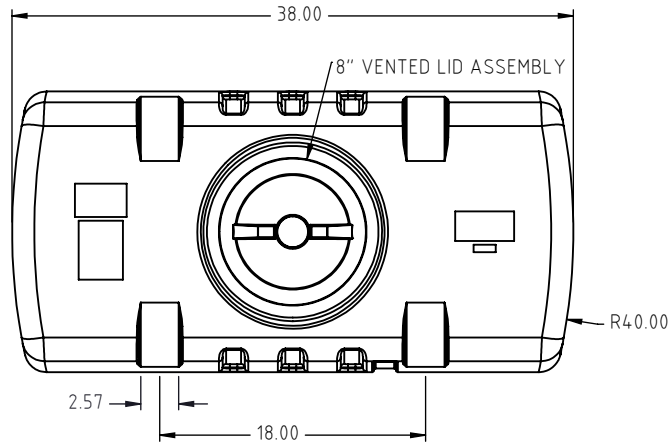
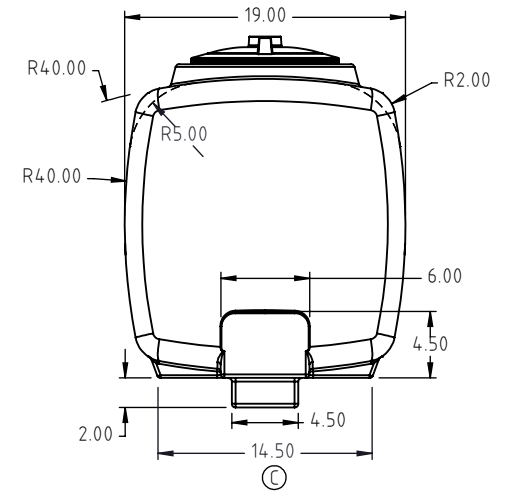
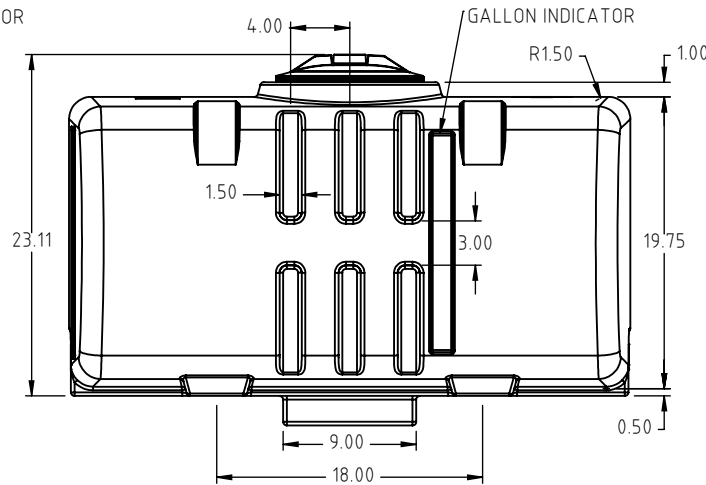


Copyright. All information furnished within this document, electronic file or design correspondence is the property of Den Hartog industries, Inc. and shall not be used, disclosed to others or copied without the expressed written consent of Den Hartog Industries, Inc.



STANDARD FITTING IS 1" STANDARD LOCATION END.



TANK WITH SUMP STANDARD LOCATION IS IN SUMP.

C	14.50" WAS SHOWN AS 16.00"	ADH 4/11/11	2203	DRAWN / DATE	MATERIAL
B	"S" MODEL WAS "M" CCN 1533	ADH 11/29/07	1533	REH 5/8/02	
A	CLARIFY FITTING LOCATIONS	2/17/06		APPRD. / DATE	
REV	DESCRIPTION	BY / DATE	CCN	DHJ 5/8/02	
ALL DIMENSIONS ARE IN DECIMAL INCHES TOLERANCES UNLESS OTHERWISE SPECIFIED		THIRD ANGLE PROJECTION ANSI 14.5M		SHOT WEIGHT: 25.00 LB	NOTES: 1.) NATURAL COLOR 2.) NOM. WALL 0.180
POLYETHYLENE		METAL		SHIPPING WEIGHT:	
±1% @ 68° F		DECIMAL ± .125" FRACTION ± 1/4" ANGLE ± 1°		FINISH:	



**Den Hartog**  
INDUSTRIES, INC.

Ace Roto-Mold Injection Molding Blow Molding Sowjoy

4010 HOSPERS DRIVE S. BOX 425, HOSPERS, IOWA 51238-0425

DESCRIPTION		50 GALLON PCO TANK	
SCALE	N.S.	PART NO.	PC0050-19S (SUMP) PC0050-19W (NO SUMP)