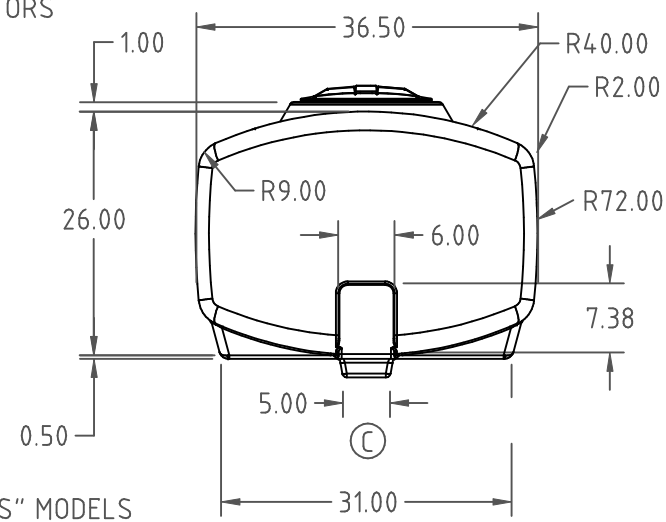
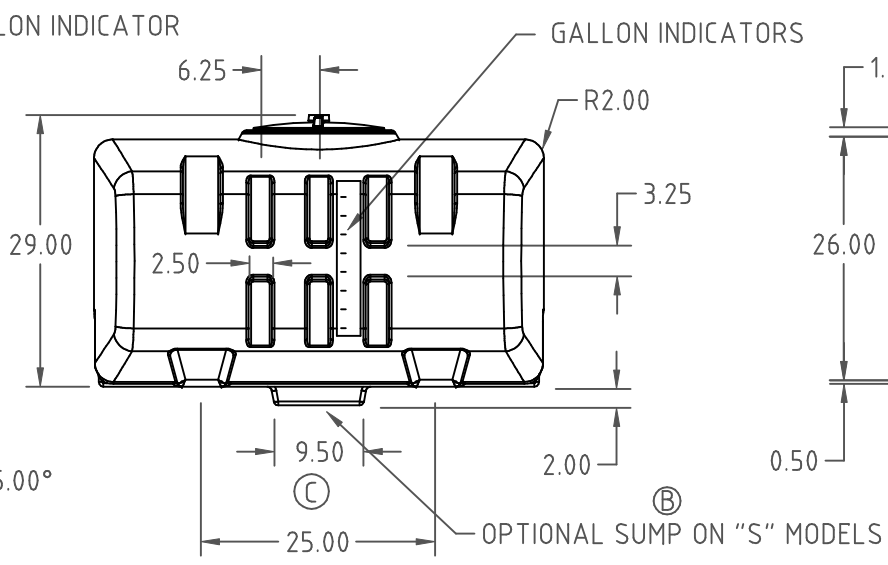
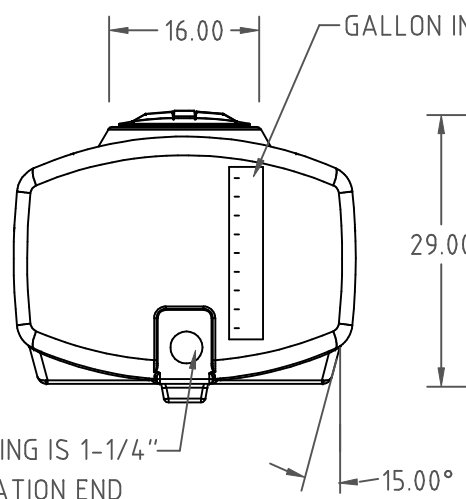
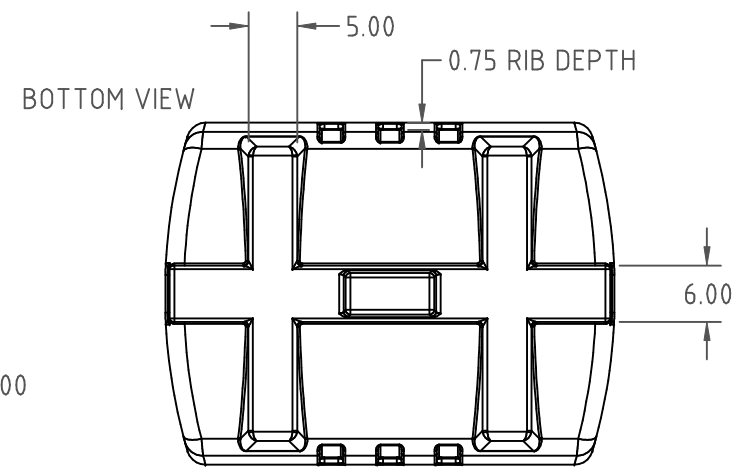
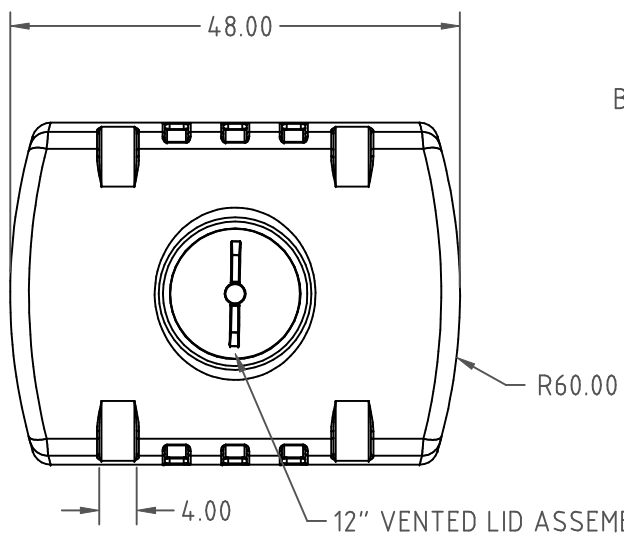




Copyright. All information furnished within this document, electronic file or design correspondence is the property of Den Hartog industries, Inc. and shall not be used, disclosed to others or copied without the expressed written consent of Den Hartog Industries, Inc.



STANDARD FITTING IS 1-1/4"
STANDARD LOCATION END
TANK WITH SUMP STANDARD
LOCATION IS IN SUMP

REV	DESCRIPTION	BY / DATE	CCN
C	SUMP MADE 1/2" LARGER	DHJ 1/12/10	2001
B	"S" MODEL WAS "M"	ADH 11/29/07	1533
A	CLARIFY FITTING LOCATIONS	2/17/06	

ALL DIMENSIONS ARE IN DECIMAL INCHES TOLERANCES UNLESS OTHERWISE SPECIFIED	THIRD ANGLE PROJECTION ANSI 14.5M
POLYETHYLENE ±1% @ 68° F	METAL DECIMAL ± .125" FRACTION ± 1/4" ANGLE ± 1°

DRAWN / DATE REH / 2/20/03	MATERIAL 1.) MOBIL 134
APPRD. / DATE DHJ / 2/20/03	
SHOT WEIGHT: 61 LBS.	NOTES: 1.) NATURAL COLOR 2.) NOM. WALL .240
SHIPPING WEIGHT:	
FINISH:	

Den Hartog

INDUSTRIES, INC.

Ace Roto-Mold Injection Molding Blow Molding Sowjoy
4010 HOSPERS DRIVE S. BOX 425, HOSPERS, IOWA 51238-0425

DESCRIPTION 150 GALLON PCO TANK	
SCALE N.S.	PART NO. PC0150-37S (SUMP) PC0150-37W (NO SUMP)