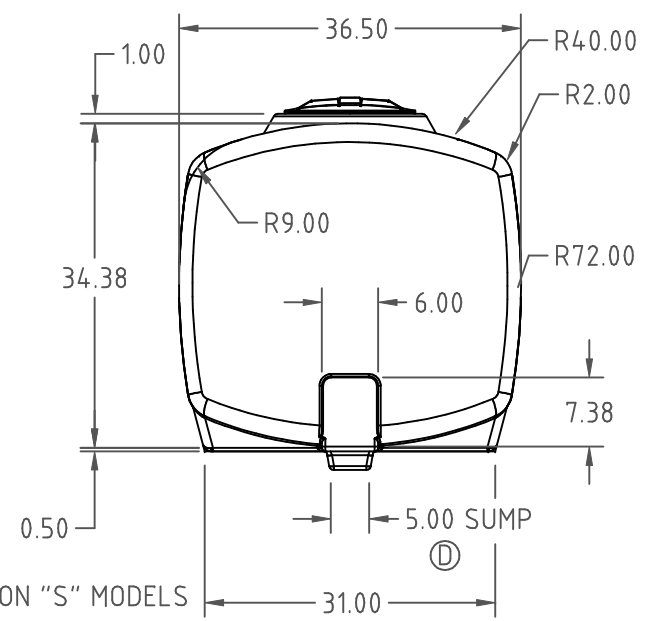
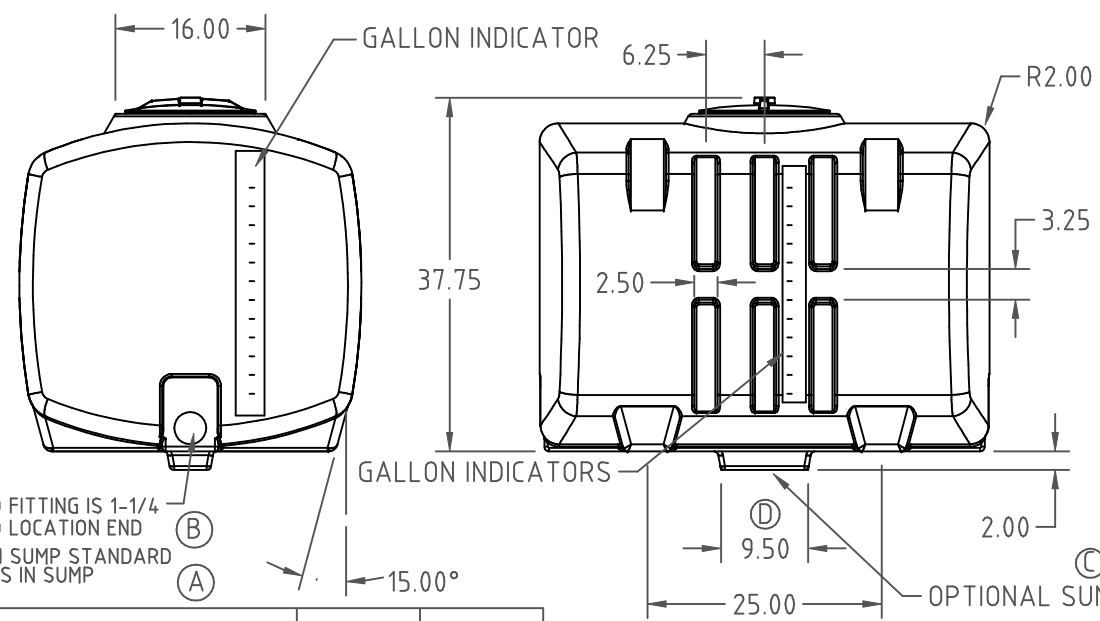
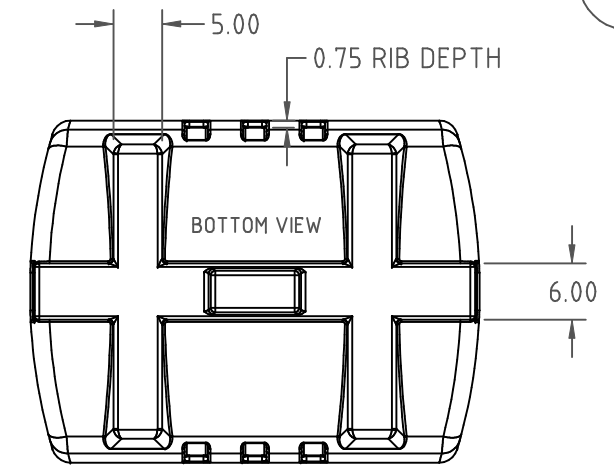
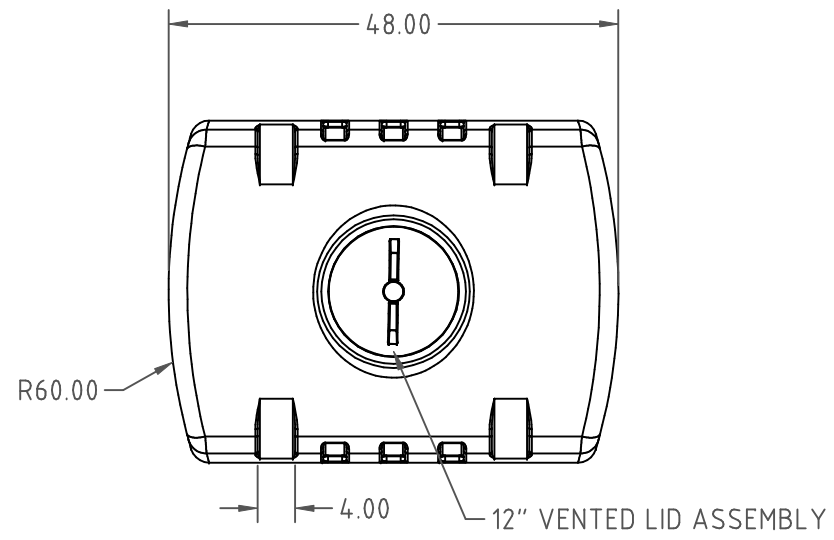


Copyright. All information furnished within this document, electronic file or design correspondence is the property of Den Hartog industries, Inc. and shall not be used, disclosed to others or copied without the expressed written consent of Den Hartog Industries, Inc.




STANDARD FITTING IS 1-1/4
STANDARD LOCATION END
TANK WITH SUMP STANDARD
LOCATION IS IN SUMP

(B)
(A)

D	SUMP MADE 1/2" LARGER	REH 9/9/09	2001
C	"S" MODEL WAS "M"	ADH 11/29/07	1533
B	CORRECT FITTING TO 1 1/4	2/6/07	
A	CLARIFY FITTING LOCATION	2/17/06	
REV	DESCRIPTION	BY / DATE	CCN
ALL DIMENSIONS ARE IN DECIMAL INCHES TOLERANCES UNLESS OTHERWISE SPECIFIED		THIRD ANGLE PROJECTION ANSI 14.5M	
POLYETHYLENE		SHOT WEIGHT: 82 LBS.	
METAL DECIMAL ± .125" FRACTION ± 1/4" ANGLE ± 1°		SHIPPING WEIGHT:	
±1% @ 68° F		FINISH:	

DRAWN / DATE REH / 5/8/02	MATERIAL 1.) MOBIL 134
APPRD. / DATE DHJ / 5/8/02	
NOTES: 1.) NATURAL COLOR 2.) NOM. WALL .270	



Den Hartog

INDUSTRIES, INC.

Ace Roto-Mold Injection Molding Blow Molding Sowjoy
4010 HOSPERS DRIVE S. BOX 425, HOSPERS, IOWA 51238-0425

DESCRIPTION 200 GALLON PCO TANK	
SCALE N.S.	PART NO. PC0200-37S (SUMP) PC0200-37W (NO SUMP)