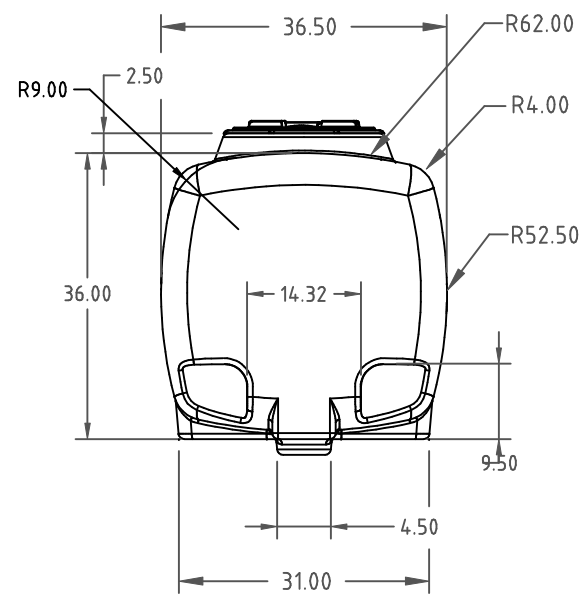
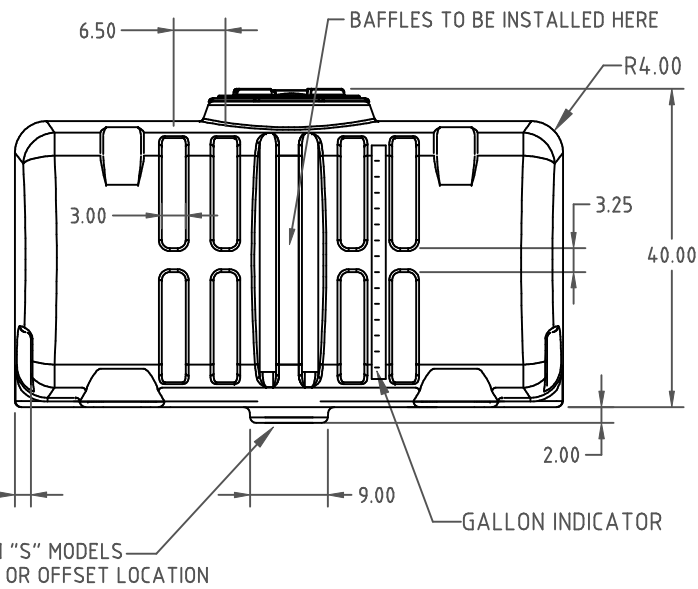
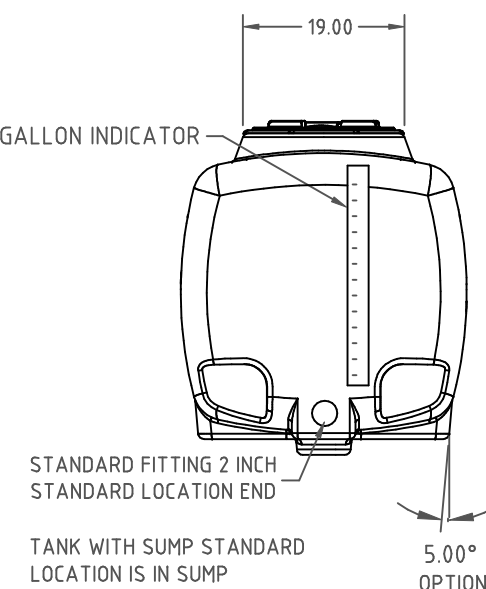
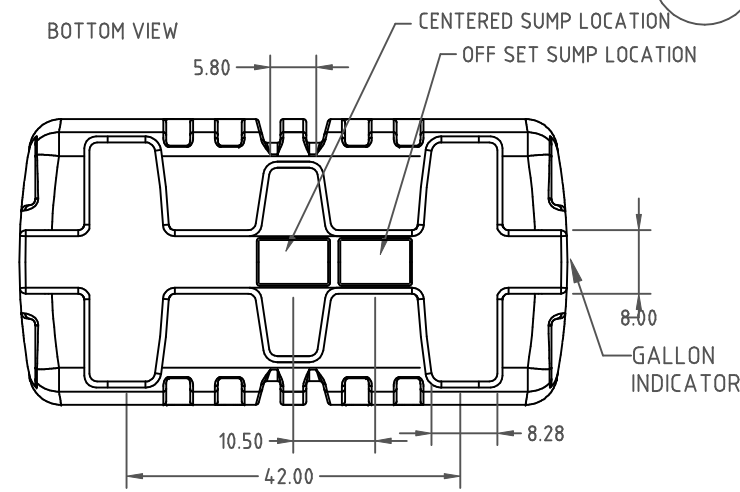
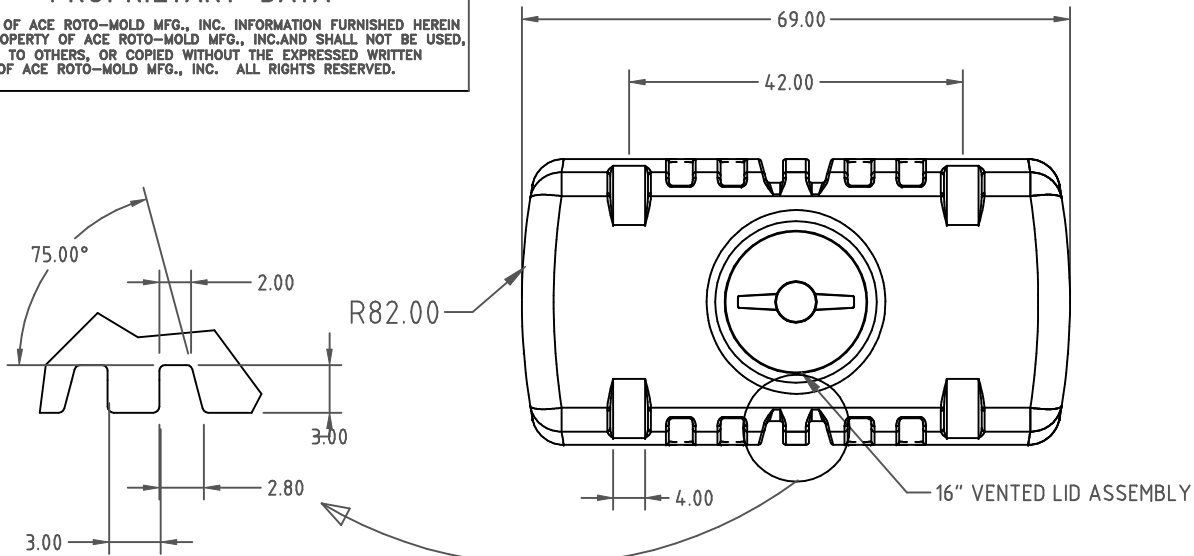


PROPRIETARY DATA

PROPERTY OF ACE ROTO-MOLD MFG., INC. INFORMATION FURNISHED HEREIN IS THE PROPERTY OF ACE ROTO-MOLD MFG., INC. AND SHALL NOT BE USED, DISCLOSED TO OTHERS, OR COPIED WITHOUT THE EXPRESSED WRITTEN CONSENT OF ACE ROTO-MOLD MFG., INC. ALL RIGHTS RESERVED.

PC0300-37

B



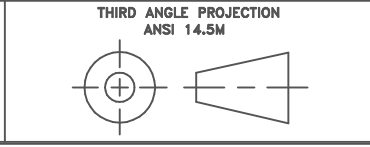
B	P.N./NOTE UPDATED CCN 1533	ADH	11/29/07
A	CLARIFY FITTING LOCATIONS	2/17/06	
REV	DESCRIPTION	DATE	APPRD

DRAWN / DATE	REH / 10/11/02
APPRD. / DATE	DHJ / 10/11/02

MATERIAL
134 LB. MOBIL 134

ACE ROTO MOLD
A DIVISION OF DEN HARTOG INDUSTRIES, INC.
4010 HOSPERS DRIVE SOUTH, BOX 425, HOSPERS, IOWA 51238

ALL DIMENSIONS ARE IN DECIMAL INCHES
TOLERANCES UNLESS OTHERWISE SPECIFIED
± .5% @ 68° F



NOTES:
1. NATURAL COLOR
2. NOM. WALL .320

CLIENT / DESCRIPTION
300 GALLON PCO TANK

SCALE
N.S.

PART NO.
PC0300-37S (SUMP)
PC0300-37W (NO SUMP)