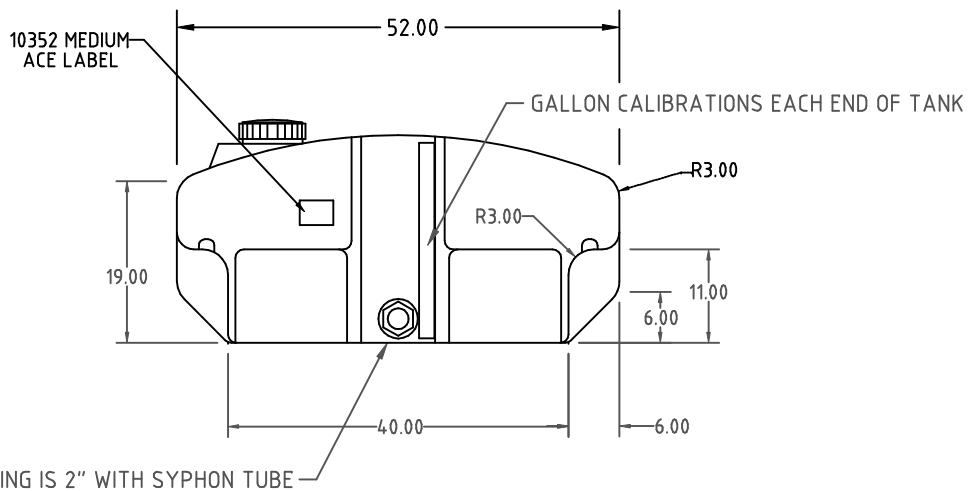
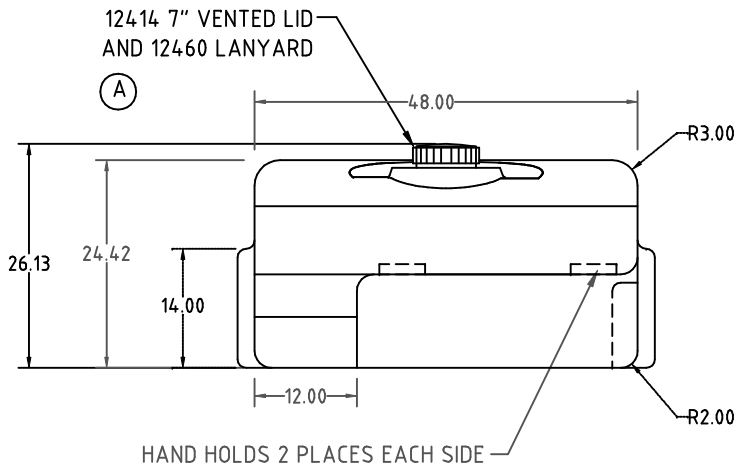
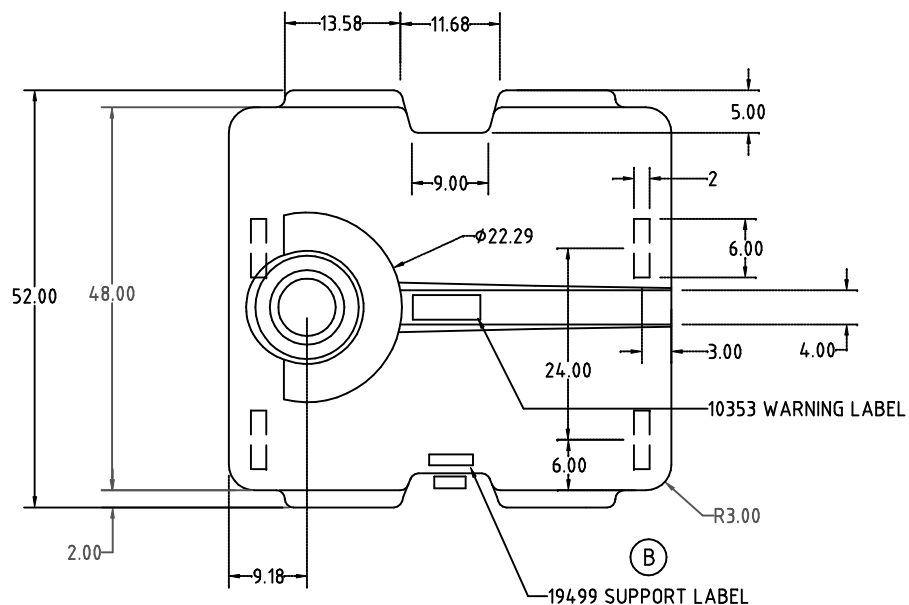



Copyright. All information furnished within this document, electronic file or design correspondence is the property of Den Hartog Industries, Inc. and shall not be used, disclosed to others or copied without the expressed written consent of Den Hartog Industries, Inc.



REV	DESCRIPTION	BY / DATE	CCN
B	ADDED 19499 LABEL	10/11/10	CCN2096
A	ADDED LANYARD	8/7/06	CCN1363
ALL DIMENSIONS ARE IN DECIMAL INCHES TOLERANCES UNLESS OTHERWISE SPECIFIED		THIRD ANGLE PROJECTION ANSI 14.5M	
POLYETHYLENE		METAL	
±1% @ 68° F		DECIMAL ± .125" FRACTION ± 1/4" ANGLE ± 1°	

DRAWN / DATE	MATERIAL
DHJ 1/5/07	10420 3 MELT
APPRD. / DATE	
REH 2/6/07	
SHOT WEIGHT:	NOTES:
85 LB.	1. NOM. WALL = .225.
SHIPPING WEIGHT:	
87 LB.	
FINISH:	



Den Hartog

INDUSTRIES, INC.
Ace Roto-Mold Injection Molding Blow Molding Sowjoy
4010 HOSPERS DRIVE S. BOX 425, HOSPERS, IOWA 51238-0425

DESCRIPTION	205 GALLON PICKUP TANK		
SCALE	N.S.	PART NO.	PU0205-52