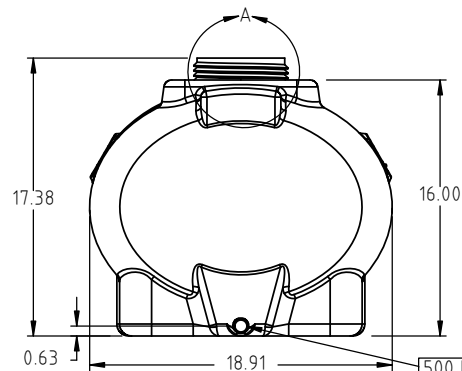


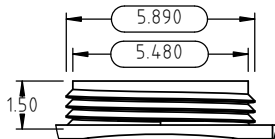
SB00030

© DEN HARTOG INDUSTRIES, INC.

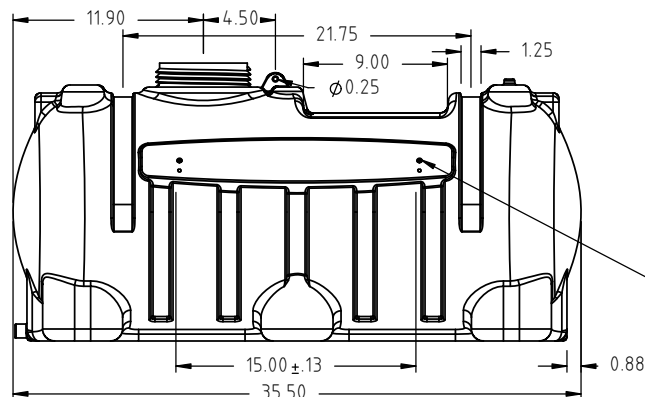
Copyright. All information furnished within this document, electronic file or design correspondence is the property of Den Hartog industries, Inc. and shall not be used, disclosed to others or copied without the expressed written consent of Den Hartog Industries, Inc.



500 BORE THRU THREADED BOSS

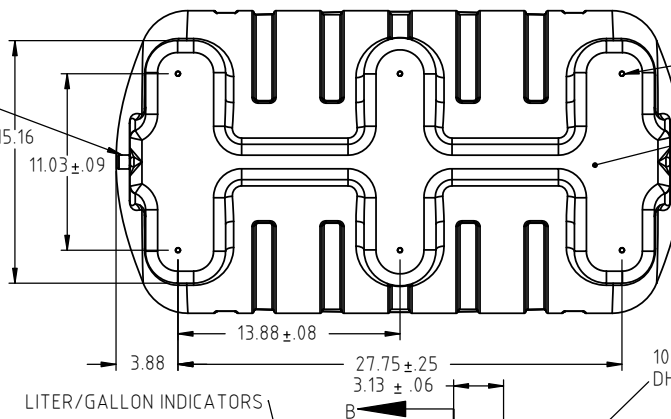


DETAIL A
SCALE 1: 6
5" BUTTRESS THREAD DETAIL



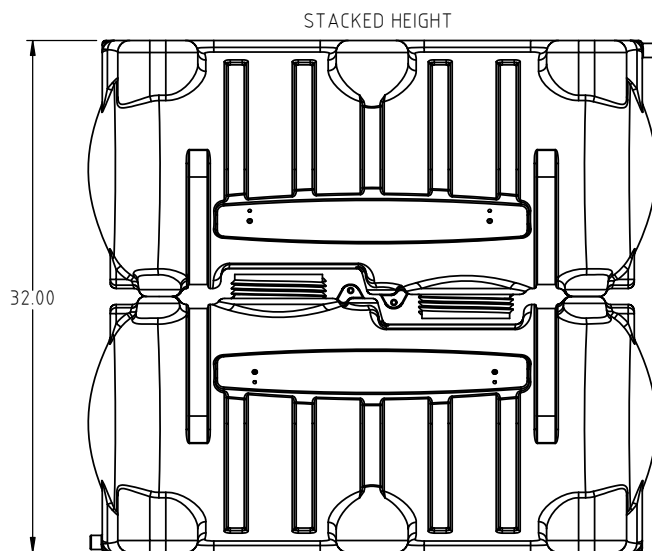
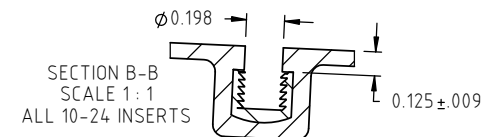
10-24 UNC THREADED BRASS INSERTS X 2
(THIS SIDE ONLY) DHI P.N. 19001

EXCEPT AS NOTED TOLERANCES ARE ± 2%
OF DIMENSION NOTED



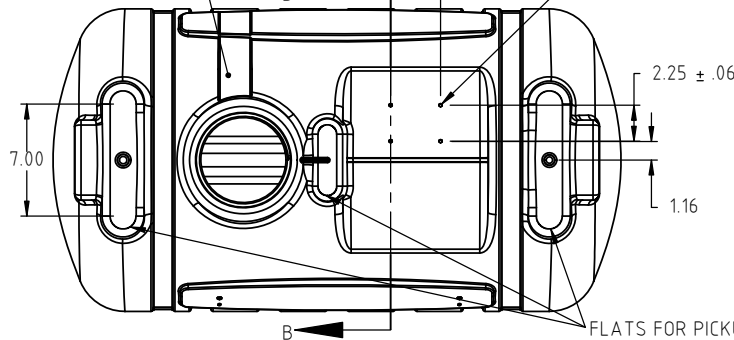
.313-18 UNC THREADED NYLON INSERTS X 6
DHI P.N. 19382

TANK BOTTOM SURFACE TO BE FLAT
WITHIN .25 T.I.R.

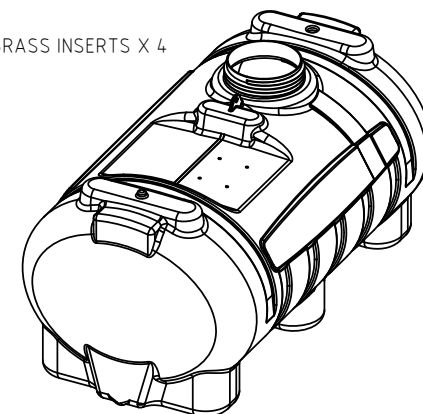


10-24 UNC THREADED BRASS INSERTS X 4
DHI P.N. 19001


LITER/GALLON INDICATORS



FLATS FOR PICKUP/RETURN LINE PLACEMENT
AND STACKING FOR SHIPPING



REV	DESCRIPTION	BY / DATE	CCN	DRAWN / DATE ADH 4/25/13	MATERIAL EQUISTAR 5704
				APPRD. / DATE REH 5/31/13	
				SHOT WEIGHT: 13 LBS.	NOTES: 1.) MIN. WALL .080
				SHIPPING WEIGHT: 13 LBS	
				FINISH:	



Den Hartog INDUSTRIES, INC.

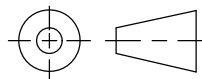
Ace Roto-Mold Injection Molding Blow Molding Sowjoy

4010 HOSPERS DRIVE S. BOX 425, HOSPERS, IOWA 51238-0425

DESCRIPTION	30 GAL. SPOT SPRAYER TANK (BLOW MOLDED)	
SCALE	N.S.	PART NO. SB00030

ALL DIMENSIONS ARE IN DECIMAL INCHES
TOLERANCES UNLESS OTHERWISE SPECIFIED

THIRD ANGLE PROJECTION
ANSI 14.5M



POLYETHYLENE METAL
DECIMAL ± .125"
FRACTION ± 1/4"
ANGLE ± 1°
±1% @ 68°F