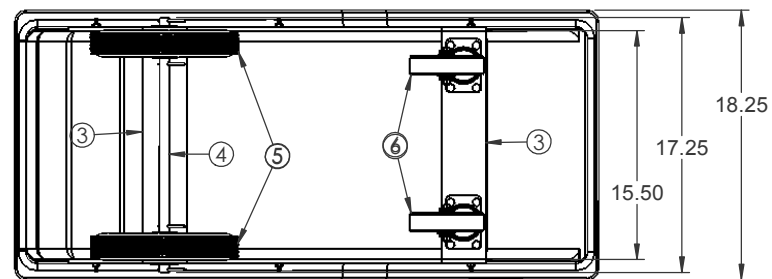
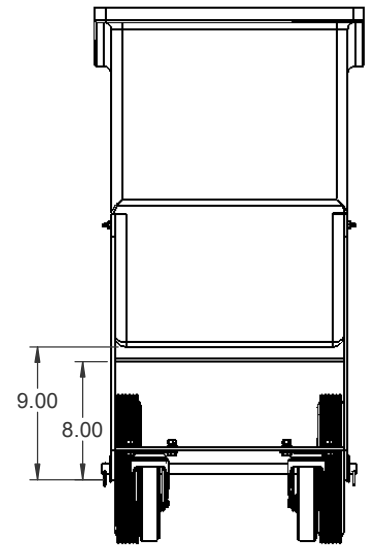
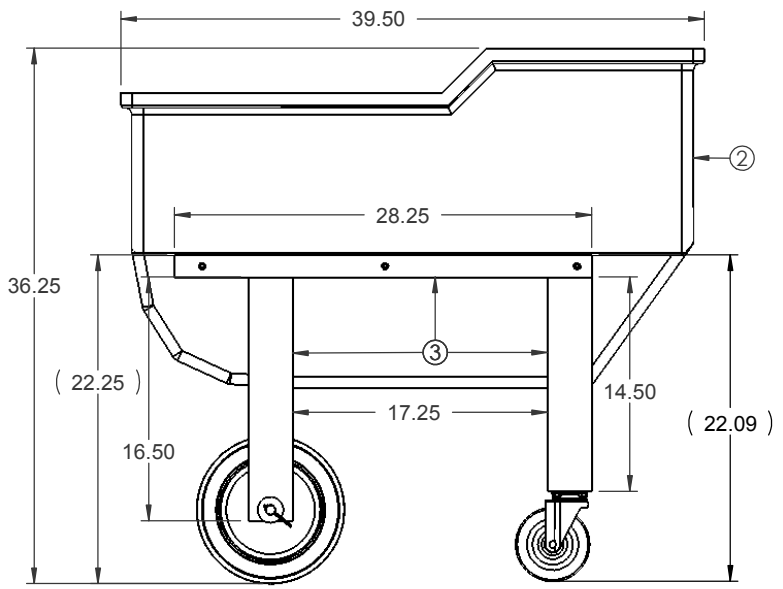


PROPRIETARY DATA

PROPERTY OF DEN HARTOG MFG., INC. INFORMATION FURNISHED HEREIN IS THE PROPERTY OF ACE ROTO-MOLD MFG., INC. AND SHALL NOT BE USED, DISCLOSED TO OTHERS, OR COPIED WITHOUT THE EXPRESSED WRITTEN CONSENT OF ACE ROTO-MOLD MFG., INC. ALL RIGHTS RESERVED.

KEY	PART NUMBER	DESCRIPTION	QTY.
1	BB10183	BOLT BAG	1
2	SJ-10193	FEED CART TUB	1
3	SJ15007	STANDARD CART WELDMNT	1
4	SJ15015	REAR WHEEL SHAFT	1
5	SJ10469294	WHEEL, 10"X 1.75"	2
6	SJ42115020	WHEEL, 5"X 1.25"	2

SJ-10183



				DRAWN / DATE ADH 10/23/07	MATERIAL
				APPRD. / DATE REH 1/3/08	
REV	DESCRIPTION	BY / DATE	CCN		
ALL DIMENSIONS ARE IN DECIMAL INCHES TOLERANCES UNLESS OTHERWISE SPECIFIED DECIMAL ± .125" FRACTION ± 1/4" ANGLE ± 1°				THIRD ANGLE PROJECTION ANSI 14.5M 	NOTES:



**Den Hartog**  
INDUSTRIES, INC.

Ace Roto-Mold Injection Molding Blow Molding Sowjoy  
4010 HOSPERS DRIVE S. BOX 425, HOSPERS, IOWA 51238-0421

DESCRIPTION	STANDARD FEED CART	
SCALE	N.S.	PART NO. SJ-10183