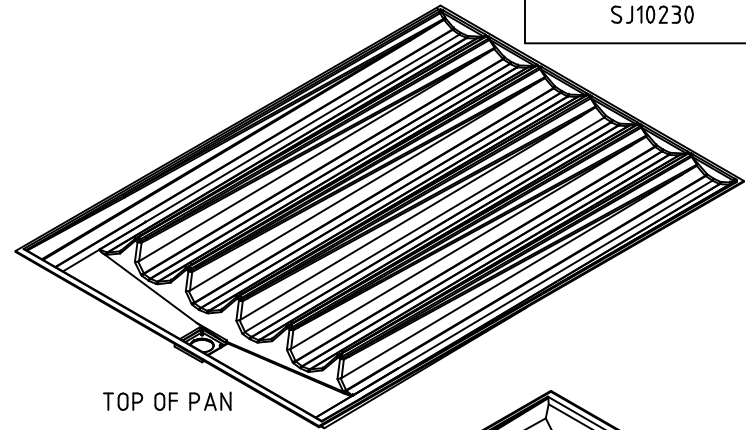
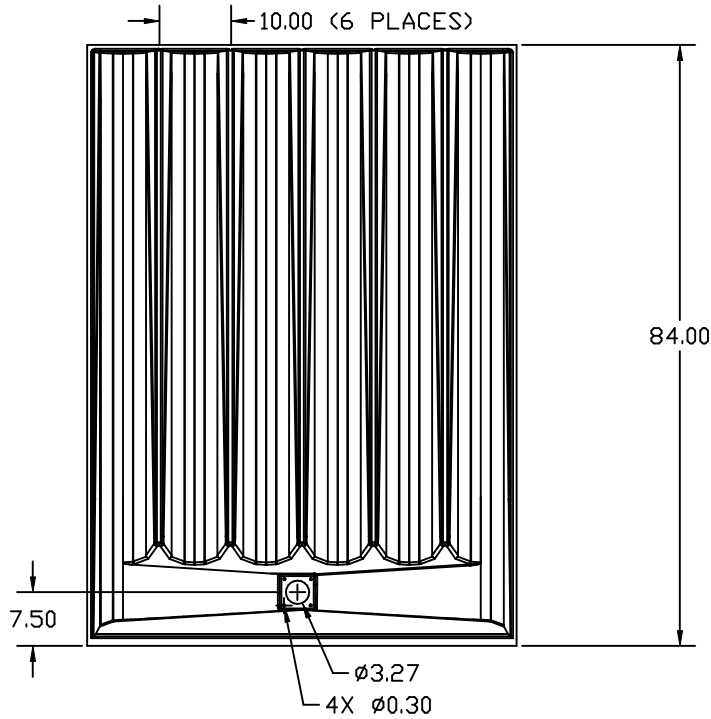


PROPRIETARY DATA

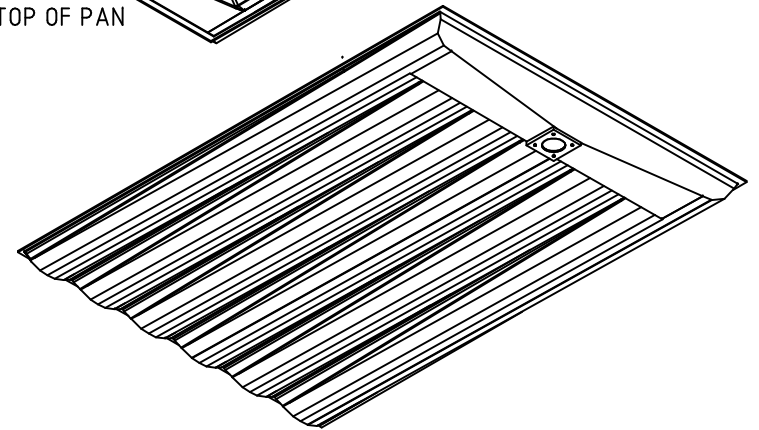
PROPERTY OF ACE ROTO-MOLD MFG., INC. INFORMATION FURNISHED HEREIN IS THE PROPERTY OF ACE ROTO-MOLD MFG., INC. AND SHALL NOT BE USED, DISCLOSED TO OTHERS, OR COPIED WITHOUT THE EXPRESSED WRITTEN CONSENT OF ACE ROTO-MOLD MFG., INC. ALL RIGHTS RESERVED.

SJ10230

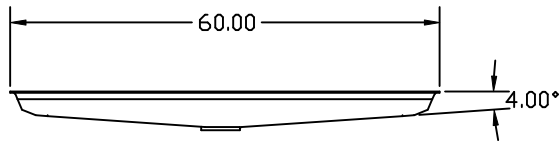
B



TOP OF PAN



BOTTOM OF PAN



				DRAWN / DATE NVE 8/18/05		MATERIAL	
B	TOLERANCE WAS 1% @ 68° F	2/23/07	GWC	APPRD. / DATE DLM 8/24/05		USE 11017 REGRIND (A)	
A	MATERIAL CHANGED TO REGRIND	12/13/06	CCN1205				
REV	DESCRIPTION	DATE	APPRD				
ALL DIMENSIONS ARE IN DECIMAL INCHES TOLERANCES UNLESS OTHERWISE SPECIFIED DECIMAL +/- .125" FRACTION +/- 1/8" ANGLE +/- 2°				THIRD ANGLE PROJECTION ANSI 14.5M 		NOTES: 1. BLACK COLOR 2. SHOT WEIGHT 37 LBS. 2. NOM. WALL @ .200	

ACE ROTO-MOLD
 A DIVISION OF DEN HARTOG INDUSTRIES, INC.
 4018 HWY. 60 BLVD., BOX 421, HOSPER, IOWA 51238

CLIENT / DESCRIPTION 5' X 7' FLUSH PAN	
SCALE N.S.	PART NO. SJ10230