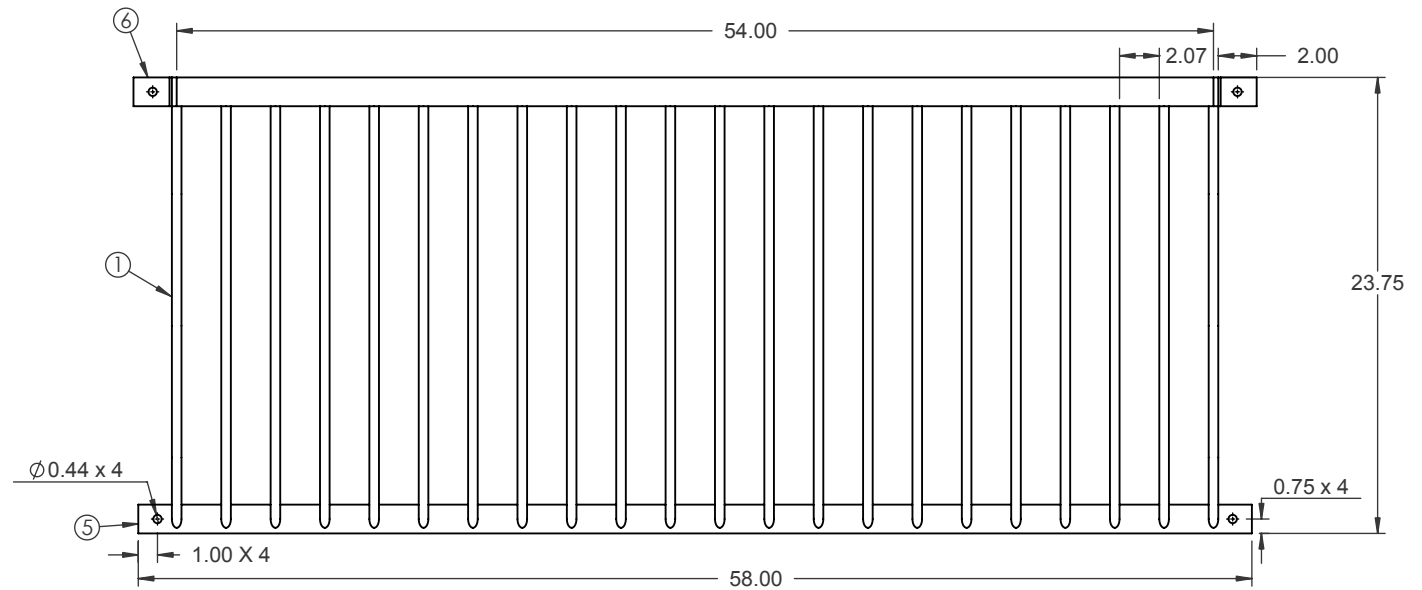
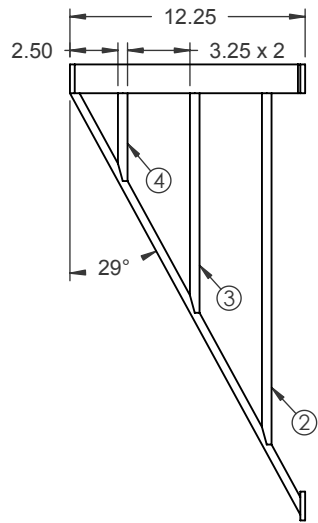


PROPRIETARY DATA

PROPERTY OF DEN HARTOG MFG., INC. INFORMATION FURNISHED HEREIN IS THE PROPERTY OF ACE ROTO-MOLD MFG., INC. AND SHALL NOT BE USED, DISCLOSED TO OTHERS, OR COPIED WITHOUT THE EXPRESSED WRITTEN CONSENT OF ACE ROTO-MOLD MFG., INC. ALL RIGHTS RESERVED.

KEY	MATERIAL	DESCRIPTION	QTY.
1	R05000	ROD, 1/2"	22 @ 24.5"(539 IN)
2	R05000	ROD, 1/2"	2 @ 18"(36 IN)
3	R05000	ROD, 1/2"	2 @ 11"(22 IN)
4	R05000	ROD, 1/2"	2 @ 4"(8 IN)
5	B02500X15000	FLAT, 1/4"X1 1/2"	58 IN
6	B02500X15000	FLAT, 1/4"X1 1/2"	82 IN

SJ13110



REV	DESCRIPTION	BY / DATE	CCN

DRAWN / DATE ADH 8/21/07	MATERIAL
APPRD. / DATE ADH 11/15/07	

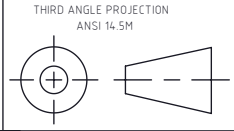


**Den Hartog**  
INDUSTRIES, INC.

Ace Roto-Mold Injection Molding Blow Molding Sowjoy  
4010 HOSPERS DRIVE S. BOX 425, HOSPERS, IOWA 51238-0421

ALL DIMENSIONS ARE IN DECIMAL INCHES  
TOLERANCES UNLESS OTHERWISE SPECIFIED

DECIMAL ± .125"  
FRACTION ± 1/4"  
ANGLE ± 1°



NOTES:

DESCRIPTION	54 INCH FAN GUARD FOR 36 INCH FAN	
SCALE	N.S.	PART NO. SJ13110