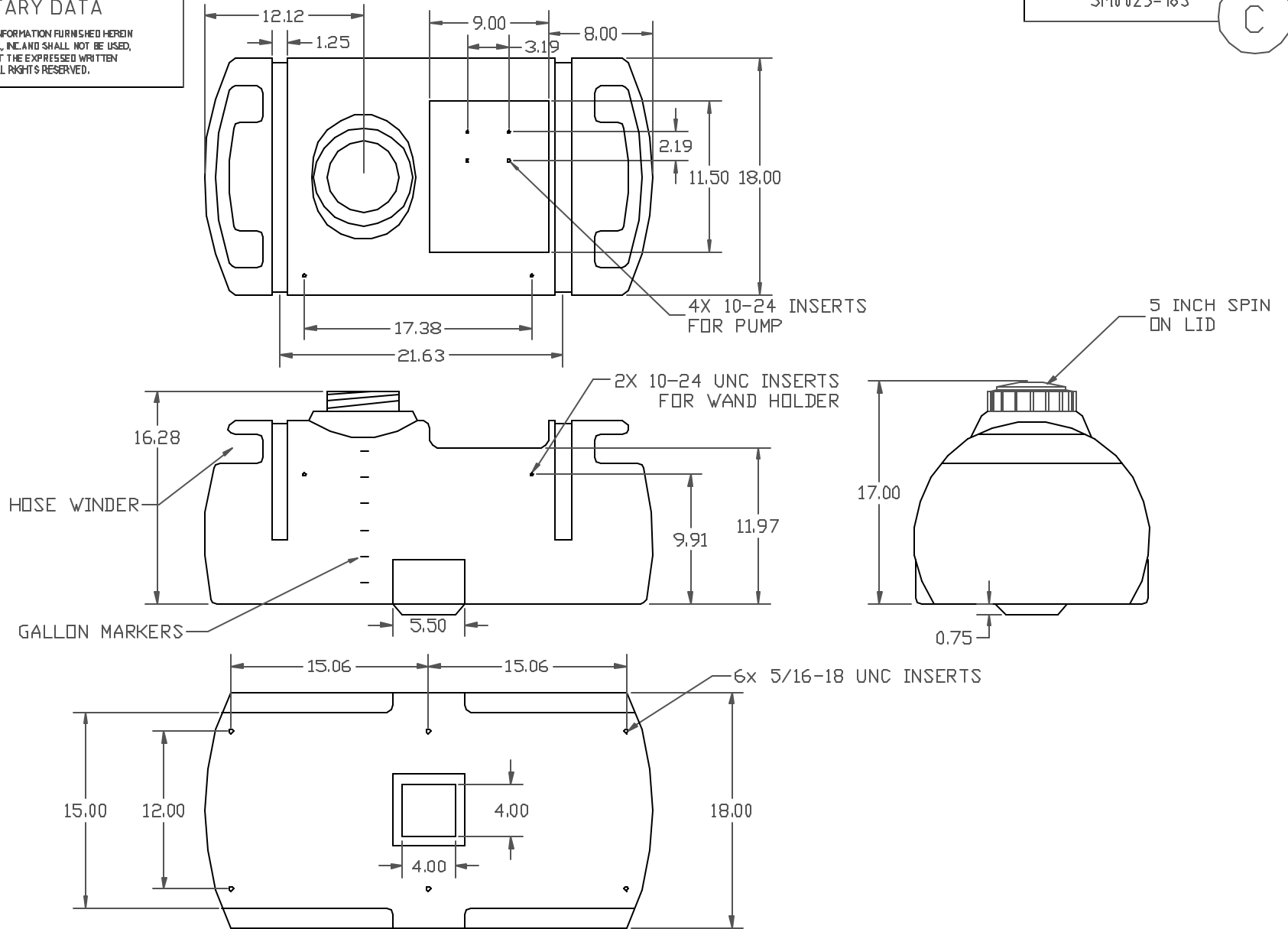

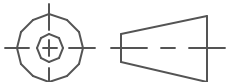


PROPRIETARY DATA

PROPERTY OF ACE ROTO-MOLD MFG., INC. INFORMATION FURNISHED HEREIN IS THE PROPERTY OF ACE ROTO-MOLD MFG., INC. AND SHALL NOT BE USED, DISCLOSED TO OTHERS, OR COPIED WITHOUT THE EXPRESSED WRITTEN CONSENT OF ACE ROTO-MOLD MFG., INC. ALL RIGHTS RESERVED.

SM0025-18S



C	CHANGE PART # CCN1292	4/9/07	DRAWN / DATE	MATERIAL	 ACE ROTO-MOLD A DIVISION OF DEN HARTOG INDUSTRIES, INC. 4 118 HWY. 60 BLVD., BOX 421, HOSPERS, IOWA 51238
B	ADD OVERALL HEIGHT DIM	2/26/07	DHJ 9/16/13		
A	CHANGE PART #	9/28/06	APPRD. / DATE	HDPE OR EQUIVALENT REFERENCE MATERIAL DATA SHEET FOR SPECIFIC PROPERTIES.	CLIENT / DESCRIPTION
REV	DESCRIPTION	DATE	REH 4/11/17		
ALL DIMENSIONS ARE IN DECIMAL INCHES TOLERANCES UNLESS OTHERWISE SPECIFIED ± 1% @ 68° F			THIRD ANGLE PROJECTION ANSI 14.5M 	NOTES: 1. .175 NOM. WALL 2. SHOT WEIGHT 13 LBS.	25 GALLON SPOT SPRAYER WITH SUMP
				SCALE	PART NO.
				N.S.	SM0025-18S