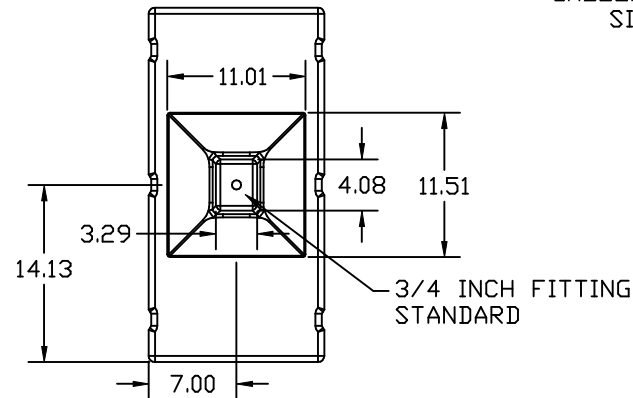
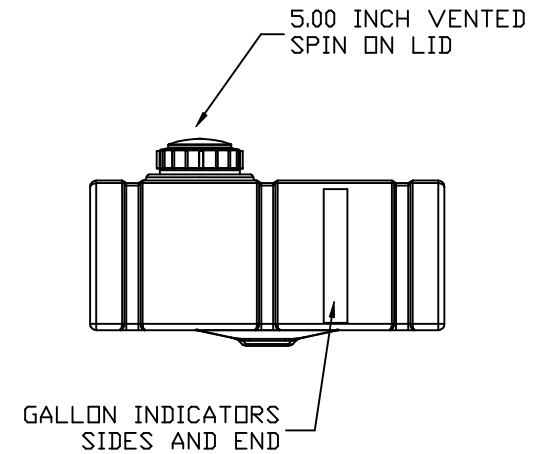
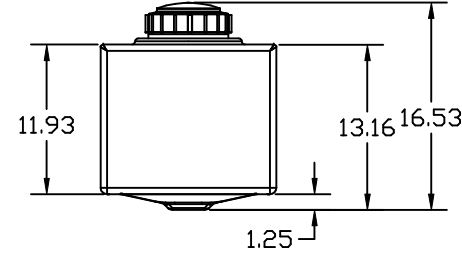
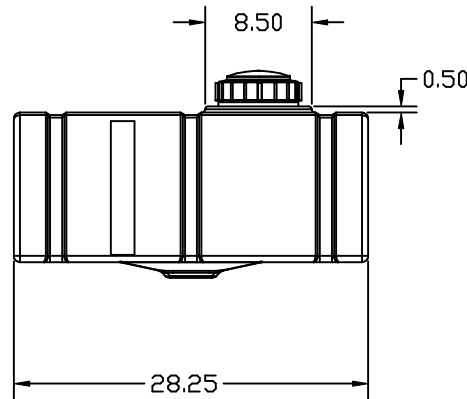
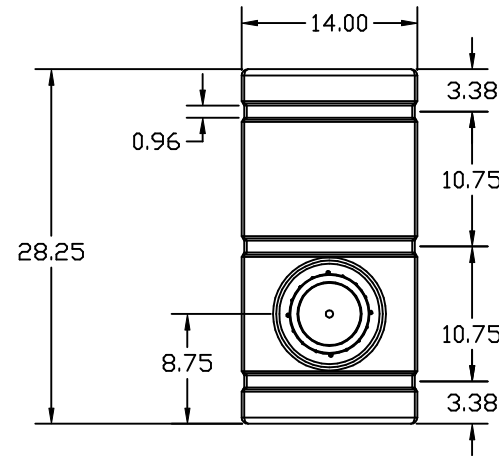
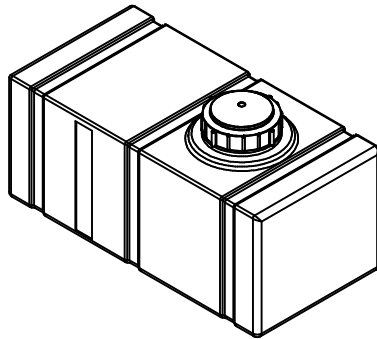



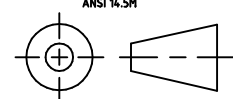
PROPRIETARY DATA

PROPERTY OF DEN HARTOG INDUSTRIES, INC. INFORMATION FURNISHED HEREIN IS THE PROPERTY OF DEN HARTOG INDUSTRIES, INC. AND SHALL NOT BE USED, DISCLOSED TO OTHERS, OR COPIED WITHOUT THE EXPRESSED WRITTEN CONSENT OF DEN HARTOG INDUSTRIES, INC. ALL RIGHTS RESERVED.

SP0020-LC

A



				DRAWN / DATE NVE 6/10/05	MATERIAL HDPE OR EQUIVALENT REFERENCE MATERIAL DATA SHEET FOR SPECIFIC PROPERTIES.		 ACE ROTO-MOLD A DIVISION OF DEN HARTOG INDUSTRIES, INC. 4018 HWY. 60 BLVD., BOX 421, HOSPERS, IOWA 51238	
A	UPDATED PRINT, CHECKED DIMS	6/7/06	NVE	APPRD. / DATE DHJ 6/7/06			CLIENT / DESCRIPTION 20 GALLON RECTANGULAR APPLICATOR TANK - SUMPED	
REV	DESCRIPTION	DATE	APPRD			SCALE N.S.		PART NO. SP0020-LC
ALL DIMENSIONS ARE IN DECIMAL INCHES TOLERANCES UNLESS OTHERWISE SPECIFIED ± 1% @ 68° F				THIRD ANGLE PROJECTION ANSI 14.5M 		NOTES: 1. WHITE, YELLOW, OR BLACK COLOR 2. SHOT WEIGHT 11 LBS. 3. NOM. WALL @ .175		