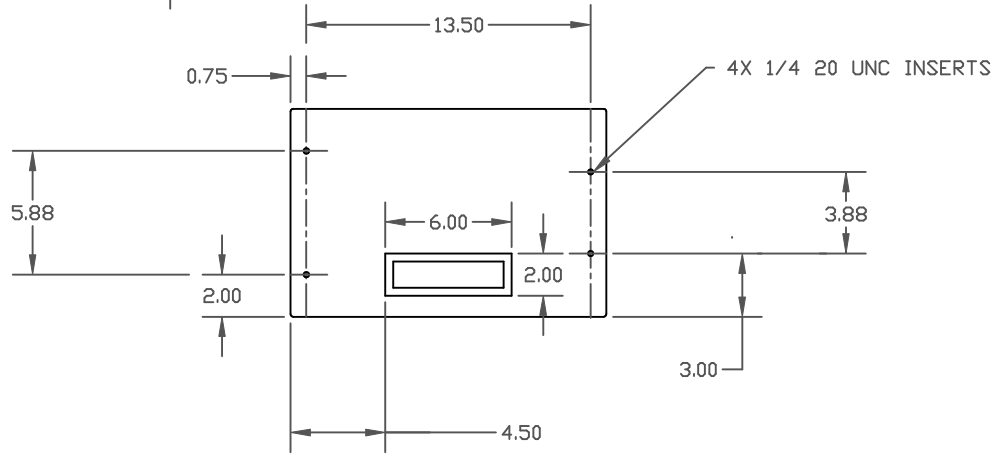
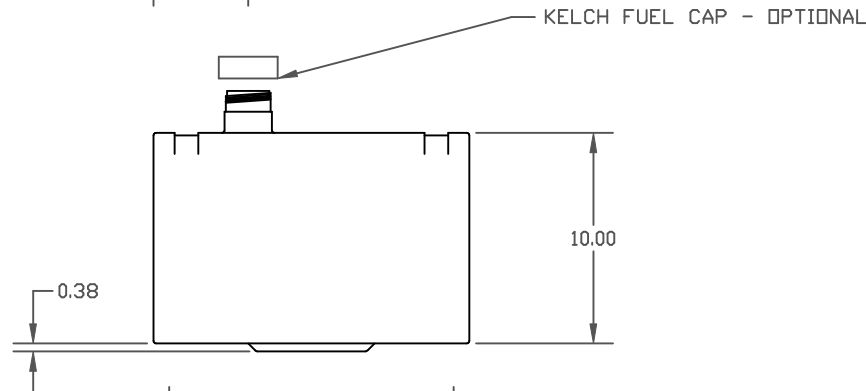
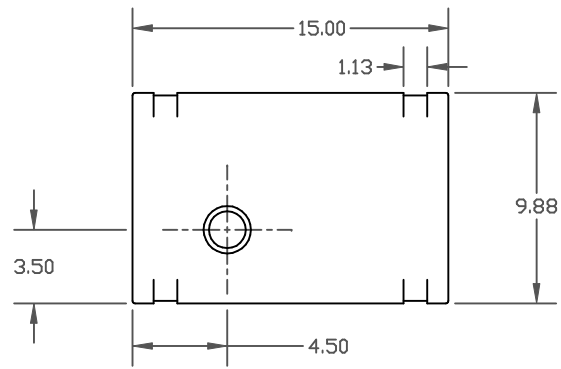


© DEN HARTOG INDUSTRIES, INC.

Copyright. All information furnished within this document, electronic file or design correspondence is the property of Den Hartog Industries Inc. and shall not be used, disclosed to others or copied without the expressed written consent of Den Hartog Industries, Inc.


DWG NO. SP006-FU SH REV A



REV	DESCRIPTION	DATE	APVD
A	REVISED INSERT DIM.	3/10/95	EDB
REVISIONS			
UDS DIMENSIONS ARE IN INCHES GENERAL TOLERANCES ± 1/32			

MATERIAL	4.2 LB. XLPE
UDS ALL RADII	.125
UDS SURFACE FINISH	✓
BREAK ALL EDGES	.01 x 45°

DRAWN	DHJ	DATE	11-30-93
CHECKED	ADH	DATE	11-16-07
APPROVED	ADH	DATE	11-16-07
THIRD ANGLE PROJECTION			



**Ace Roto-Mold**  
A DIVISION OF DEN HARTOG INDUSTRIES, INC.  
4018 HWY. 60 BLVD., BOX 421, HOSPERS, IOWA 51238

6 GAL FUEL TANK

SIZE	A	DWG NO.	SP006-FU	REV	A
SCALE	NONE		SHEET	OF	